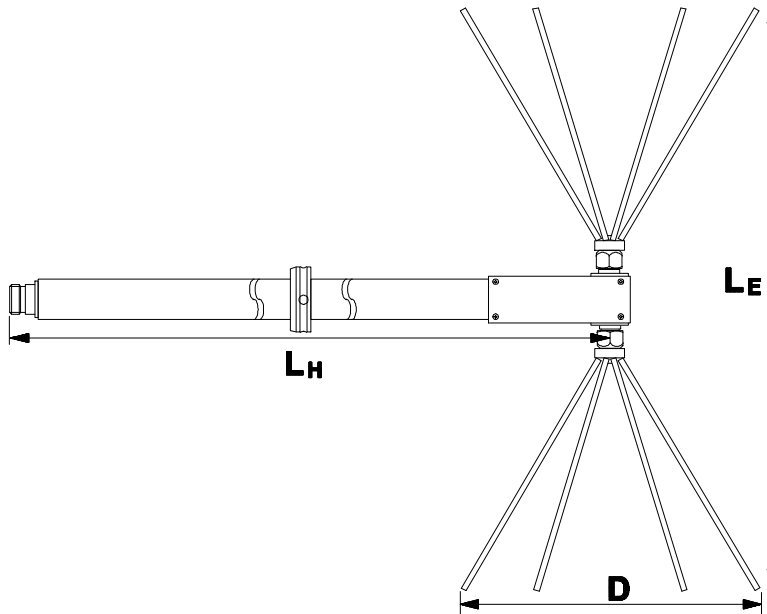


SCHWARZBECK MESS - ELEKTRONIK

An der Klinge 29 D-69250 Schönau Tel.: 06228/1001 Fax.: (49)6228/1003

VHF-UHF Balun / Halter UBAA 9114 mit Offenkonusen BBOC 9217 VHF-UHF Balun / Holder UBAA 9114 with Open Cone Elements BBOC 9217



$L_E = 390 \text{ mm}$, $D = 230 \text{ mm}$

Frequency MHz	Distance m	lambda m	Attenuation dB	Gain(Isotr.) dBi	Gain(Dipole) dBd	Ant.-Factor dB/m
30.00	2.50	10.00	72.60	-31.33	-33.48	31.09
35.00	2.50	8.57	70.15	-29.43	-31.58	30.54
40.00	2.50	7.50	68.30	-27.93	-30.08	30.19
45.00	2.50	6.67	65.90	-26.22	-28.37	29.50
50.00	2.50	6.00	63.40	-24.51	-26.66	28.71
60.00	2.50	5.00	58.90	-21.47	-23.62	27.25
70.00	2.50	4.29	55.20	-18.95	-21.10	26.07
80.00	2.50	3.75	52.00	-16.77	-18.92	25.05
90.00	2.50	3.33	49.50	-15.01	-17.16	24.31
100.00	2.50	3.00	47.10	-13.35	-15.50	23.57
110.00	2.50	2.73	44.96	-11.86	-14.02	22.91
120.00	2.50	2.50	43.20	-10.61	-12.76	22.41
130.00	2.50	2.31	41.55	-9.43	-11.58	21.93
140.00	2.50	2.14	39.96	-8.32	-10.47	21.46
150.00	2.50	2.00	38.78	-7.43	-9.58	21.17
160.00	2.50	1.88	37.65	-6.58	-8.73	20.88
170.00	2.50	1.76	36.70	-5.84	-7.99	20.67
180.00	2.50	1.67	36.05	-5.27	-7.42	20.60
190.00	2.50	1.58	35.35	-4.69	-6.84	20.48
200.00	2.50	1.50	34.65	-4.11	-6.26	20.35

SCHWARZBECK MESS - ELEKTRONIK

An der Klinge 29 D-69250 Schönau Tel.: 06228/1001 Fax.: (49)6228/1003

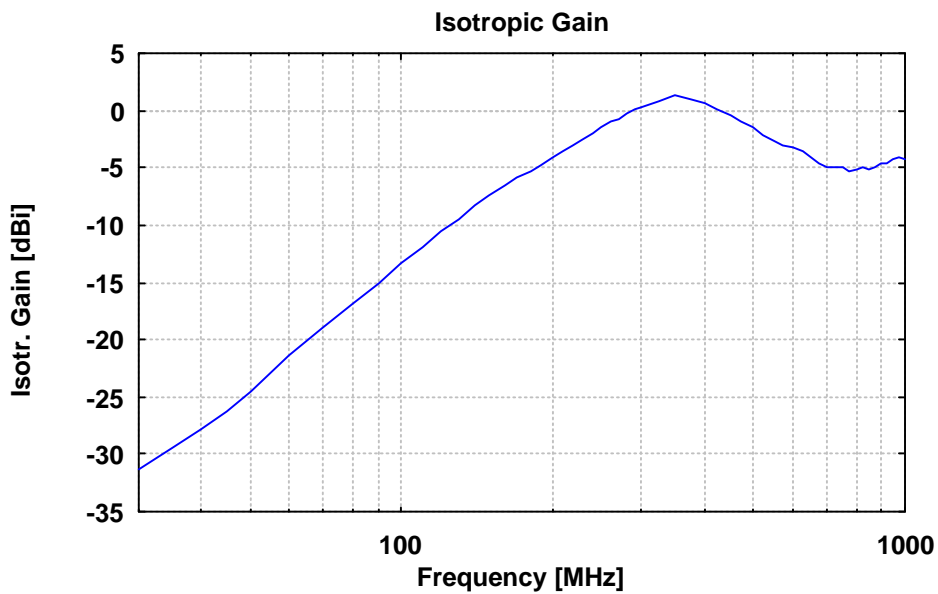
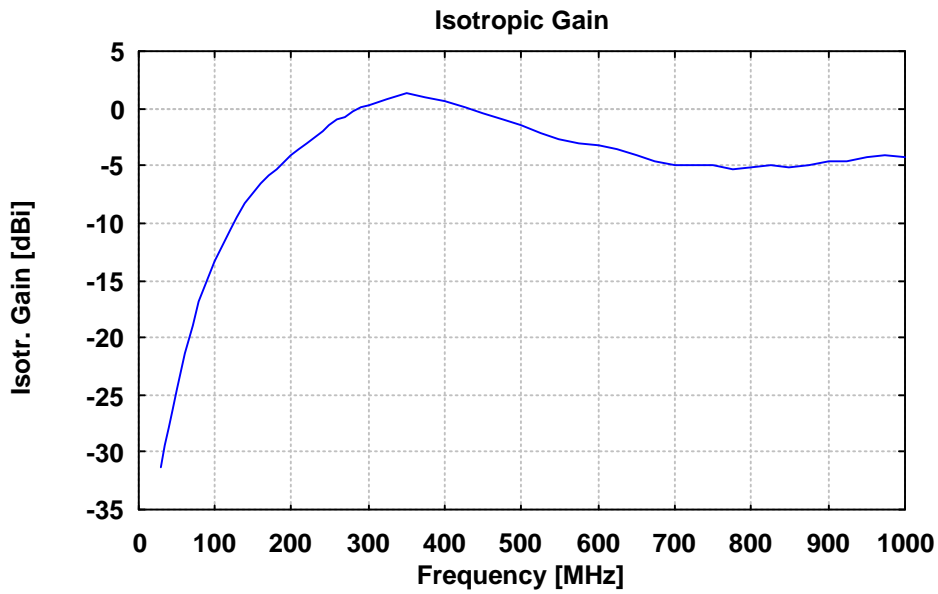
VHF-UHF Balun / Halter UBAA 9114 mit Offenkonusen BBOC 9217 VHF-UHF Balun / Holder UBAA 9114 with Open Cone Elements BBOC 9217

Frequency	Distance	lambda	Attenuation	Gain(Isotr.)	Gain(Dipole)	Ant.-Factor
MHz	m	m	dB	dBi	dBd	dB/m
210.00	2.50	1.43	34.08	-3.62	-5.77	20.28
220.00	2.50	1.36	33.30	-3.02	-5.17	20.09
230.00	2.50	1.30	32.60	-2.48	-4.63	19.94
240.00	2.50	1.25	32.00	-2.00	-4.15	19.82
250.00	2.50	1.20	31.30	-1.47	-3.62	19.65
260.00	2.50	1.15	30.67	-0.98	-3.13	19.50
270.00	2.50	1.11	30.39	-0.68	-2.83	19.53
280.00	2.50	1.07	29.85	-0.25	-2.40	19.41
290.00	2.50	1.03	29.50	0.08	-2.08	19.39
300.00	2.50	1.00	29.20	0.37	-1.78	19.39
325.00	2.50	0.92	28.95	0.85	-1.31	19.61
350.00	2.50	0.86	28.65	1.32	-0.83	19.78
375.00	2.50	0.80	29.80	1.04	-1.11	20.66
400.00	2.50	0.75	31.17	0.64	-1.51	21.62
425.00	2.50	0.71	32.77	0.10	-2.05	22.69
450.00	2.50	0.67	34.10	-0.32	-2.47	23.60
475.00	2.50	0.63	35.70	-0.88	-3.03	24.63
500.00	2.50	0.60	37.35	-1.48	-3.63	25.68
525.00	2.50	0.57	39.00	-2.10	-4.25	26.72
550.00	2.50	0.55	40.55	-2.67	-4.82	27.70
575.00	2.50	0.52	41.65	-3.03	-5.18	28.44
600.00	2.50	0.50	42.55	-3.29	-5.44	29.07
625.00	2.50	0.48	43.50	-3.59	-5.74	29.73
650.00	2.50	0.46	44.90	-4.12	-6.27	30.60
675.00	2.50	0.44	46.05	-4.53	-6.68	31.34
700.00	2.50	0.43	47.20	-4.95	-7.10	32.07
725.00	2.50	0.41	47.60	-4.99	-7.15	32.42
750.00	2.50	0.40	47.90	-5.00	-7.15	32.72
775.00	2.50	0.39	48.70	-5.25	-7.41	33.26
800.00	2.50	0.38	48.60	-5.07	-7.22	33.35
825.00	2.50	0.36	48.75	-5.01	-7.16	33.56
850.00	2.50	0.35	49.20	-5.10	-7.25	33.91
875.00	2.50	0.34	49.25	-5.00	-7.15	34.06
900.00	2.50	0.33	48.60	-4.56	-6.71	33.86
925.00	2.50	0.32	49.00	-4.64	-6.79	34.18
950.00	2.50	0.32	48.50	-4.27	-6.42	34.05
975.00	2.50	0.31	48.30	-4.06	-6.21	34.06
1000.00	2.50	0.30	48.70	-4.15	-6.30	34.37
Frequency	Distance	lambda	Attenuation	Gain(Isotr.)	Gain(Dipole)	Ant.-Factor
MHz	m	m	dB	dBi	dBd	dB/m

SCHWARZBECK MESS - ELEKTRONIK

An der Klinge 29 D-69250 Schönau Tel.: 06228/1001 Fax.: (49)6228/1003

VHF-UHF Balun / Halter UBAA 9114 mit Offenkonusen BBOC 9217
VHF-UHF Balun / Holder UBAA 9114 with Open Cone Elements BBOC 9217

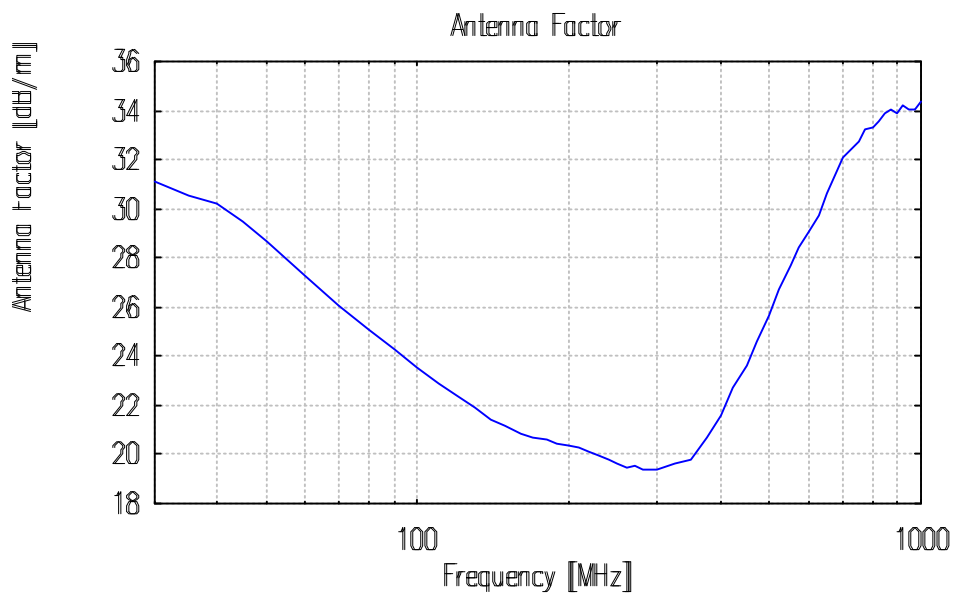
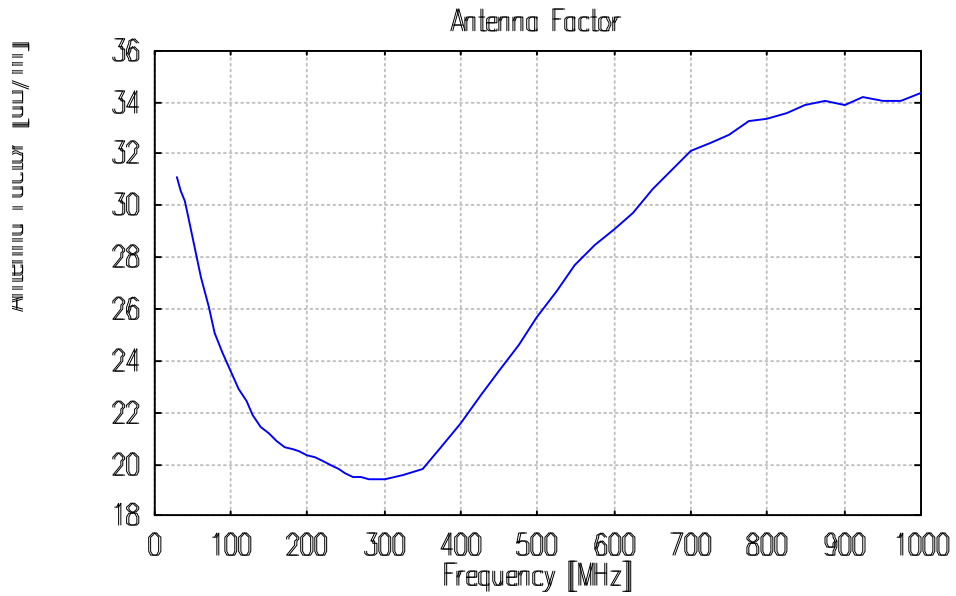


UBAA 9114 / BBOC 9217 (01215) Isotropgewinn (Freiraum) *Isotropic Gain dBi*

SCHWARZBECK MESS - ELEKTRONIK

An der Klinge 29 D-69250 Schönau Tel.: 06228/1001 Fax.: (49)6228/1003

VHF-UHF Balun / Halter UBAA 9114 mit Offenkonusen BBOC 9217
VHF-UHF Balun / Holder UBAA 9114 with Open Cone Elements BBOC 9217



UBAA 9114 / BBOC 9217 (01215), Antennen-Wandlungsmaß dB(1/m) *Antenna Factor dB/m*