

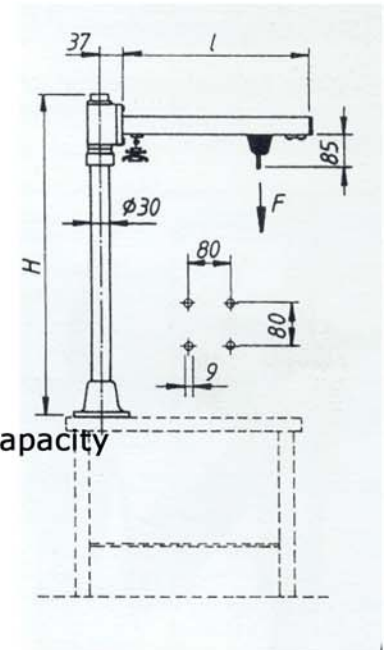
SESD 30 T 1000

Support arm with balancer for ESD testing station

- Support arm with carriage
- 360 degrees swiveling

The carriage can be positioned any where between the column to the end of the support arm.

Type	L = Length	H = Height	F = max. load-bearing capacity
STLW-1000	1.000 mm	1.600 mm	3 kg



Balancer for weight neutralized suspension

Type	adjustable load	cable length
SBAL-1030	1,0 bis 2,0 kg	ca. 1,3 m

A cable clamp allows you to determine the level (height) of the ESD simulator for your tests.

