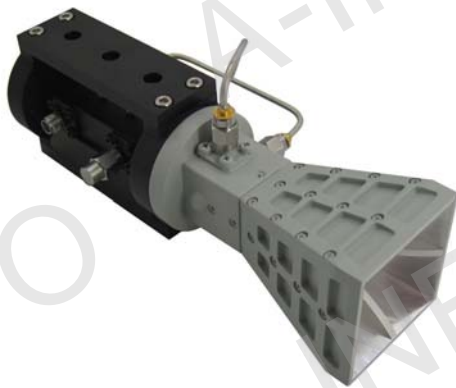


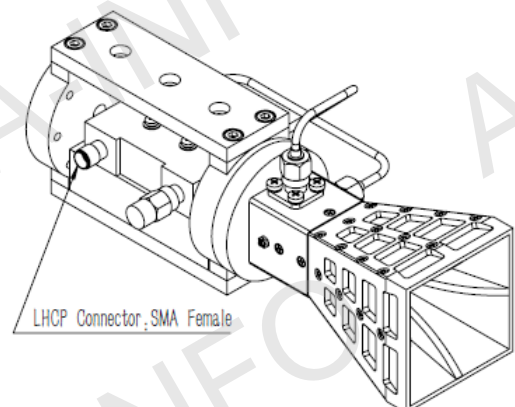
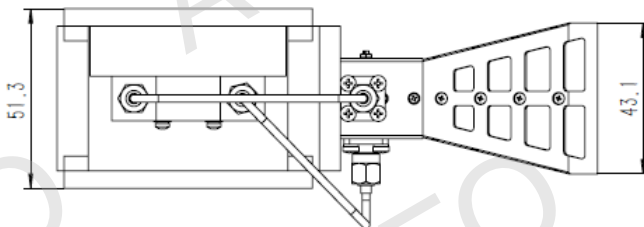
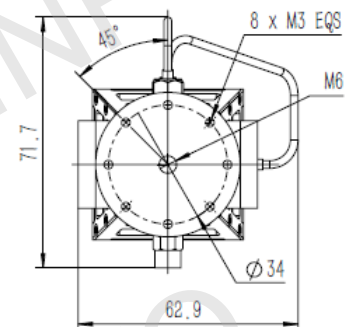
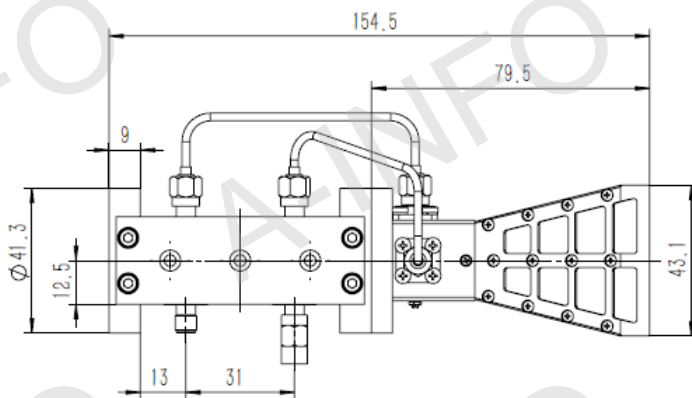
Technical Specification



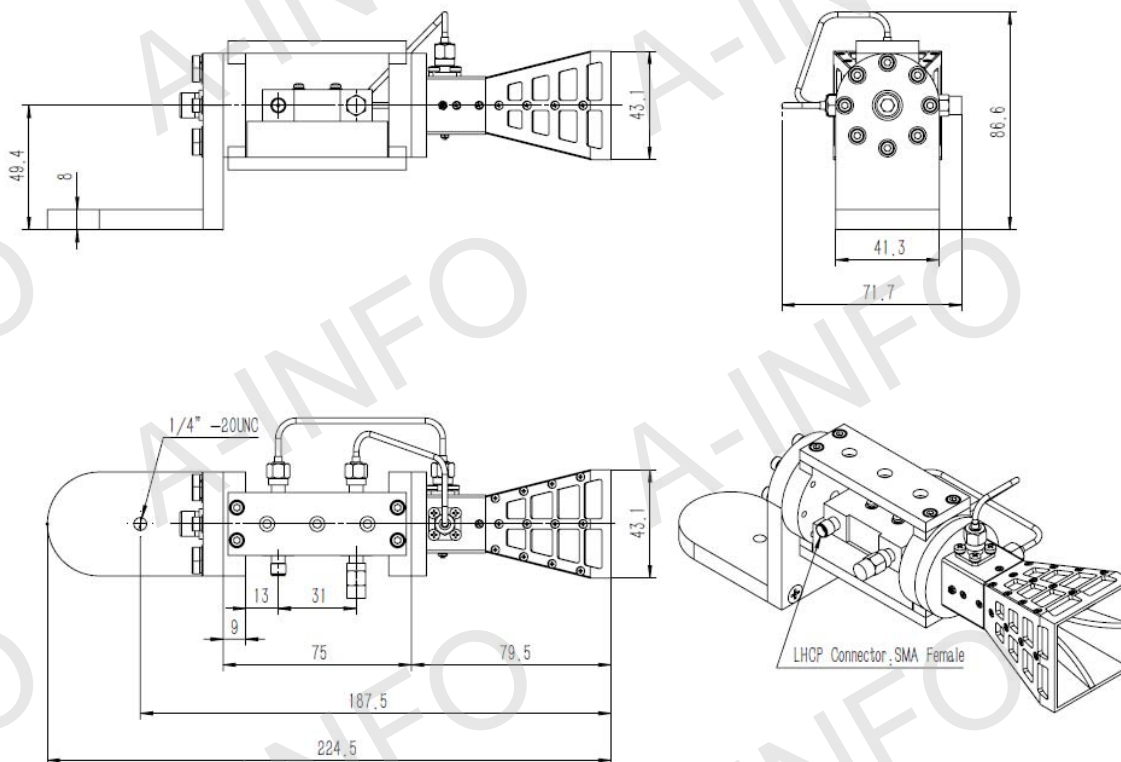
Frequency Range(GHz)	6.0-24.5
Gain(dBi)	13 Typ.
Polarization	LHCP
Axial Ratio(dB)	3.0 Typ.
	6.0 Max.
3dB Beamwidth(deg)	70-15
VSWR	2.0:1 Max.
Output	SMA-Female
Power Handling(W)	20 Max. CW
Material	Al
Size(mm)	62.9 x 71.7 x 154.5
Net Weight(Kg)	0.34 Around

Outline Drawing (Size: mm)

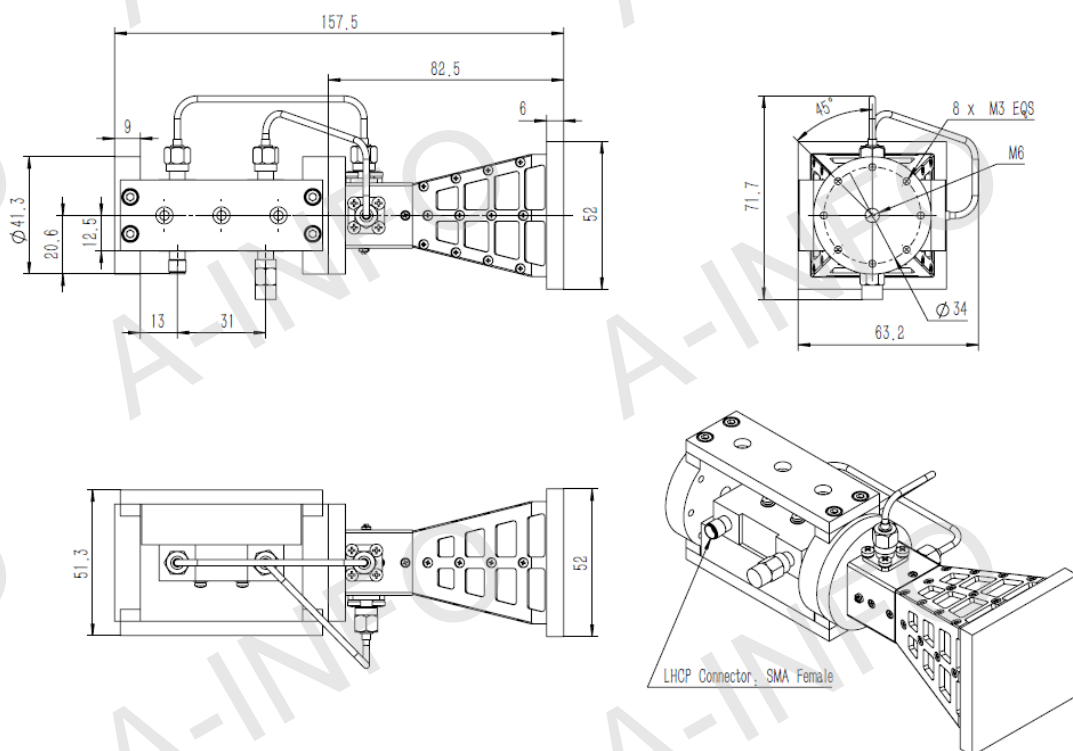
SMA Female Output



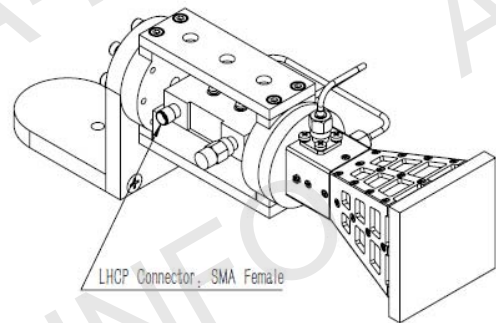
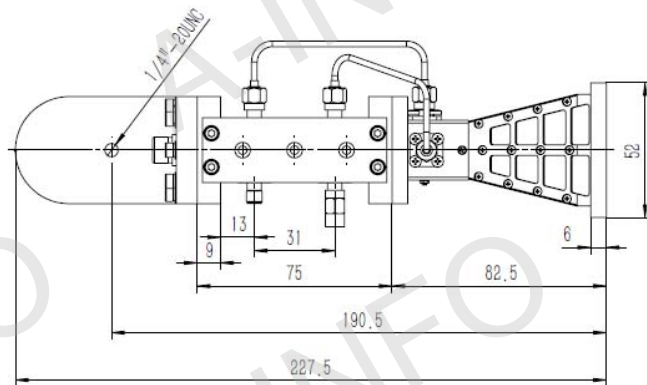
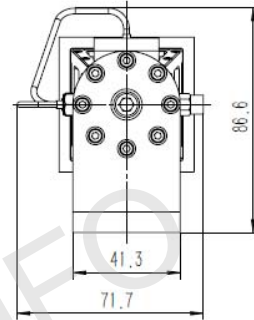
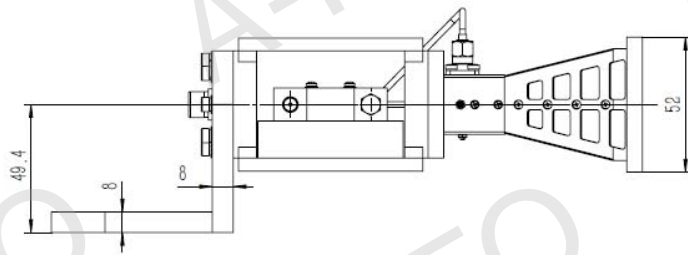
SMA Female Output with L type mounting bracket



SMA Female Output with Radome

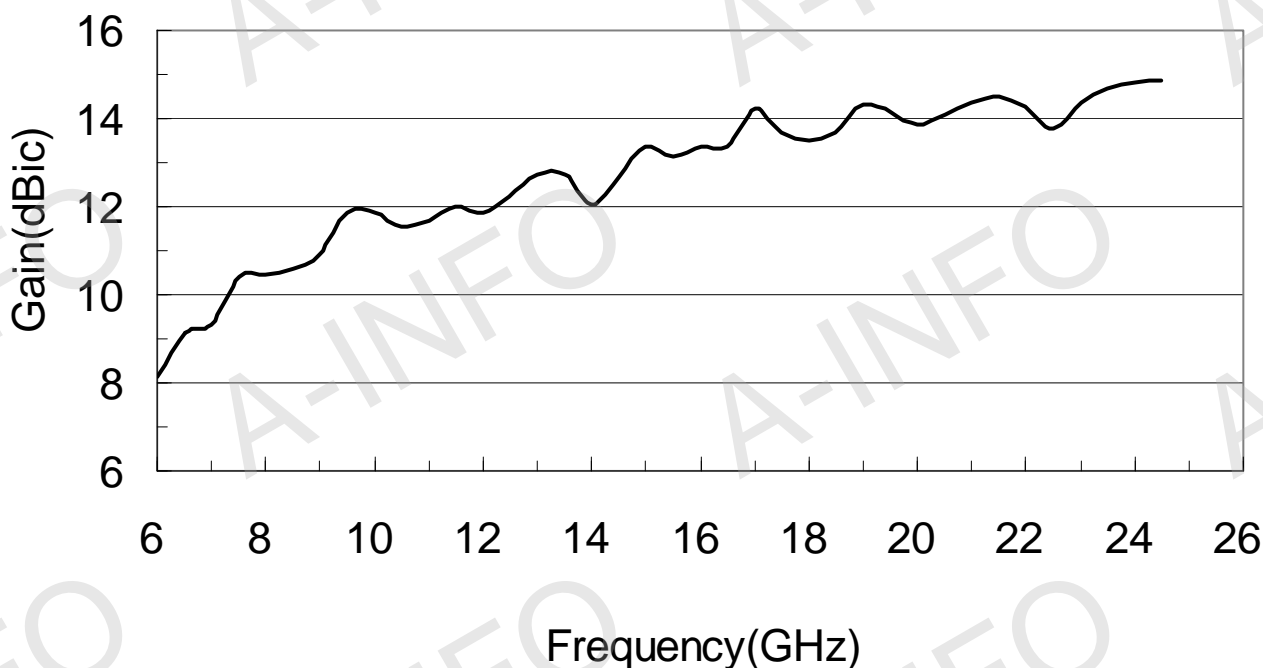


SMA Female Output with Radome & L type mounting bracket

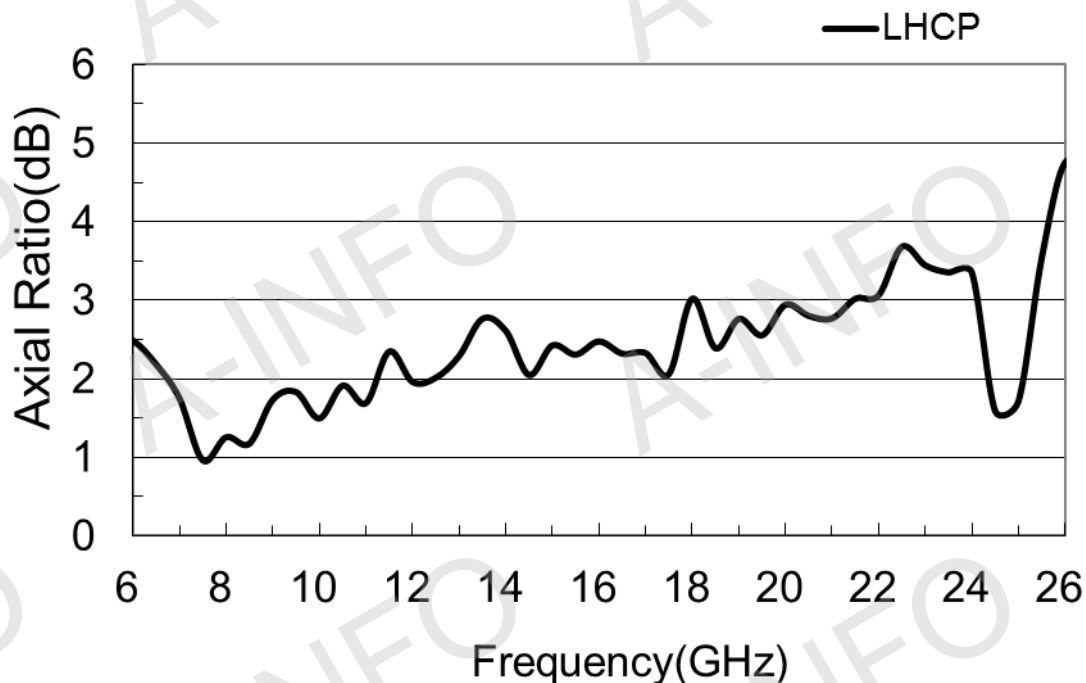


Test Results

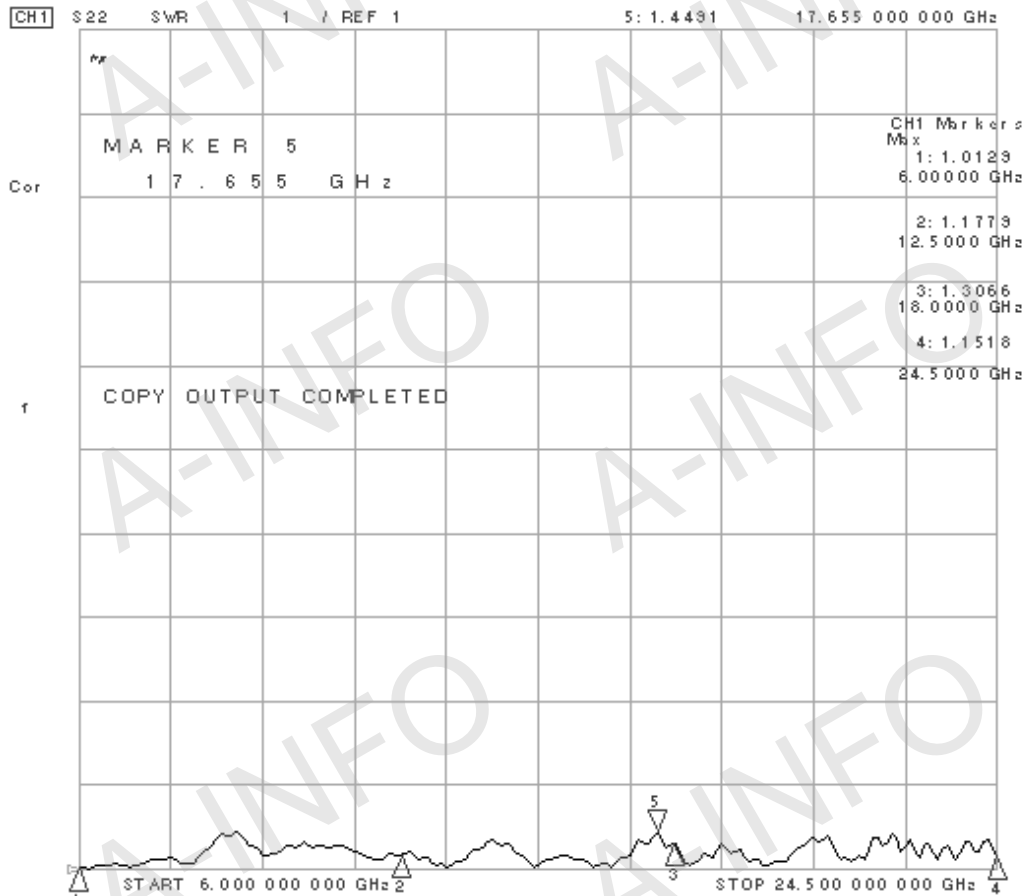
1. Gain



2. Axial Ratio



3. VSWR



4. Pattern

