

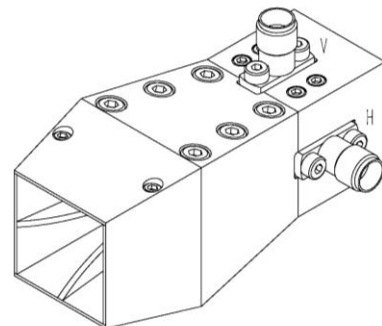
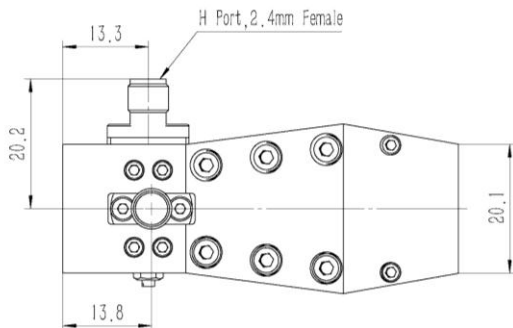
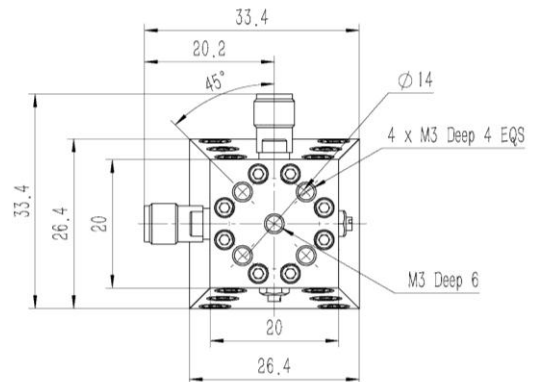
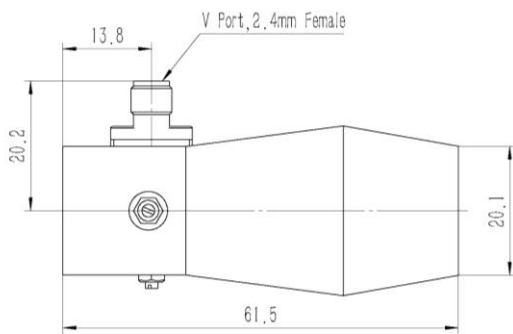
Technical Specification



Frequency Range(GHz)	18 - 54
Gain(dBi)	15 Typ.
Polarization	Dual Pol.
3dB Beamwidth(deg)	54 - 21
Cross Pol. Isolation(dB)	30 Typ.
	20 Min.
Port to Port Isolation(dB)	35 Typ.
	25 Min.
VSWR	1.5:1 Typ.
	2.0:1 Max.
Connector	2.4mm-Female
Power Handling(W CW)	10 Max.
Material	Al
Size(mm)	33.4 x 33.4 x 61.5
Net Weight(Kg)	0.07 Around

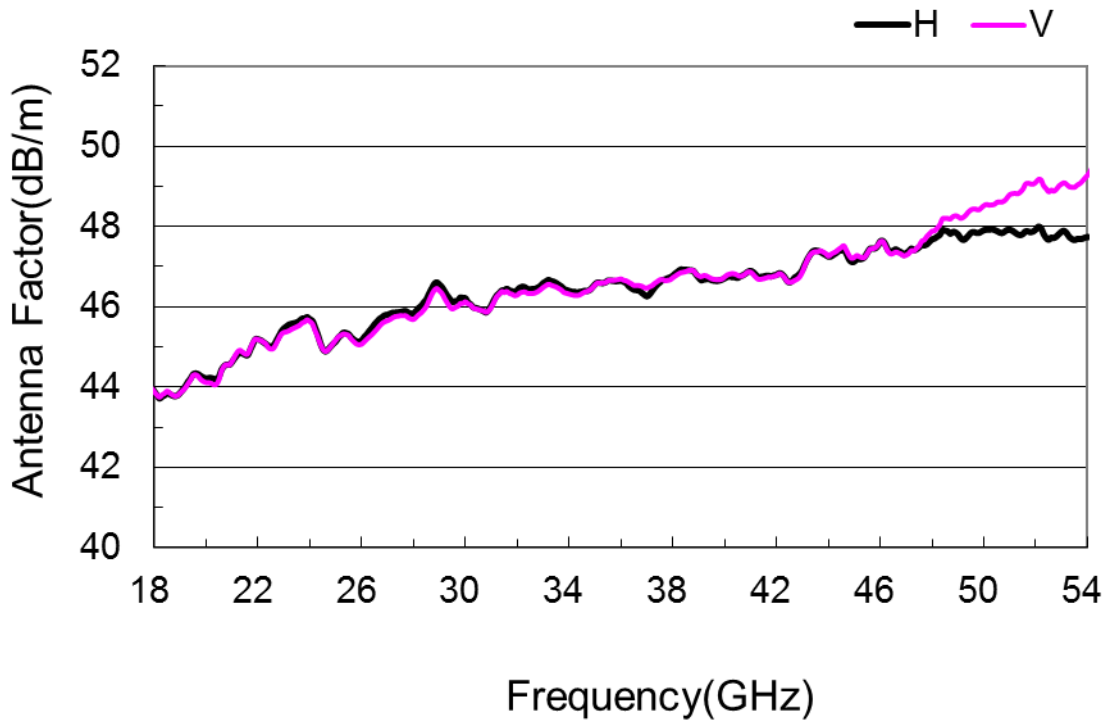
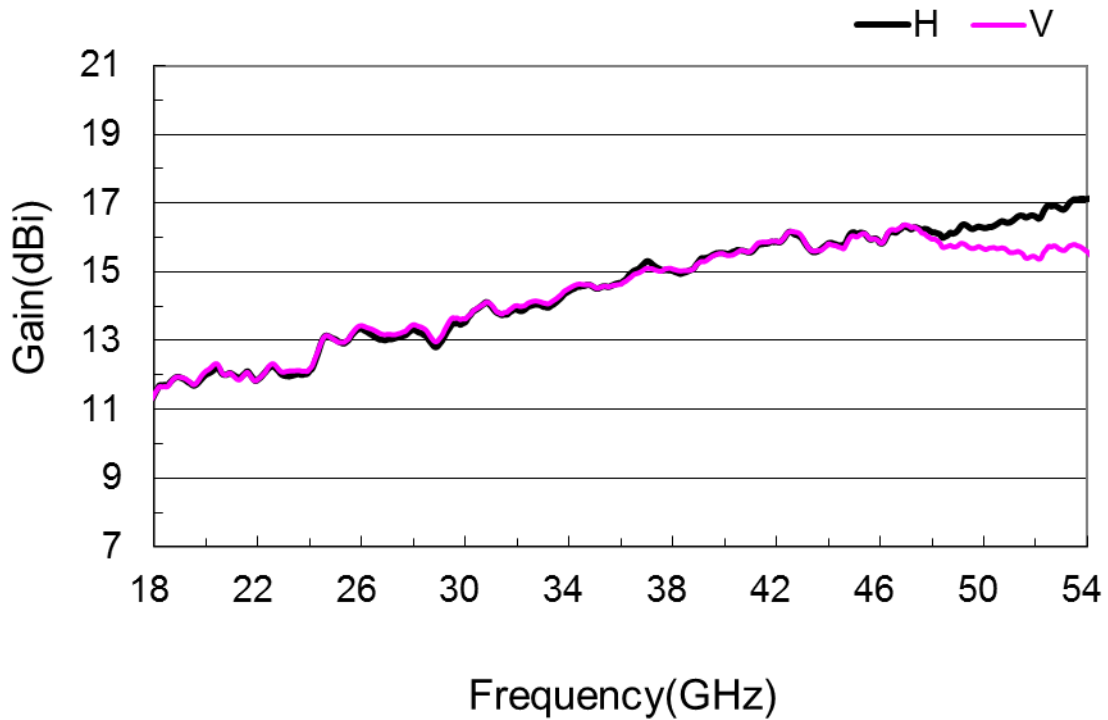
Outline Drawing (Size: mm)

2.4mm-Female Output (P/N: LB-SJ-180540B-2.4F)

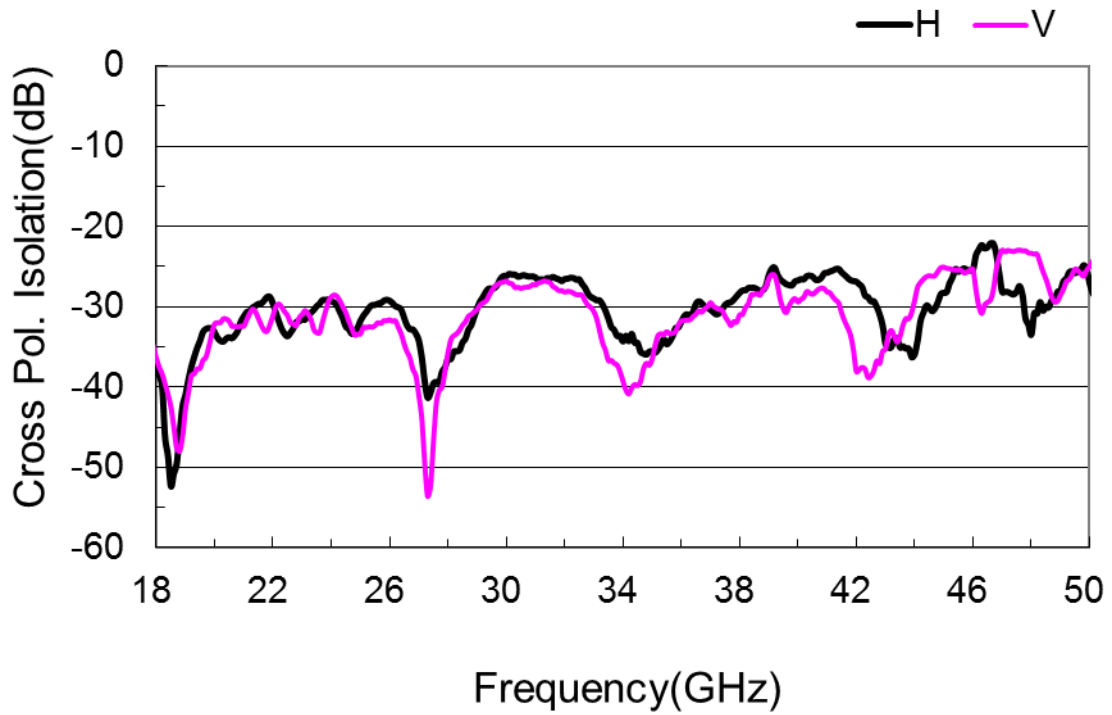


Test Results

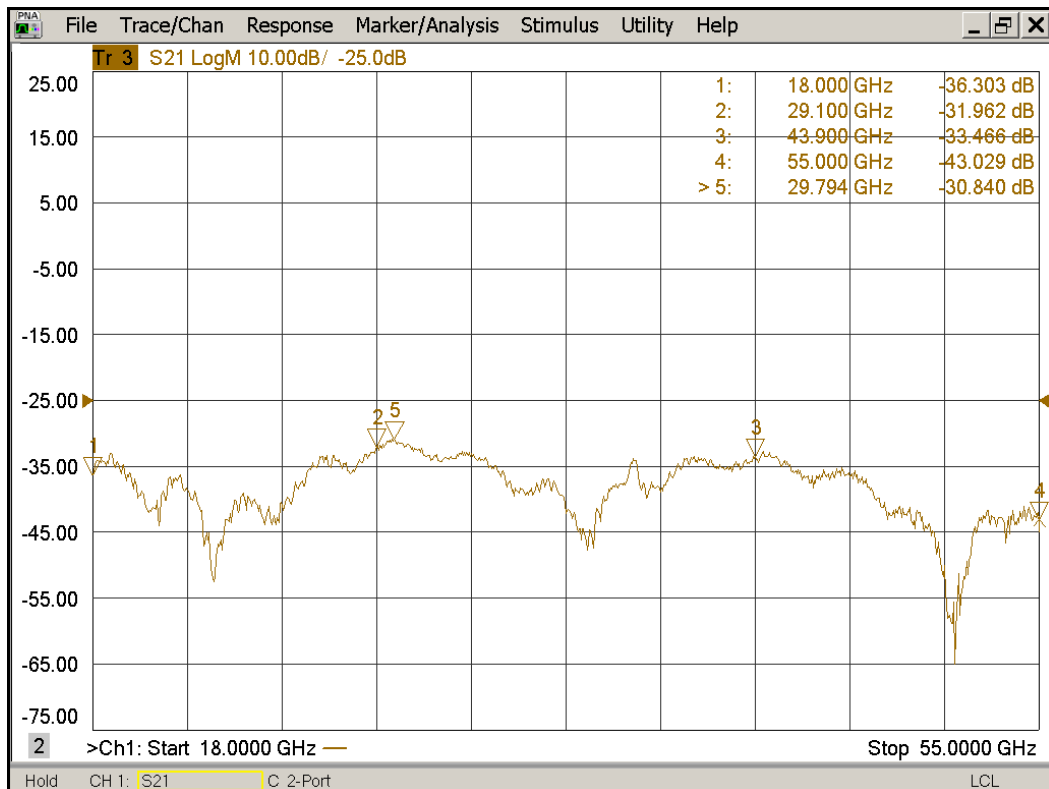
1. Gain & Antenna Factor



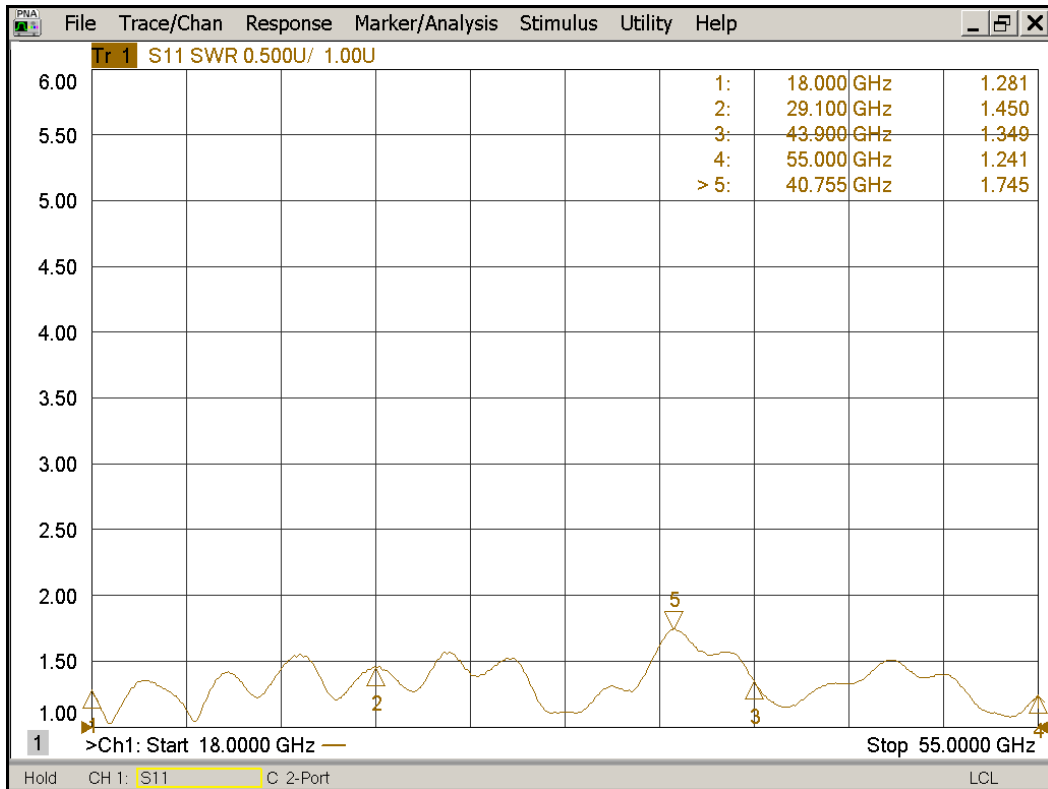
2. Cross Polarization Isolation



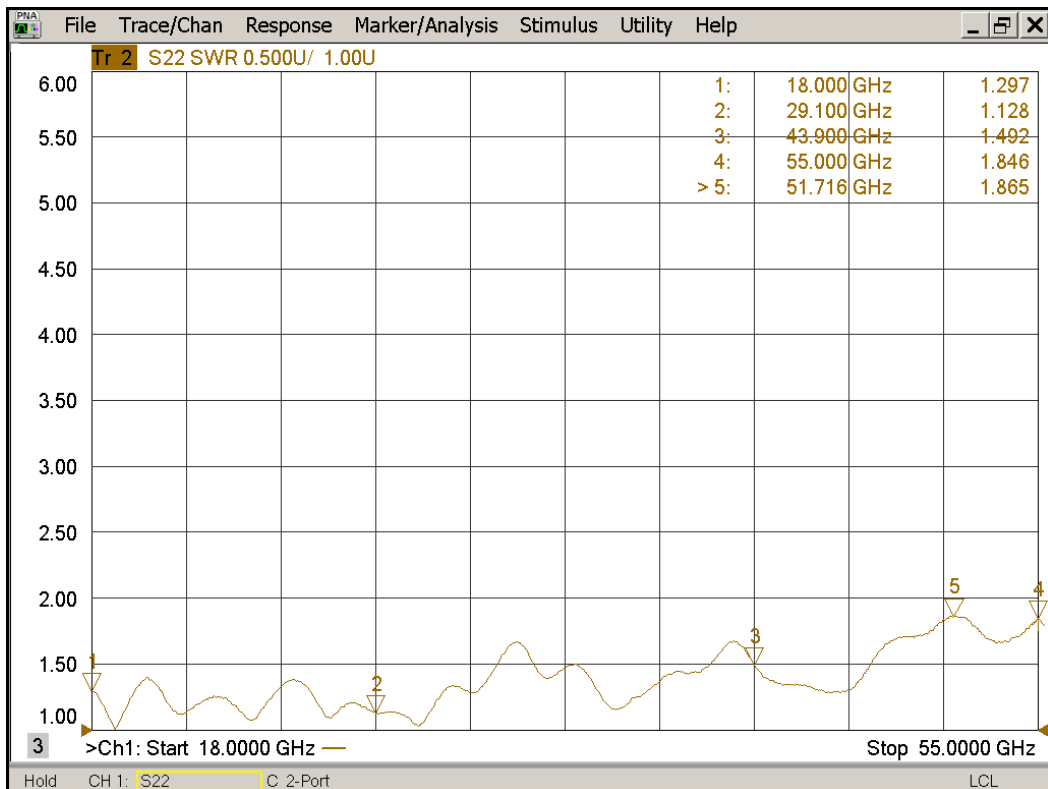
3. Port to Port Isolation



4. VSWR Port-H



Port-V



5. Pattern

