

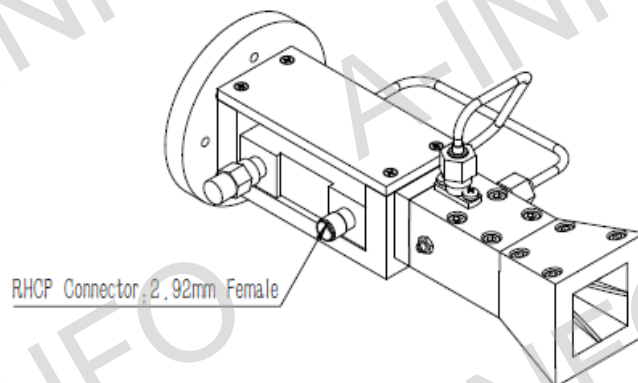
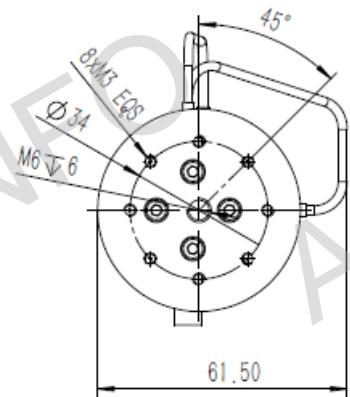
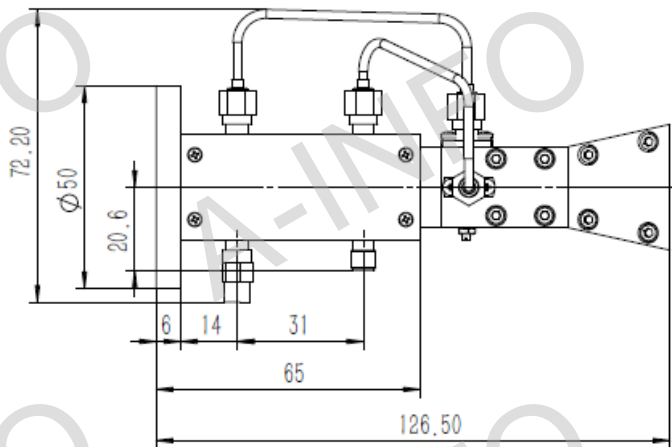
## Technical Specification



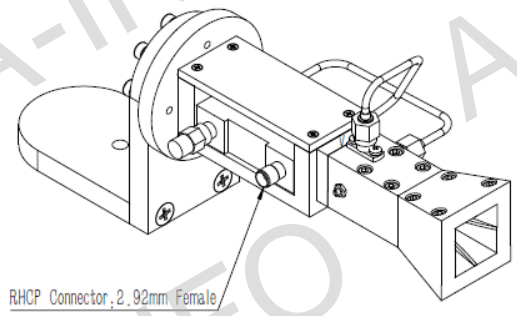
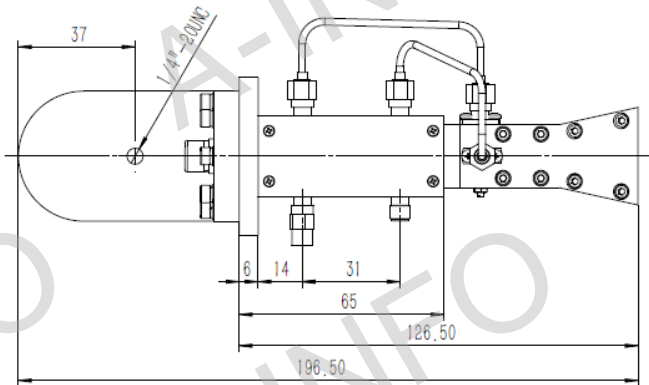
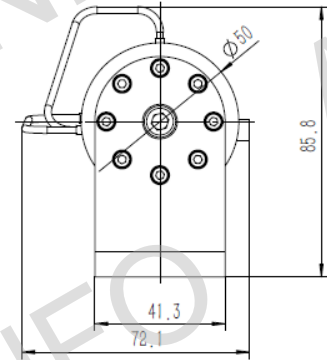
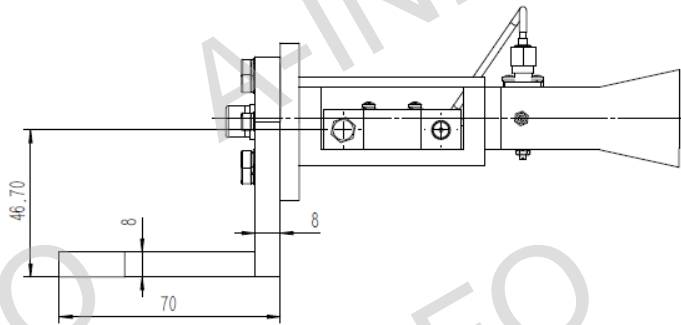
Frequency Range(GHz)	18-40
Gain(dBic)	13 Typ.
Polarization	RHCP
VSWR	2.0 Max.
Axial Ratio(dB)	1.5 Typ.
	3.0 Max.
3dB Beamwidth(deg)	53-26
Connector	2.92mm-Female
Size(mm)	61.5 x 72.20 x 126.50
Net Weight(Kg)	0.38 Around

## Outline Drawing (Size: mm)

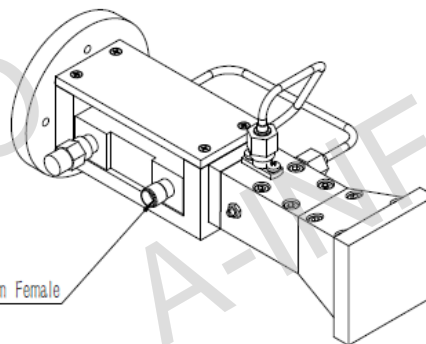
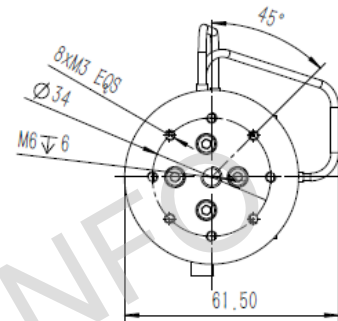
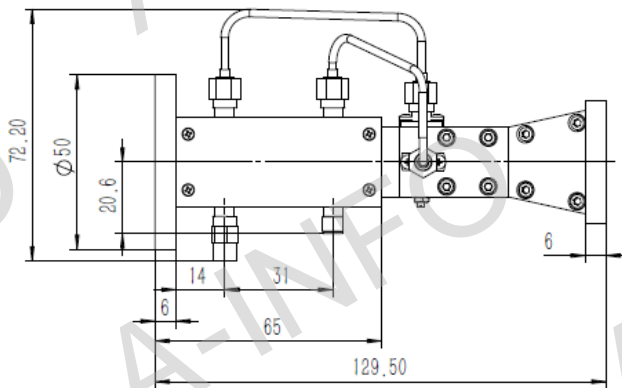
2.92mm Female Output



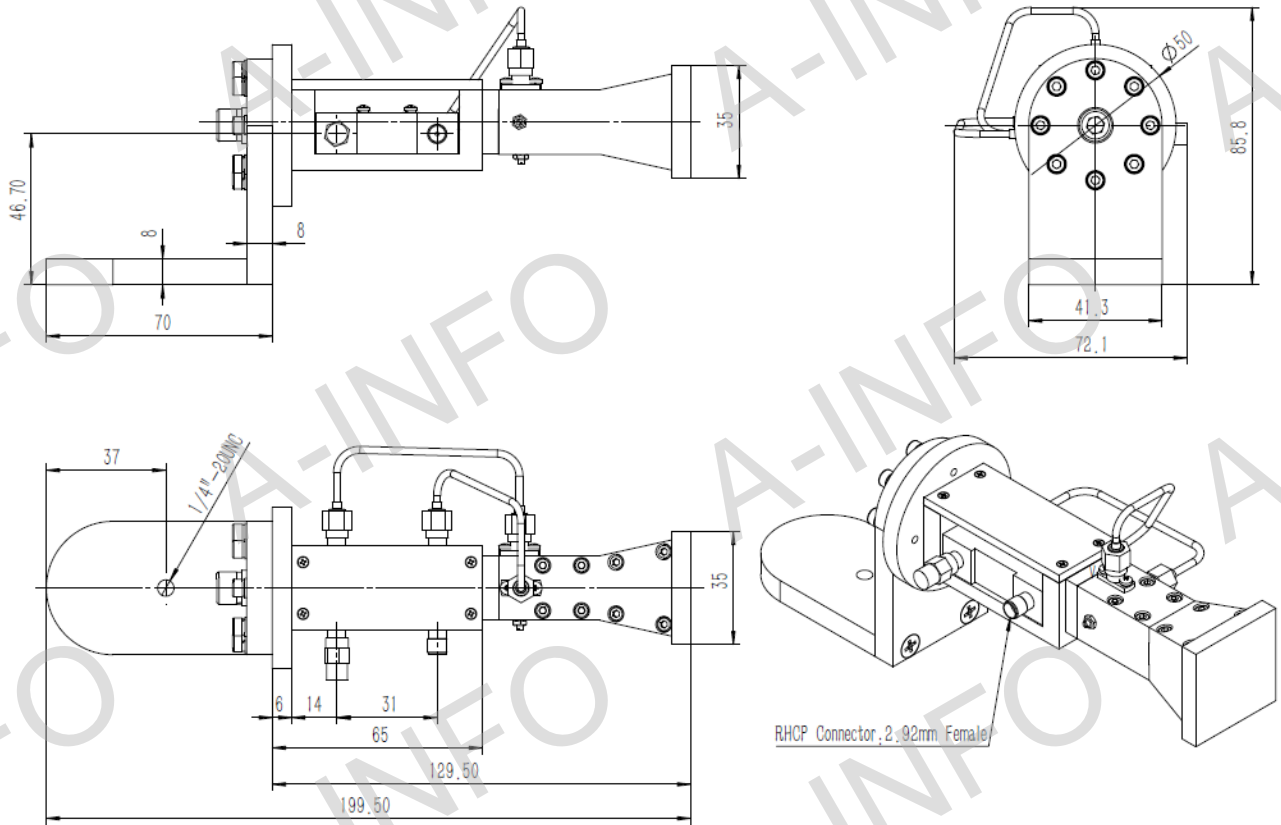
## 2.92mm Female Output with L type mounting bracket



## 2.92mm Female Output Radome

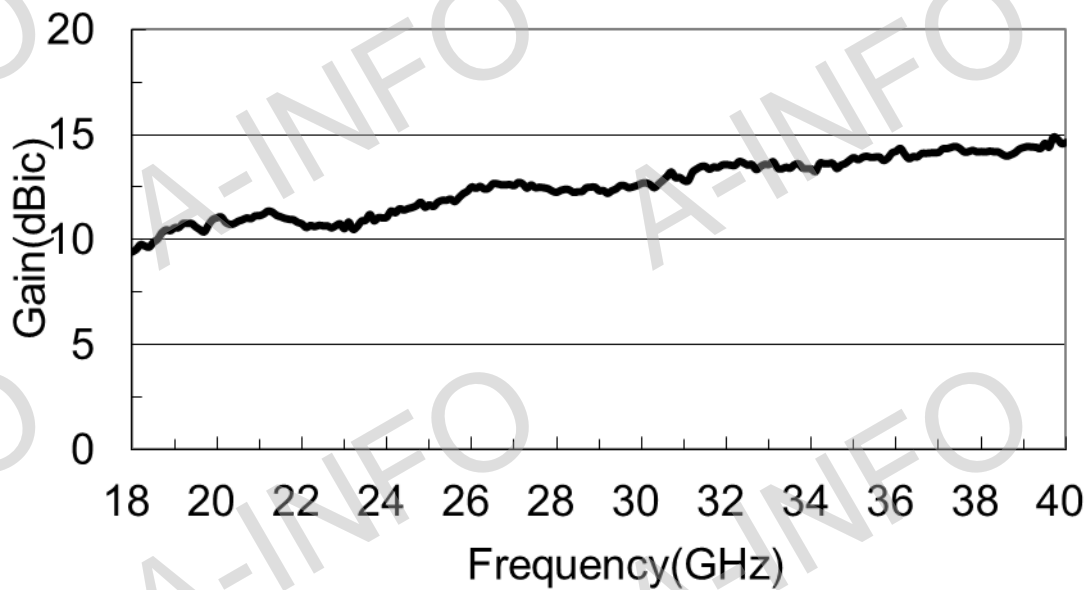


2.92mm Female Output with L type mounting bracket & Radome

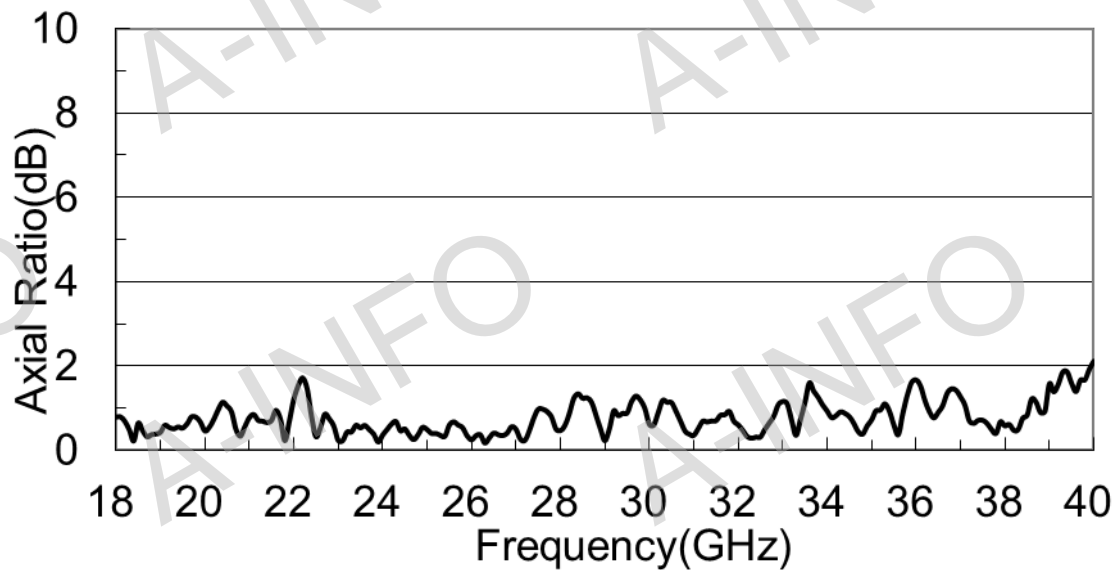


## Test Results

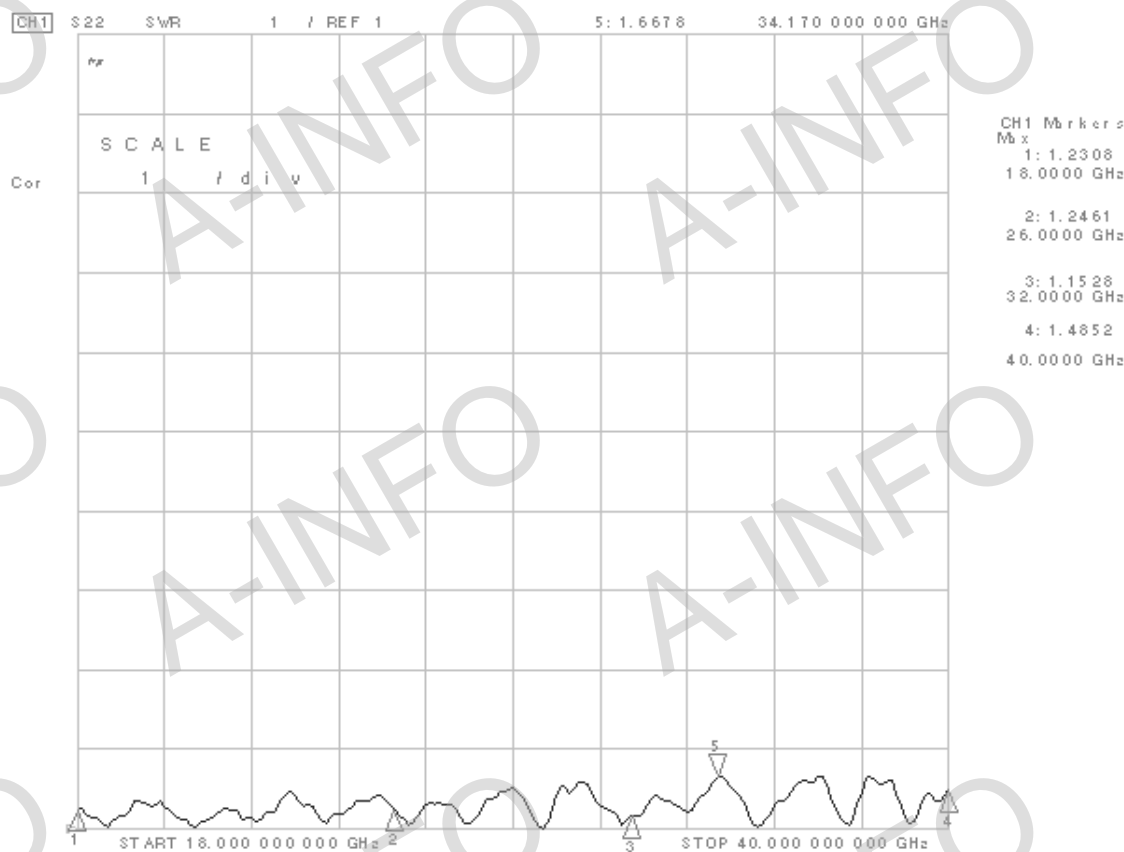
### 1. Gain



## 2. Axial Ratio



## 3. VSWR



## 4. Pattern

