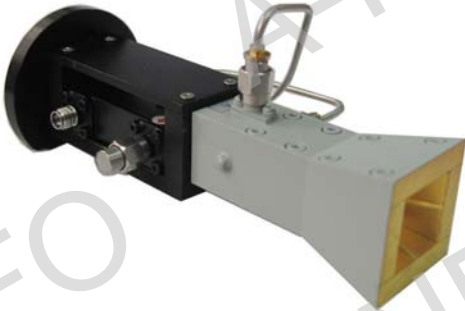


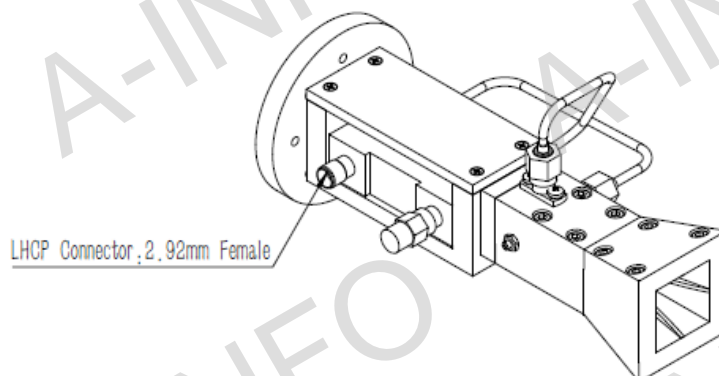
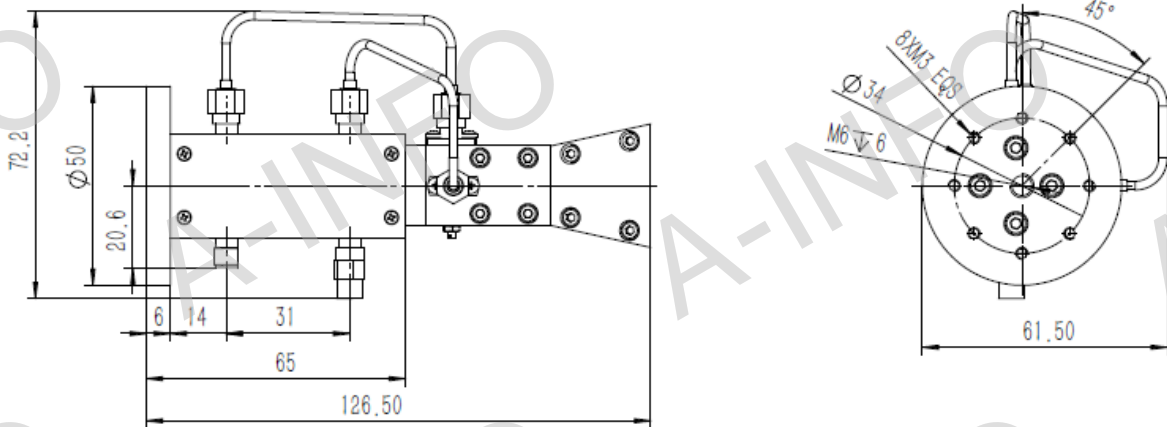
Technical Specification



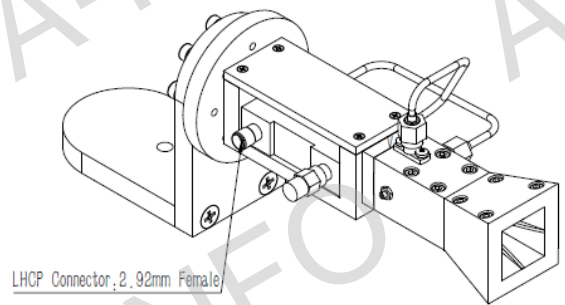
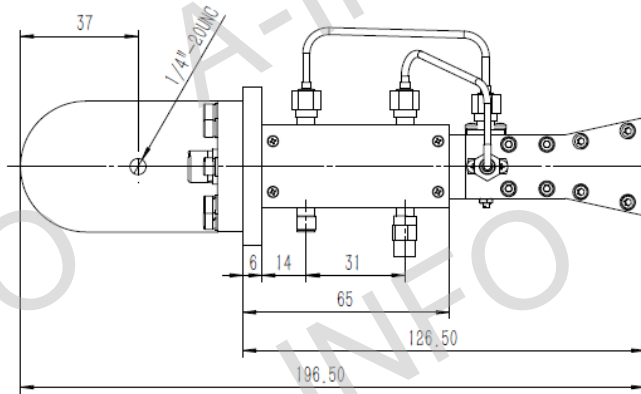
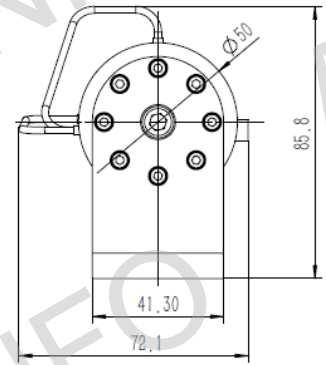
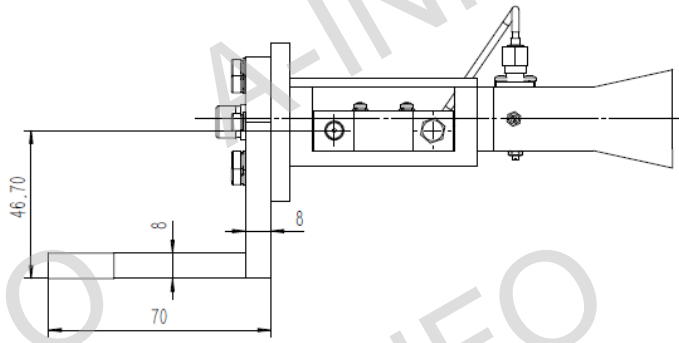
Frequency Range(GHz)	18-40
Gain(dBic)	13 Typ.
Polarization	LHCP
VSWR	2.0 Max.
Axial Ratio(dB)	1.5 Typ.
	3.0 Max.
3dB Beamwidth(deg)	53-26
Connector	2.92mm-Female
Size(mm)	61.5 x 72.2 x 126.50
Net Weight(Kg)	0.38 Around

Outline Drawing (Size: mm)

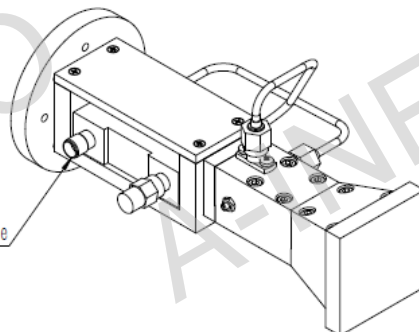
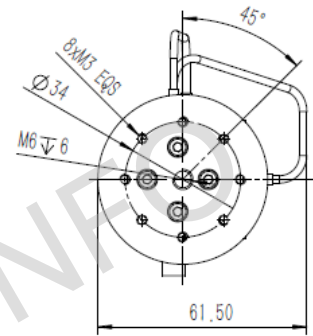
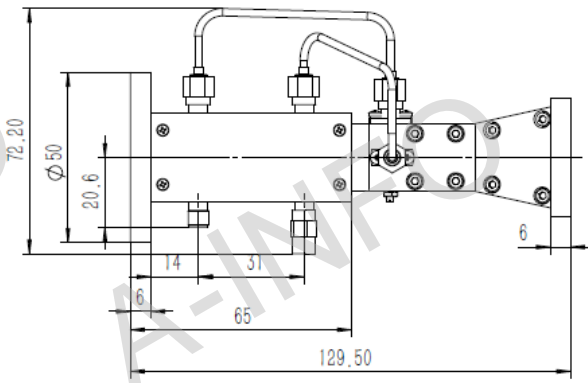
2.92mm Female Output



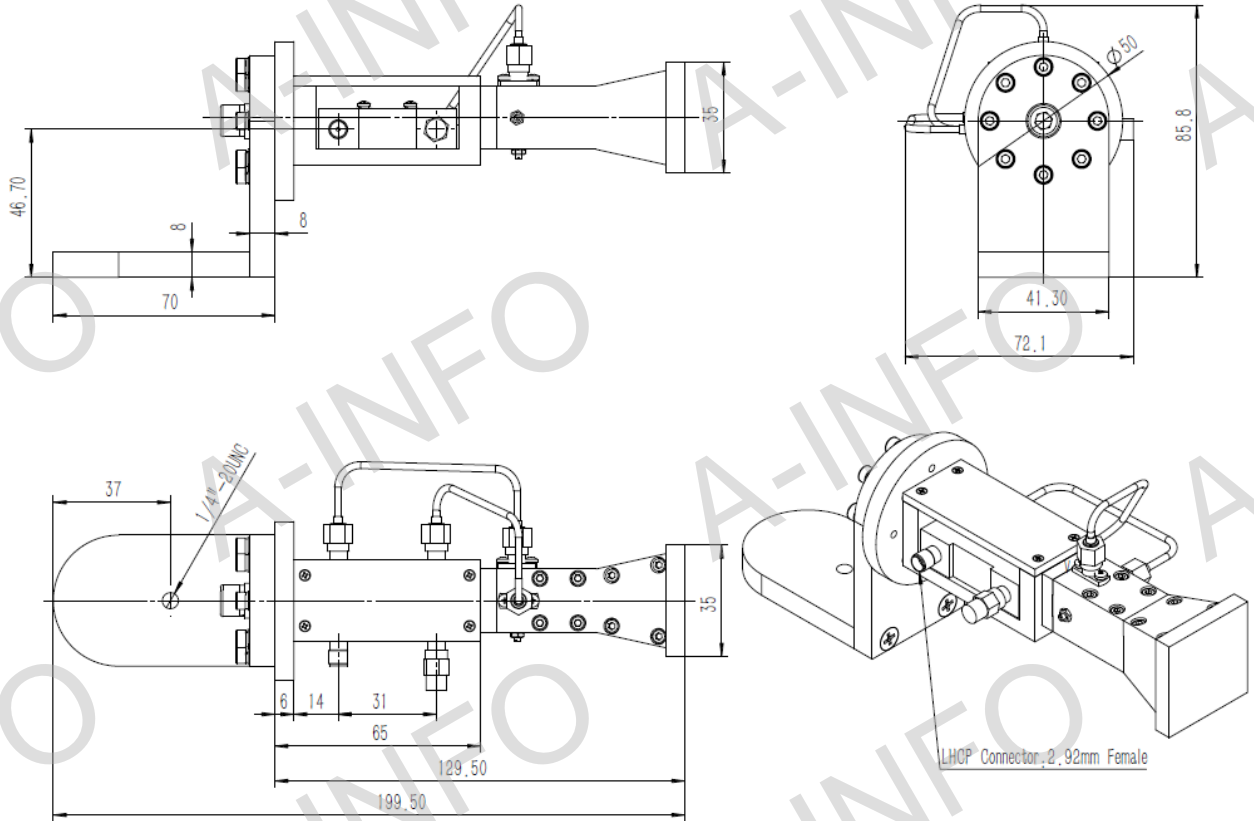
2.92mm Female Output with L type mounting bracket



2.92mm Female Output with Radome

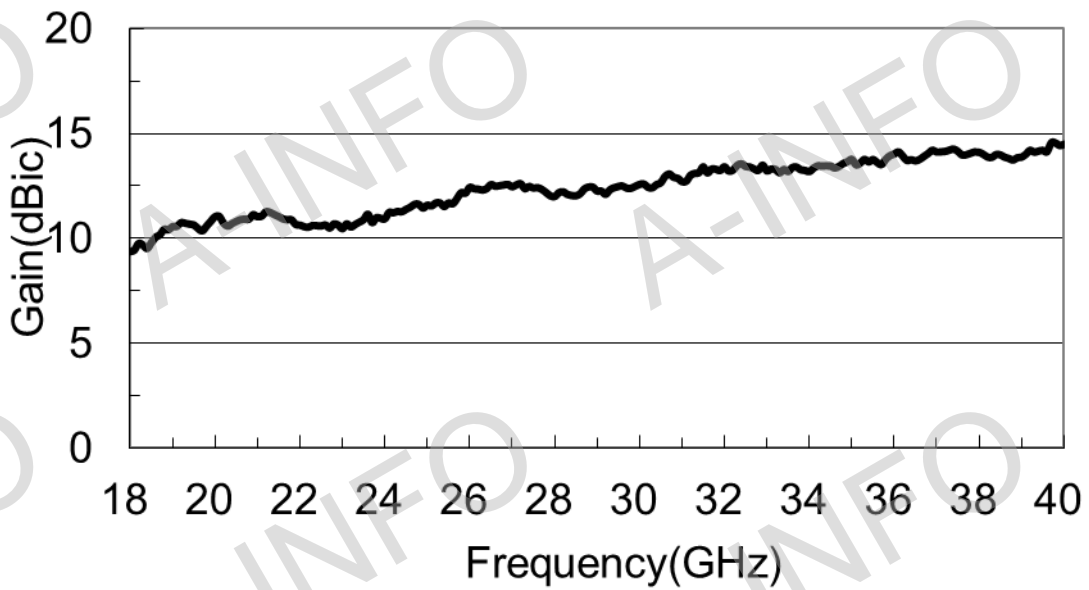


2.92mm Female Output with L type mounting bracket & Radome

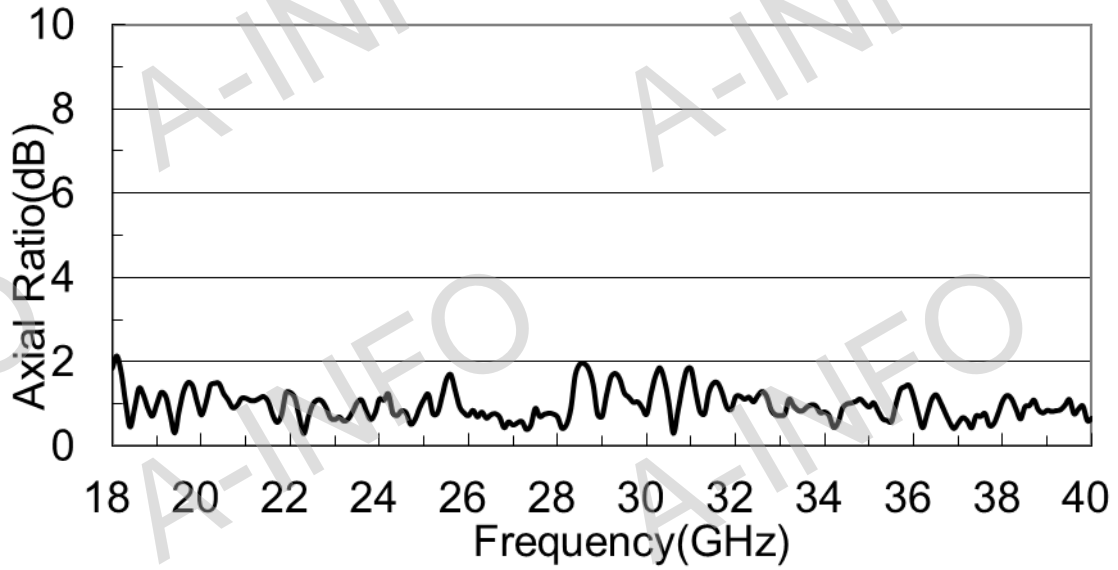


Test Results

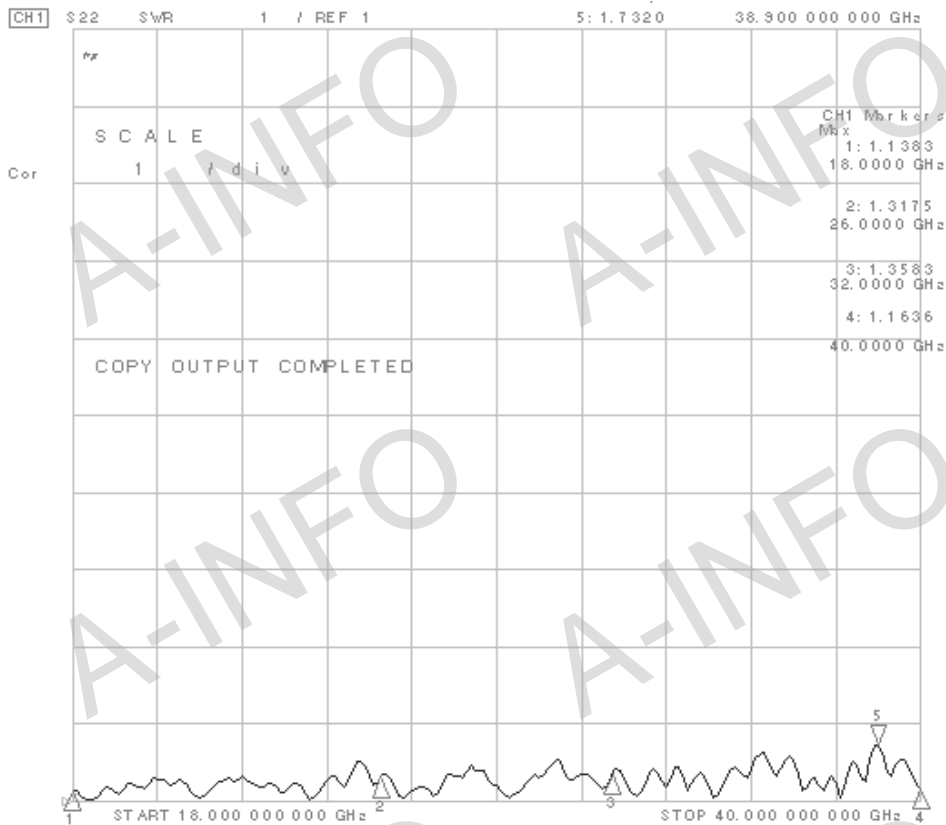
1. Gain



2. Axial Ratio



3. VSWR



4. Pattern

