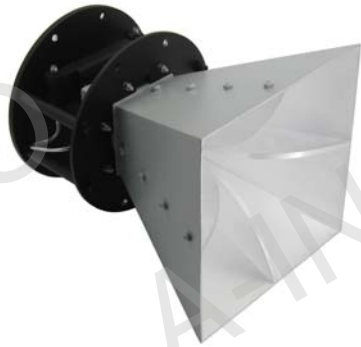


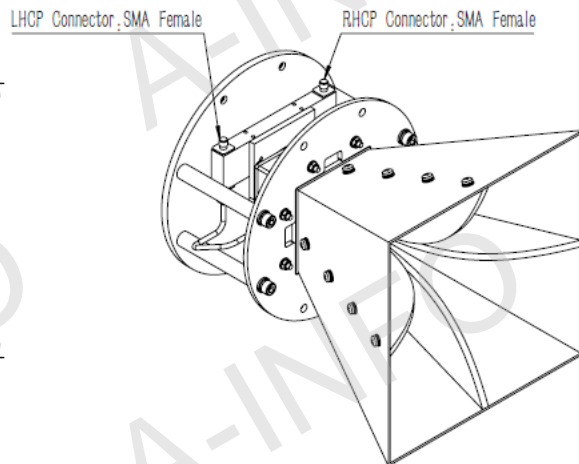
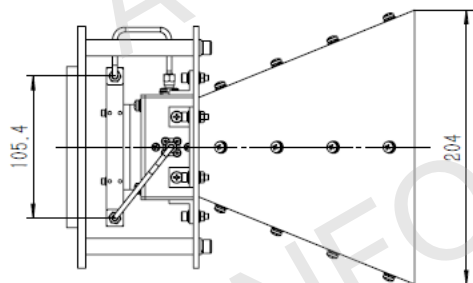
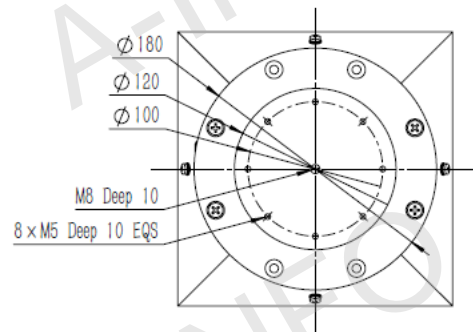
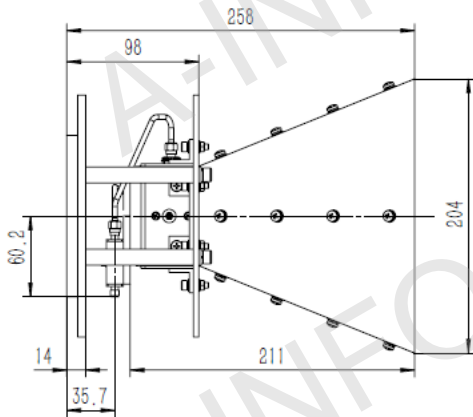
Technical Specification



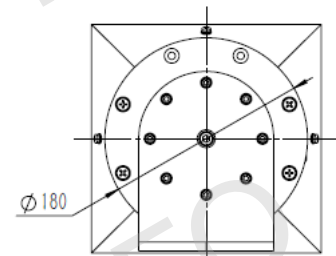
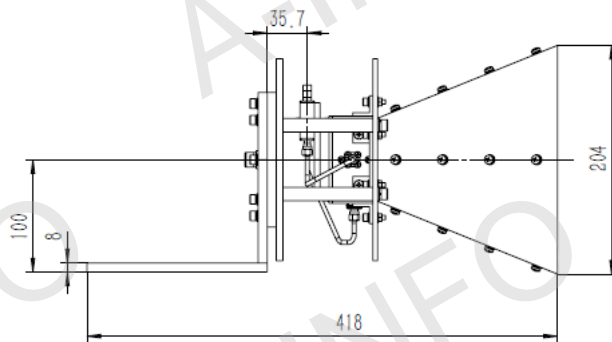
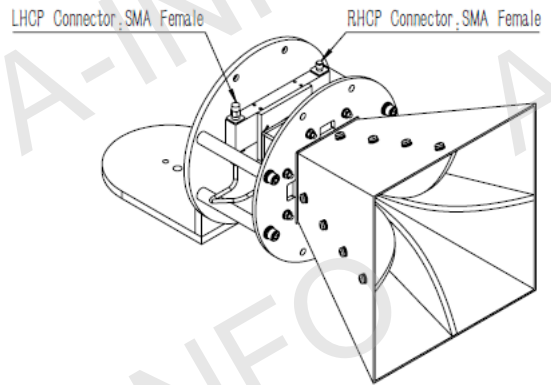
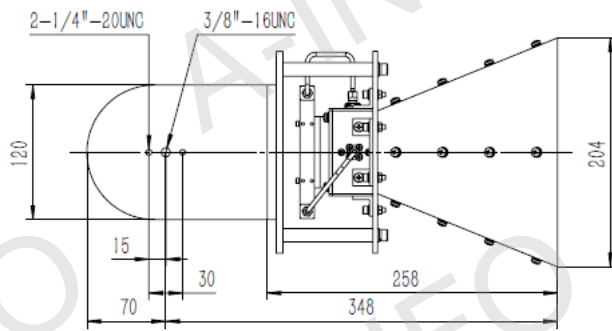
Frequency Range(GHz)	1.0 - 10.0
Gain(dBic)	11 Typ.
Polarization	Dual Circular
Axial Ratio(dB)	2.0 Typ.
	3.0 Max.
3dB Beamwidth(deg)	82 - 20
Port to Port Isolation(dB)	15 Typ.
VSWR	1.5:1 Typ.
Output	SMA-Female
Power Handling(W)	20 Max. CW
Material	Al
Size(mm)	204 x 204 x 258
Net Weight(Kg)	2.88 Around

Outline Drawing (Size: mm)

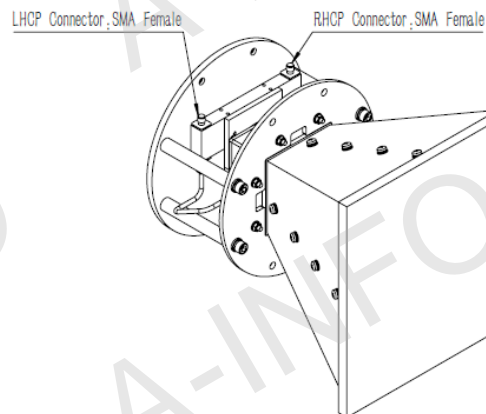
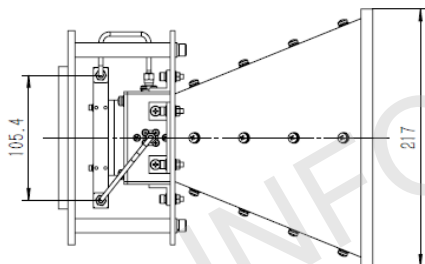
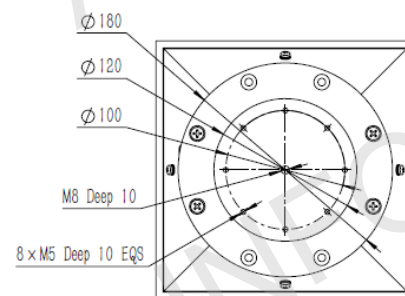
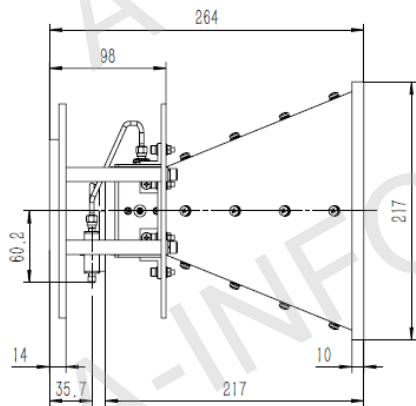
SMA-Female Output



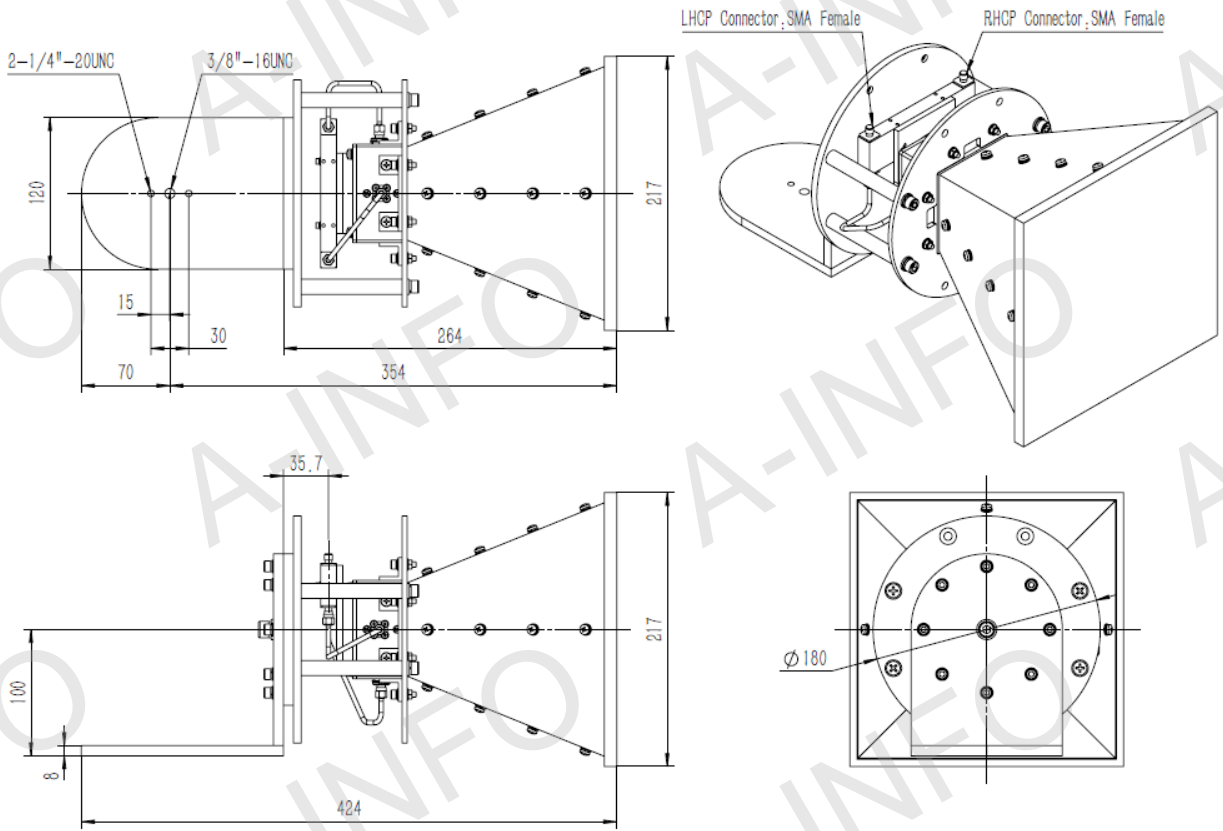
SMA-Female Output with L Type Mounting Bracket



SMA-Female Output with Radome

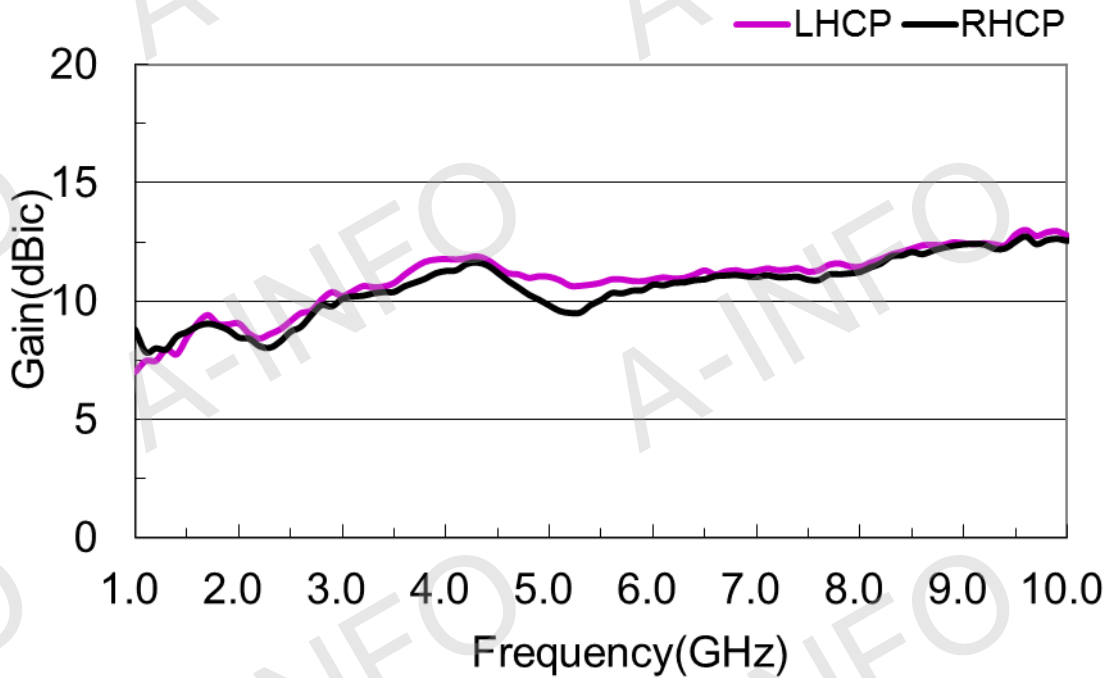


SMA-Female Output with L Type Mounting Bracket & Radome

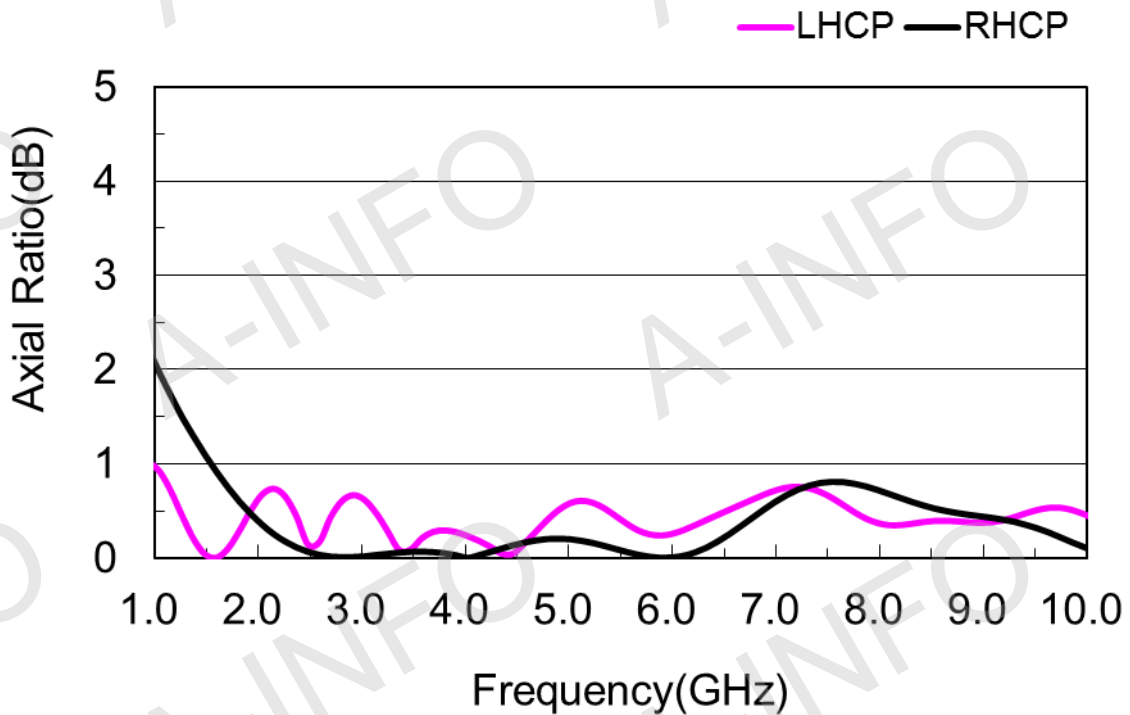


Test Results

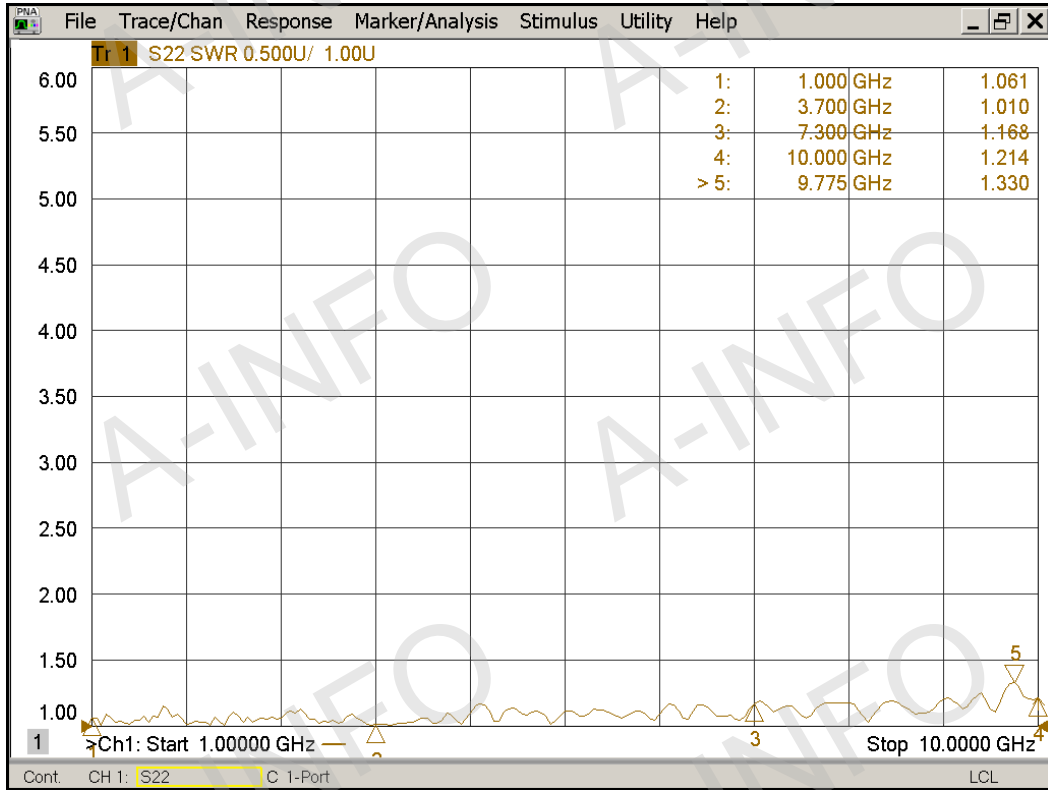
1. Gain



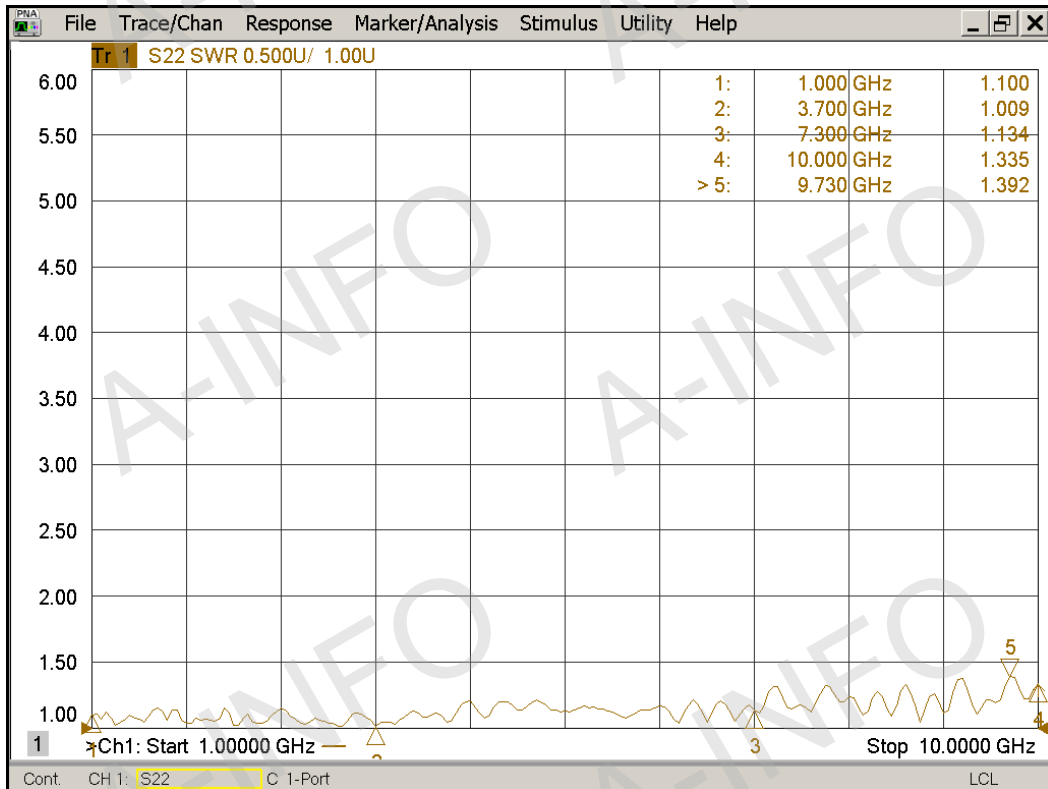
2. Axial Ratio



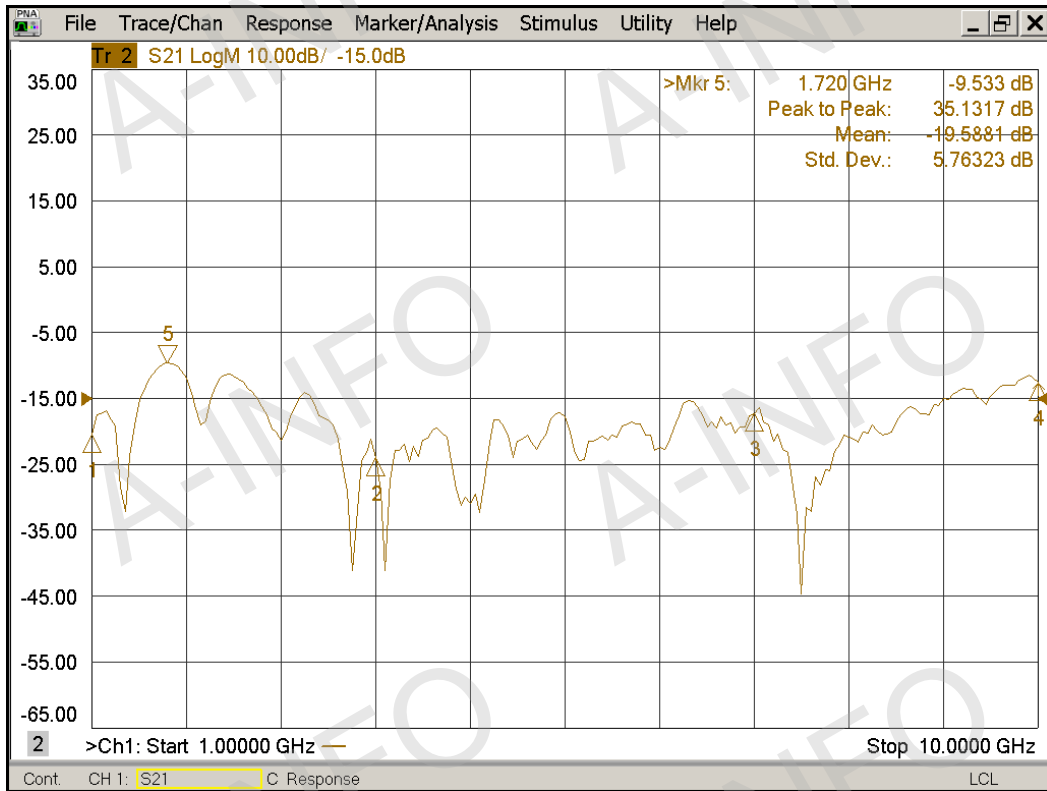
3. VSWR LHCP



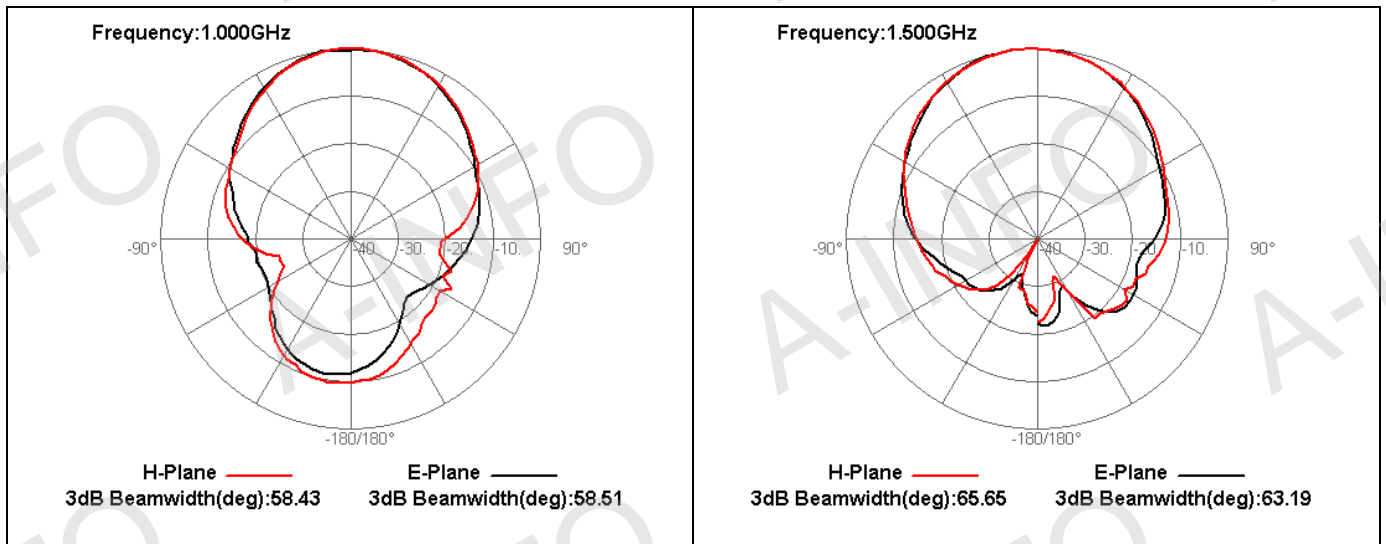
RHCP

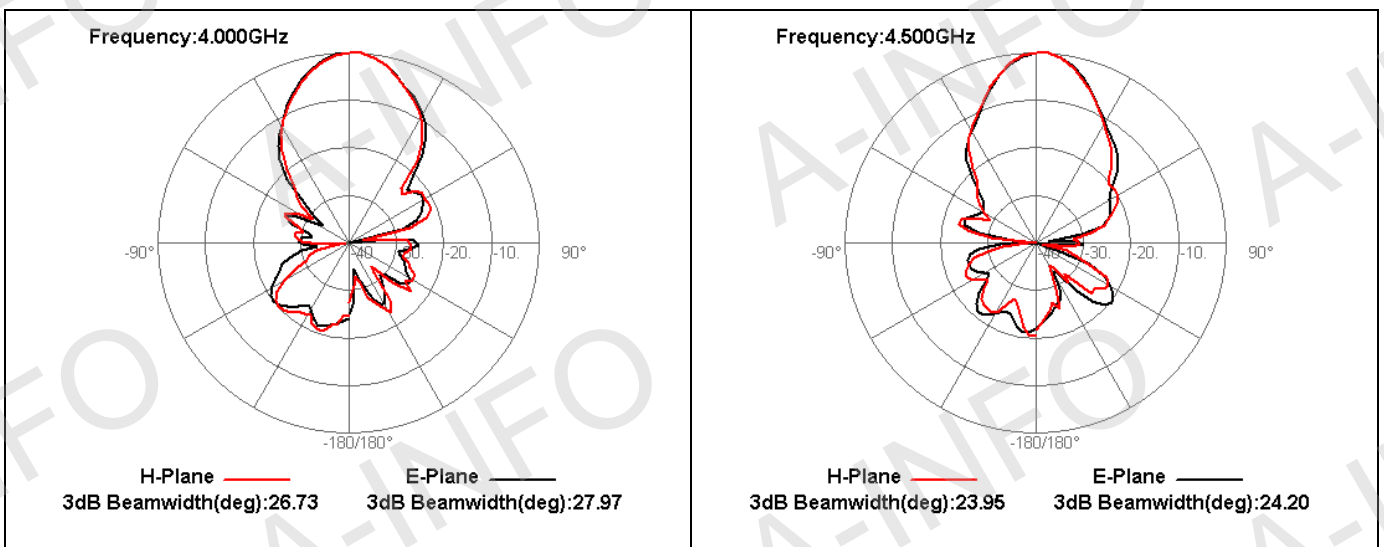
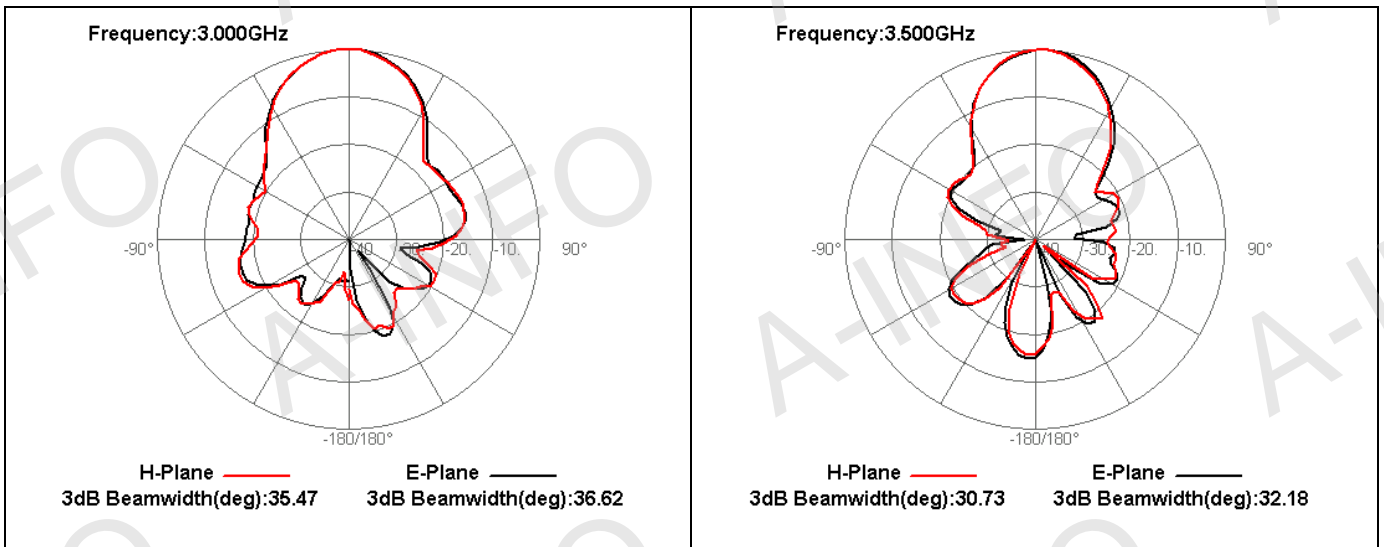
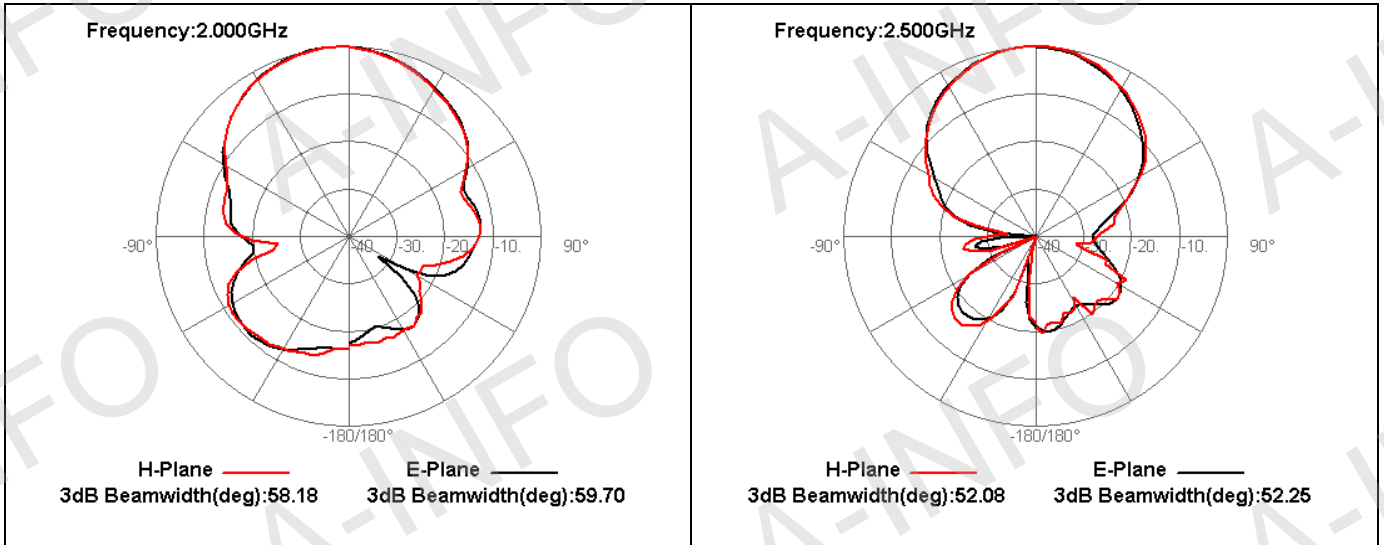


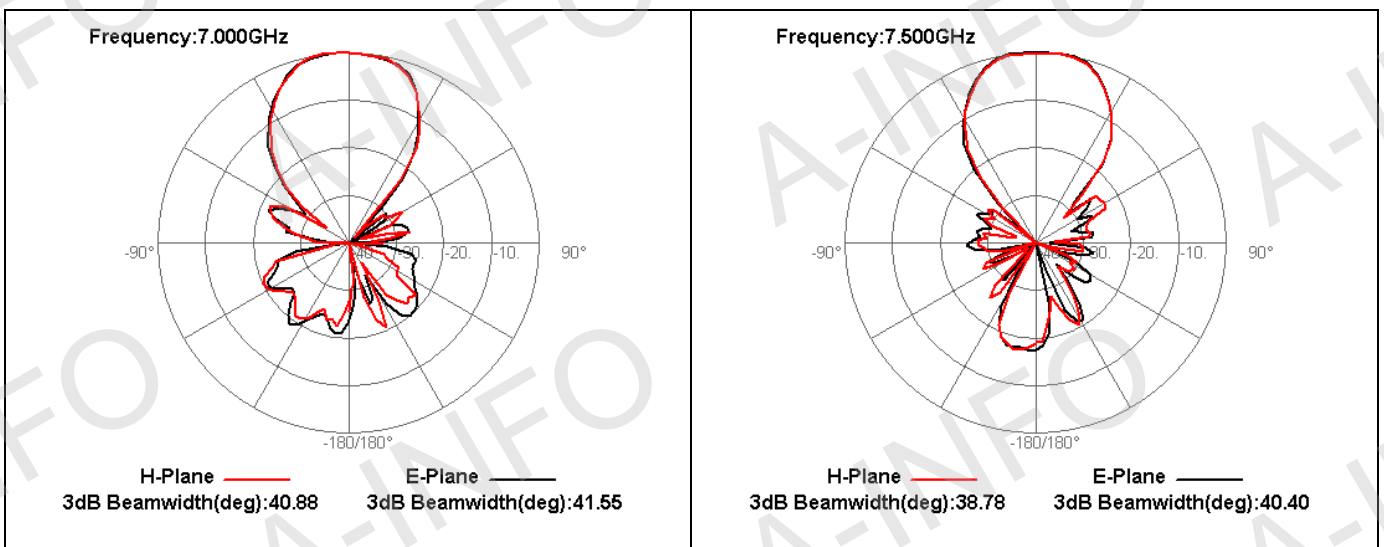
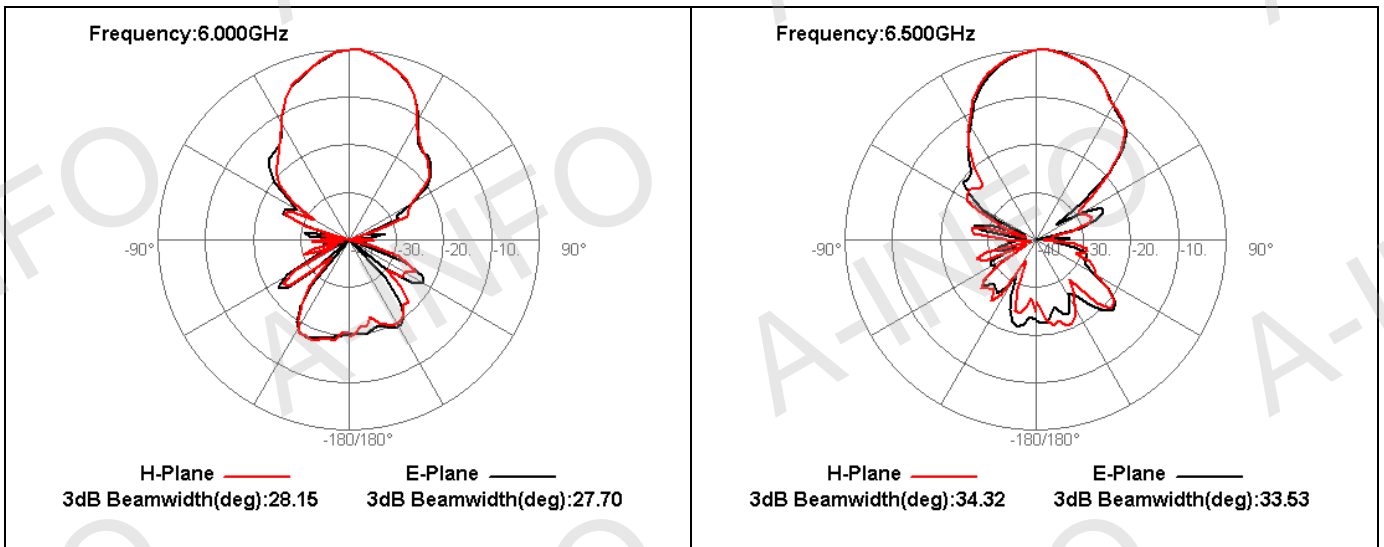
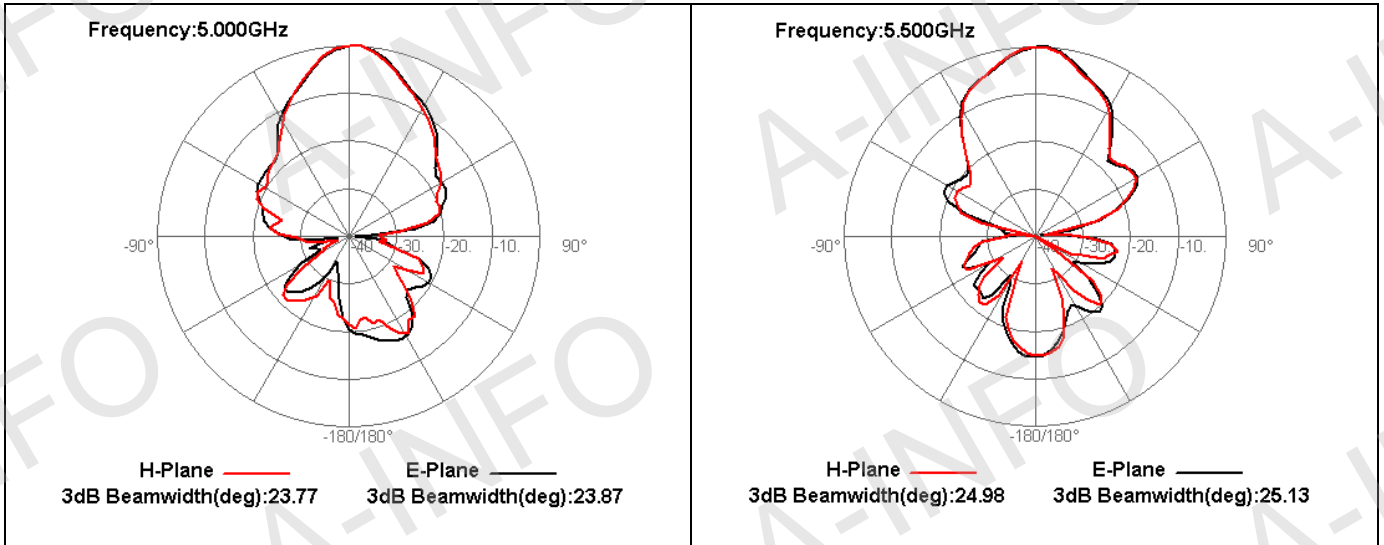
4. Port to Port Isolation

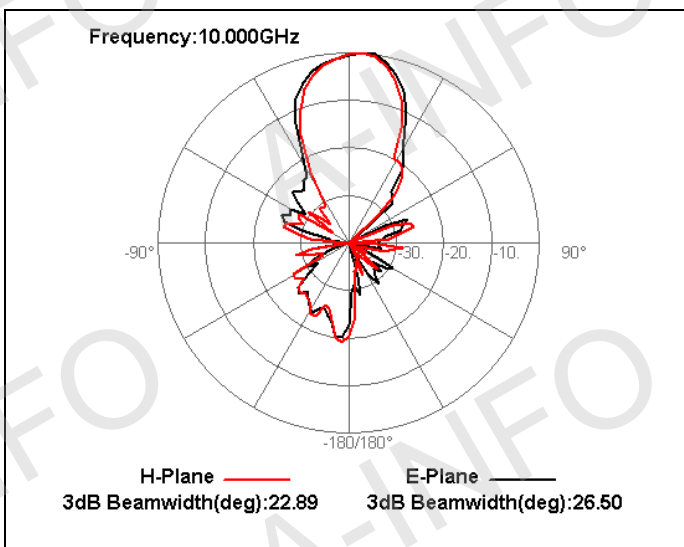
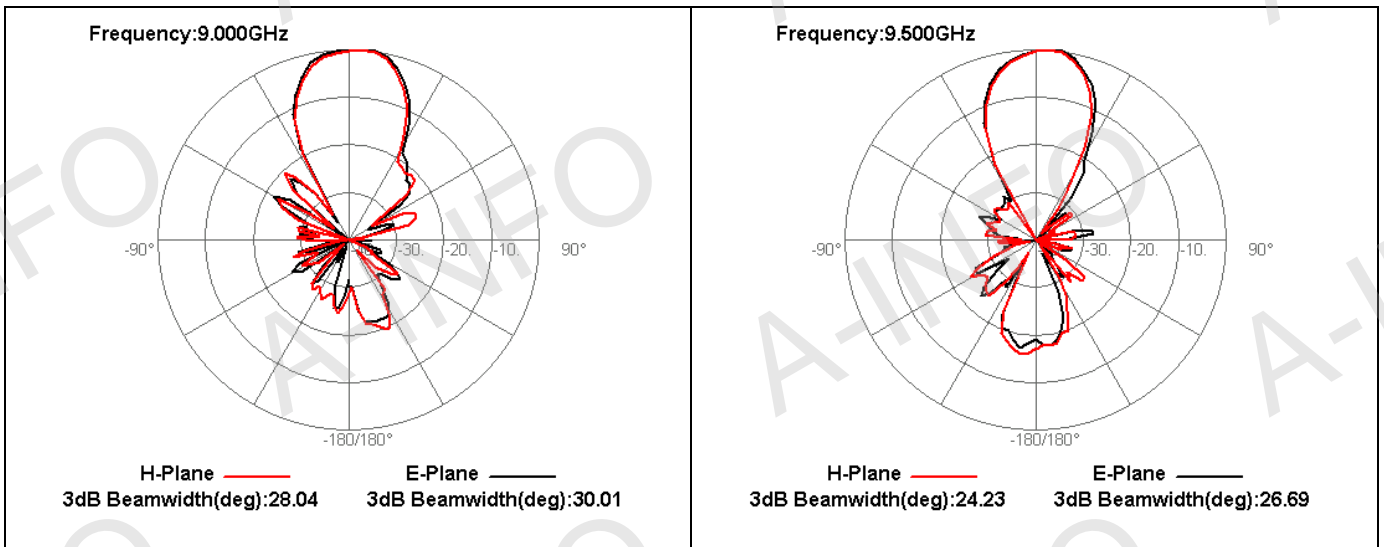
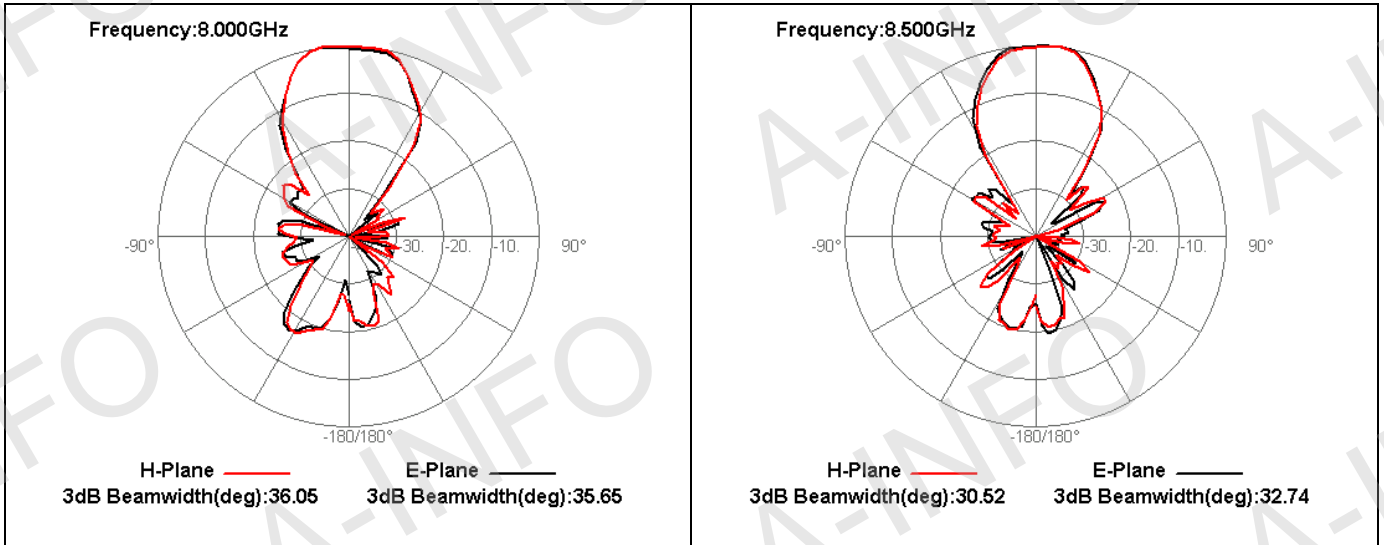


5. Pattern LHCP









RHCP

