

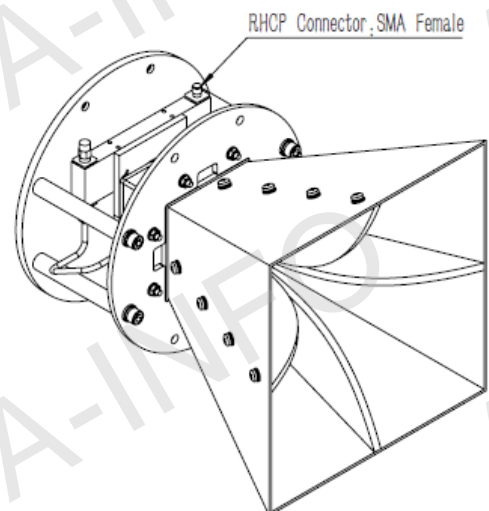
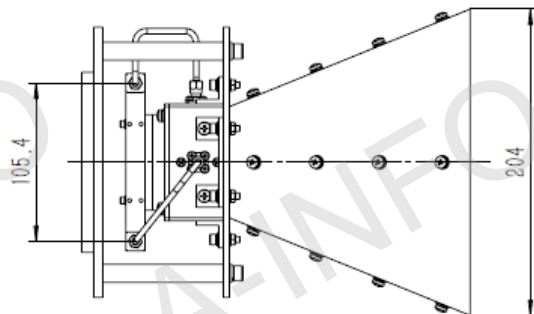
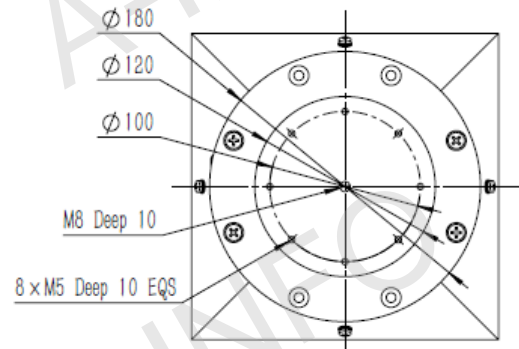
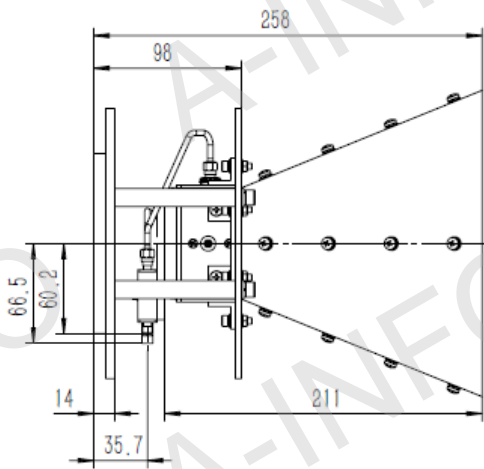
## Technical Specification



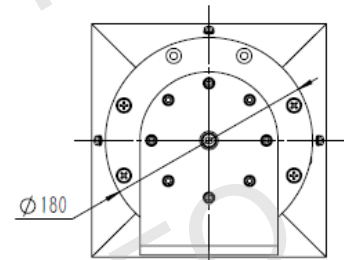
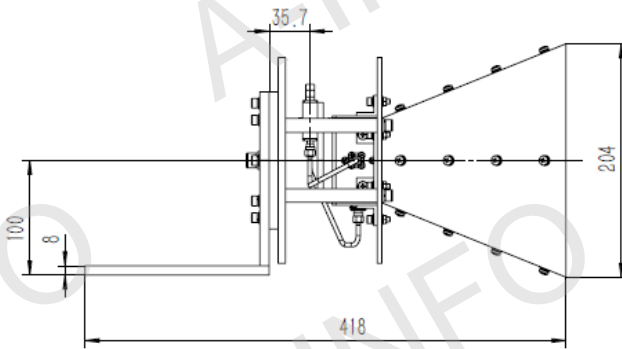
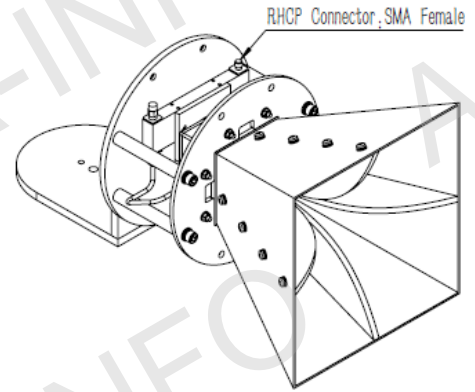
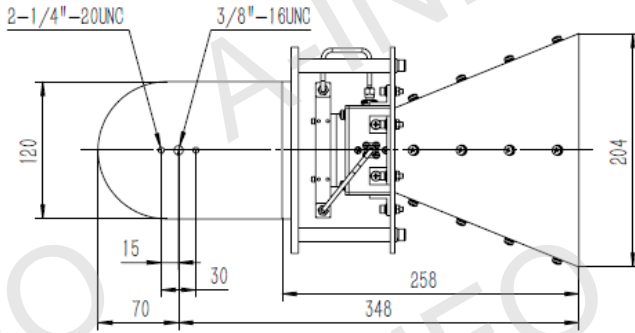
Frequency Range(GHz)	1.0 - 10.0
Gain(dBic)	11 Typ.
Polarization	RHCP
Axial Ratio(dB)	2.0 Typ. 3.0 Max.
3dB Beamwidth(deg)	78 - 20
VSWR	1.5:1 Typ.
Output	SMA-Female
Power Handling(W)	20 Max. CW
Material	Al
Size(mm)	204 x 204 x 258
Net Weight(Kg)	2.88 Around

## Outline Drawing (Size: mm)

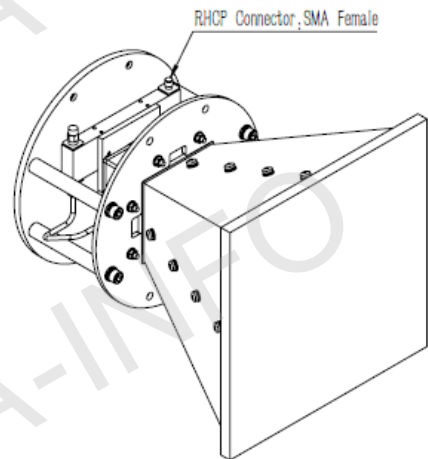
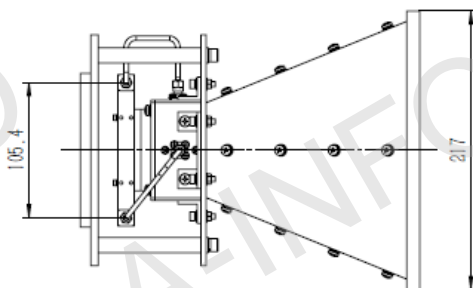
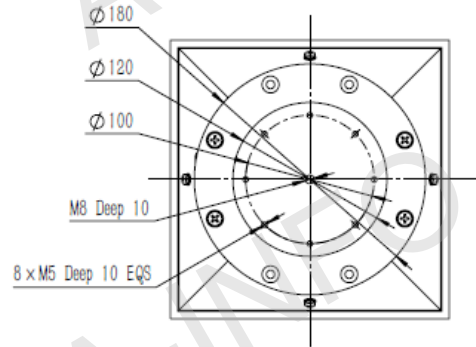
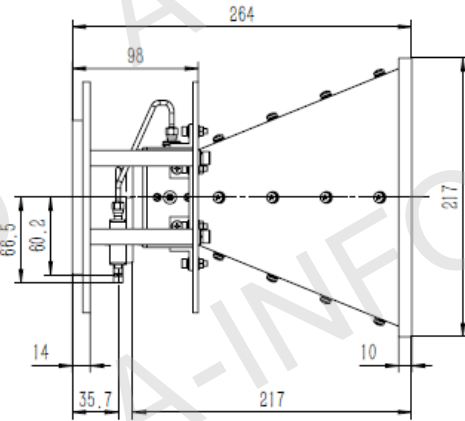
SMA-Female Output



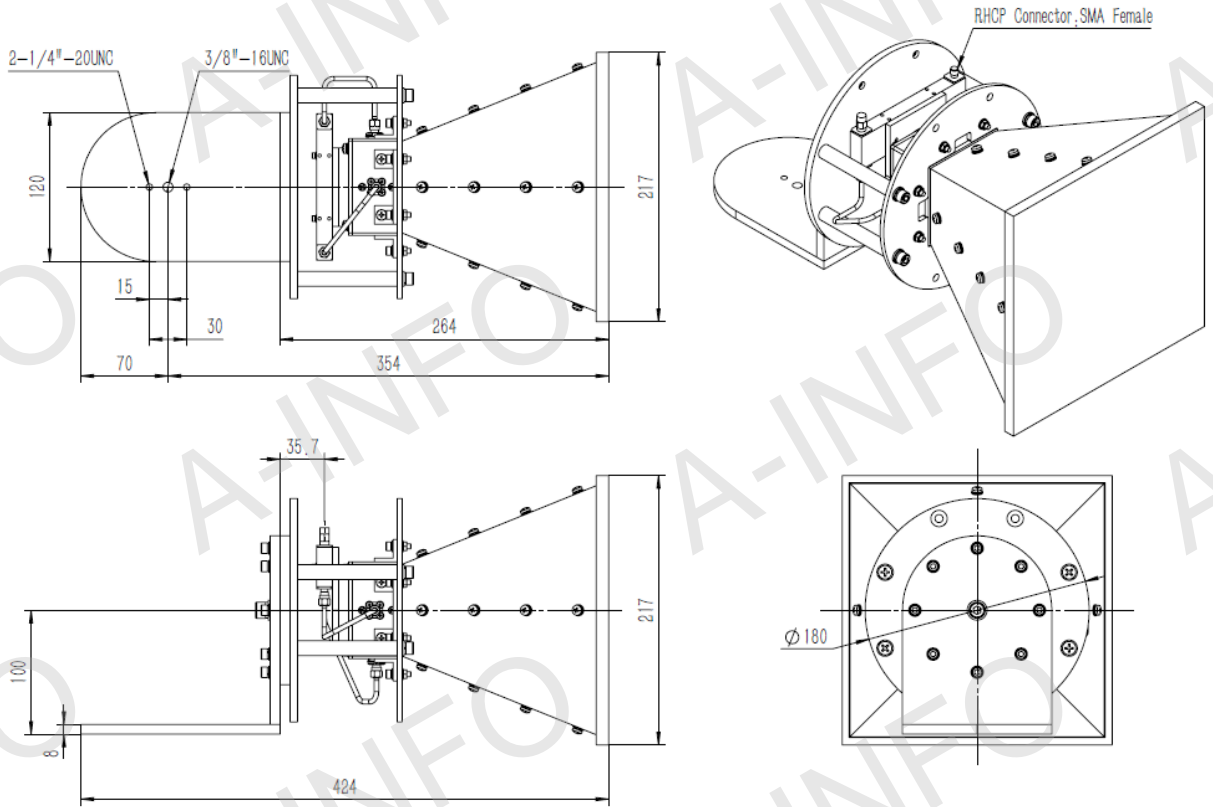
## SMA-Female Output with L Type Mounting Bracket



## SMA-Female Output with Radome

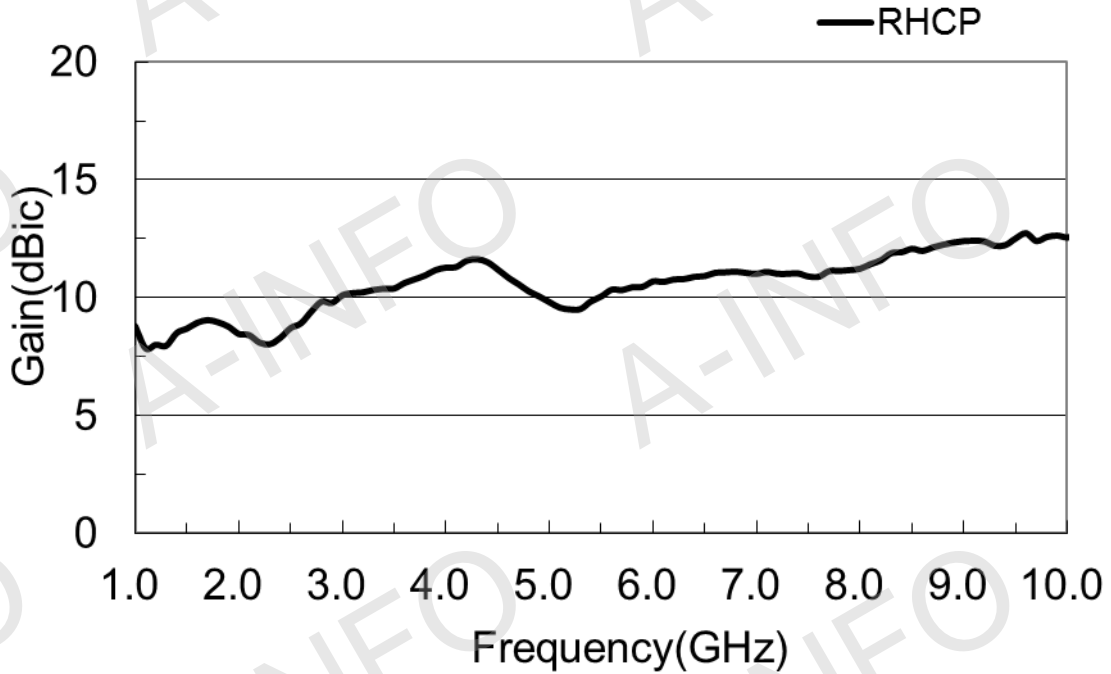


## SMA-Female Output with L Type Mounting Bracket & Radome

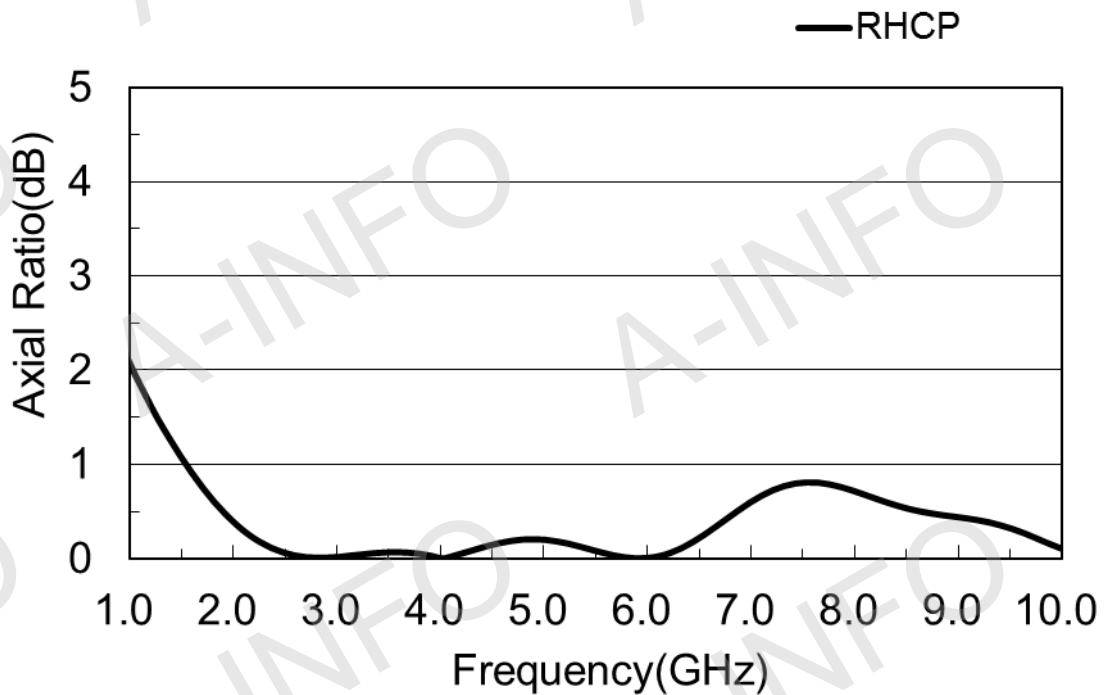


## Test Results

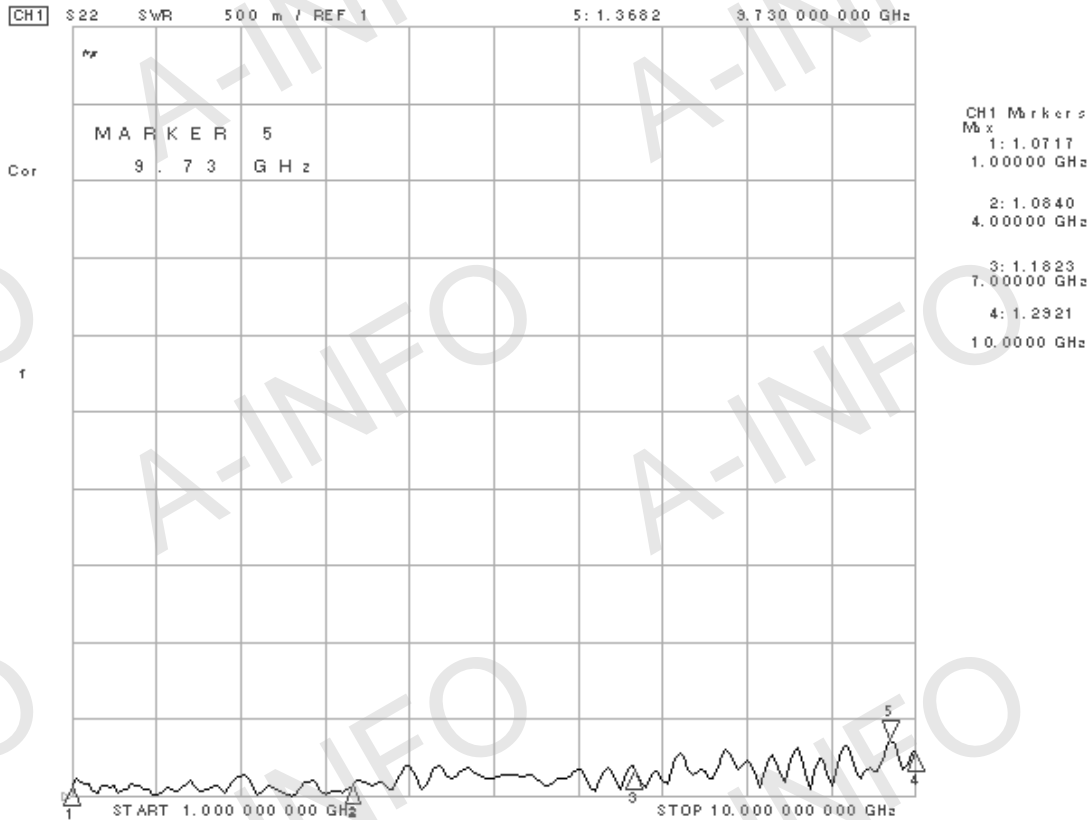
### 1. Gain



### 2. Axial Ratio



### 3. VSWR



### 4. Pattern

