

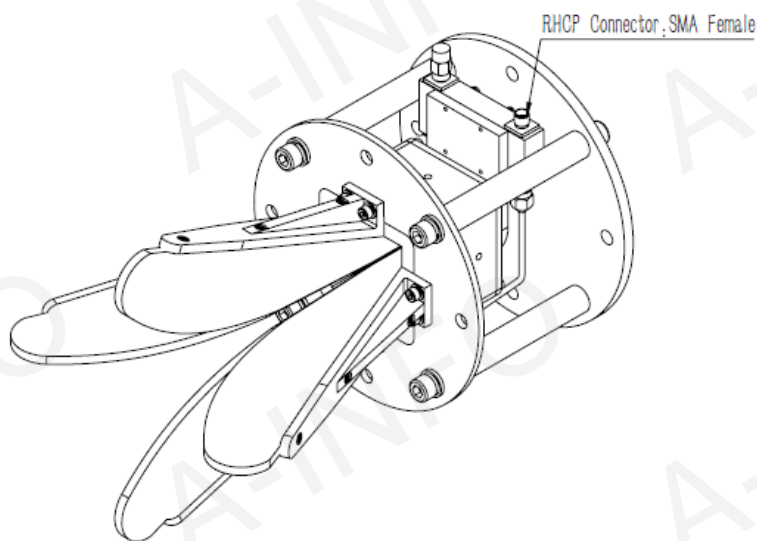
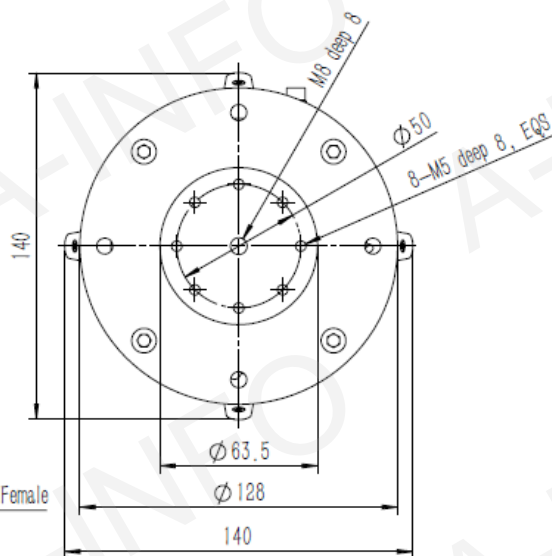
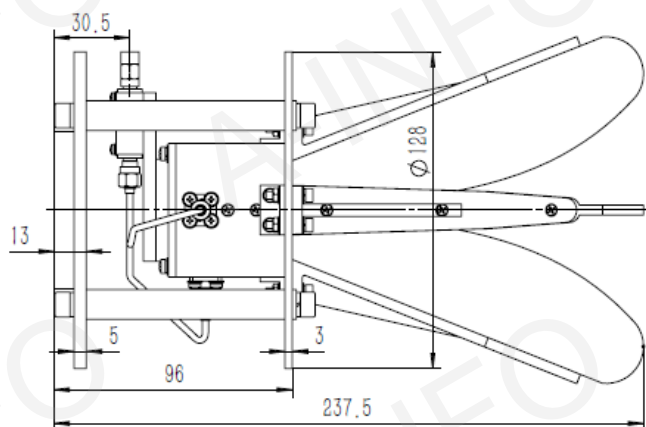
## Technical Specification



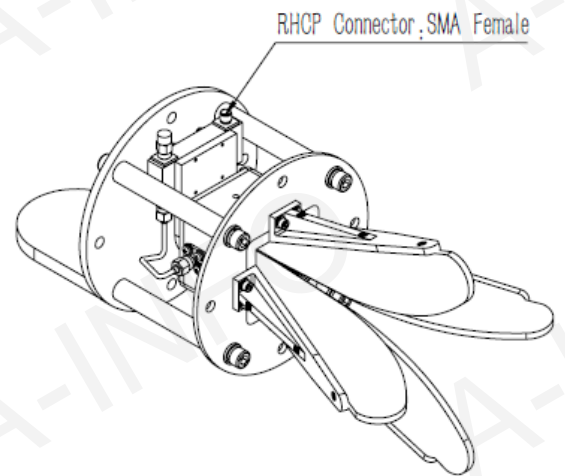
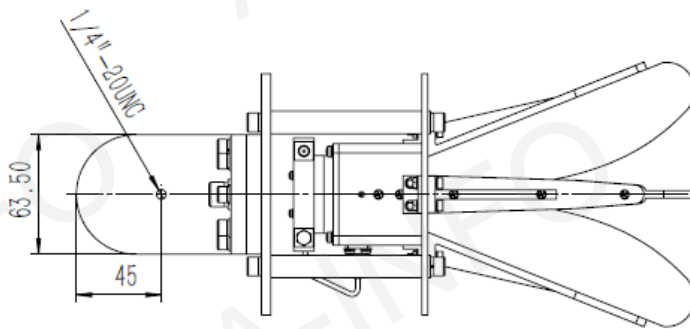
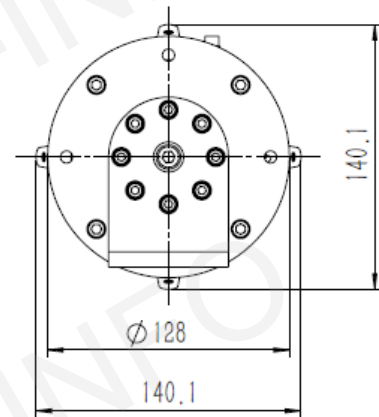
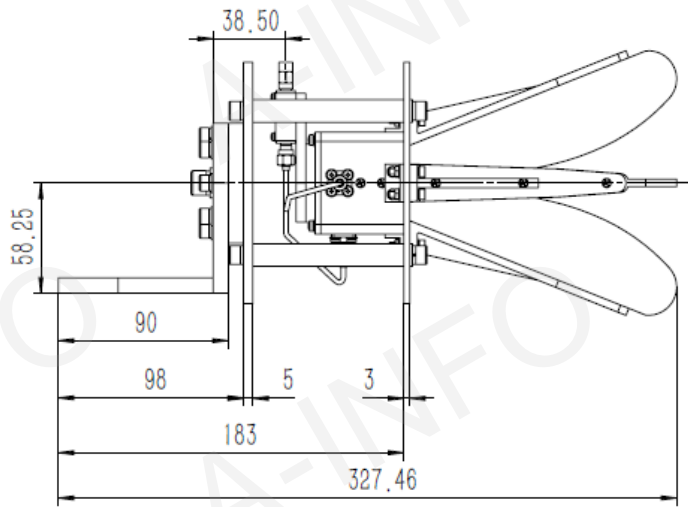
Frequency Range(GHz)	2-18
Gain(dBic)	11.5 Typ.
Polarization	RHCP
VSWR	2.0 Max.
Axial Ratio(dB)	4.0 Typ. 9.0 Max.
3dB Beamwidth(deg)	90-14
Connector	SMA-Female
Power Handling(W)	20 Max. CW
Size(mm)	140x140x237.5 Approx.
Net Weight(Kg)	1.1 Around

## Outline Drawing (Size: mm)

SMA Female Output

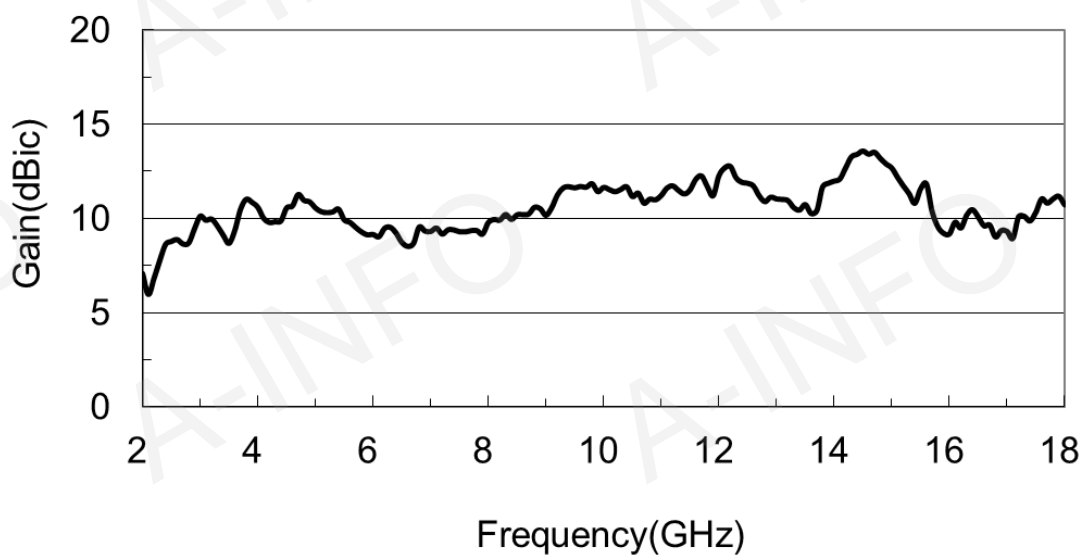


## SMA Female Output with L type mounting bracket

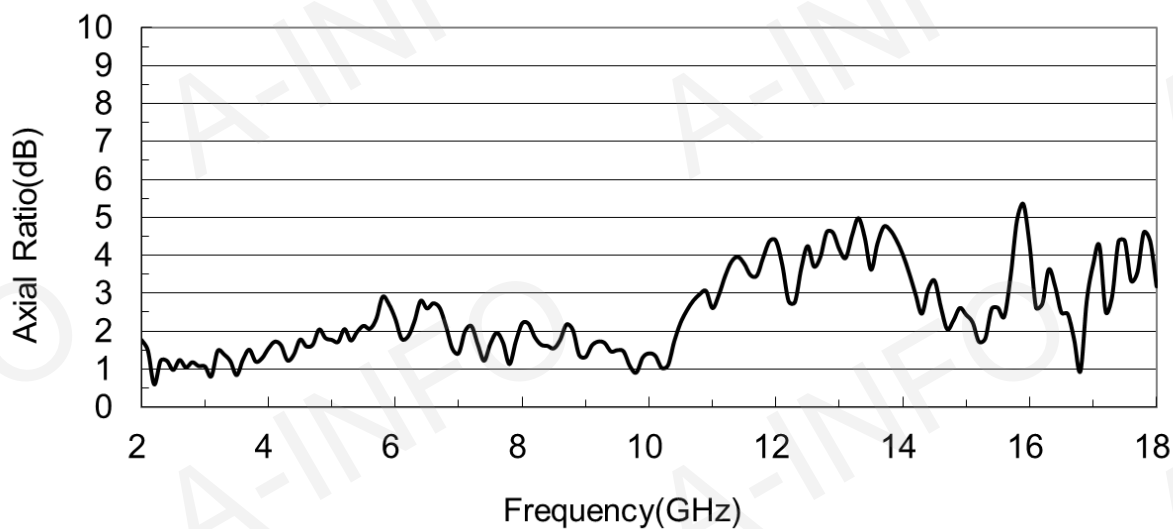


## Test Results

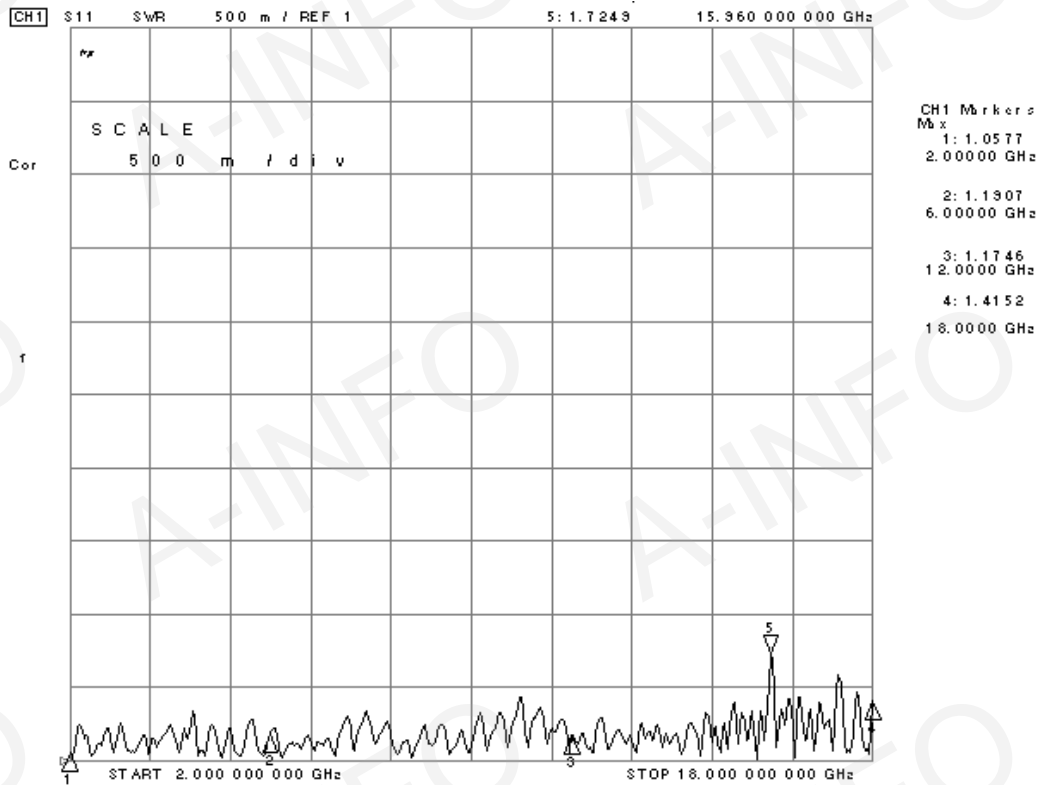
### 1. Gain



### 2. Axial Ratio



### 3. VSWR



### 4. Pattern

