

Technical Specification

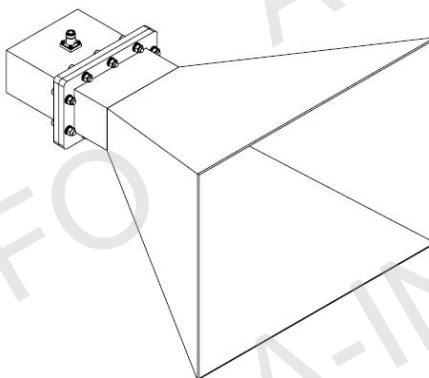
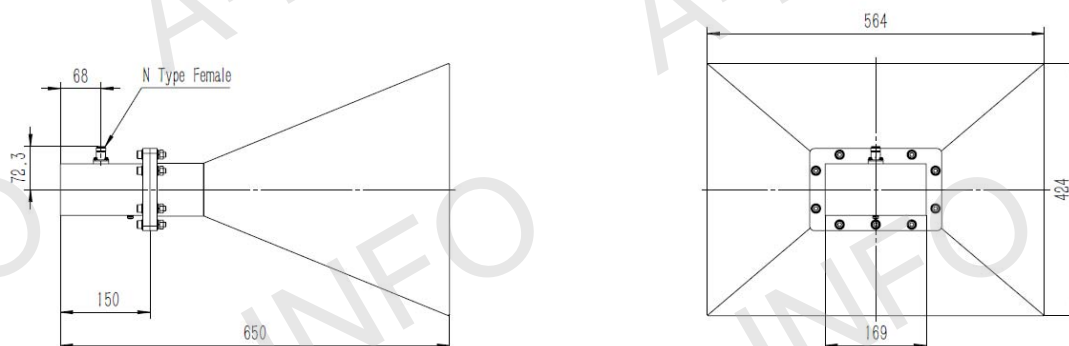


Frequency Range(GHz)	1.0 - 2.0
Gain(dBi)	15 Typ.
Polarization	Linear
3dB Beamwidth(deg)	E Plane: 34 - 19
	H Plane: 36 - 20
Cross Pol. Isolation(dB)	35 Typ.
VSWR	1.5:1 Typ.
Output	N-Female
	or SMA-Female
	or 7/16-Female
Power Handling(W)	N-Female: 300 Max. CW
	SMA-Female: 50 Max. CW
	7/16-Female: 500 Max. CW
Material	Al
Size(mm)	564 x 424 x 650
Net Weight(Kg)	6.95 Around

Outline Drawing (Size: mm)

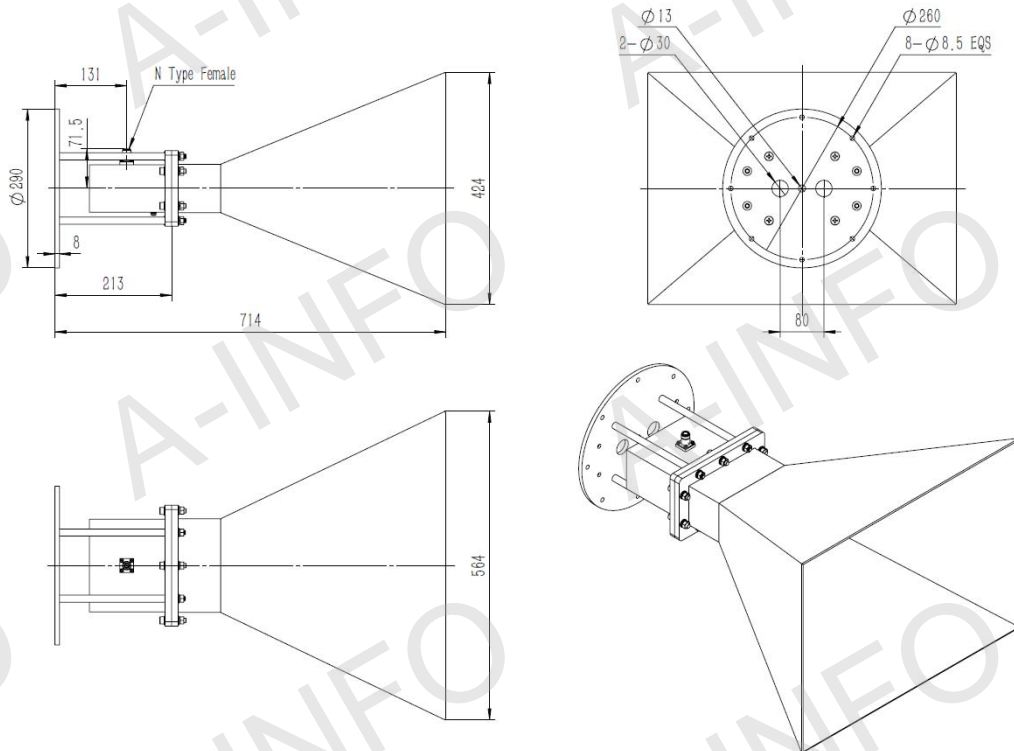
N-Female Output

For SMA-Female or 7/16-Female output outline drawing, please contact A-INFO.



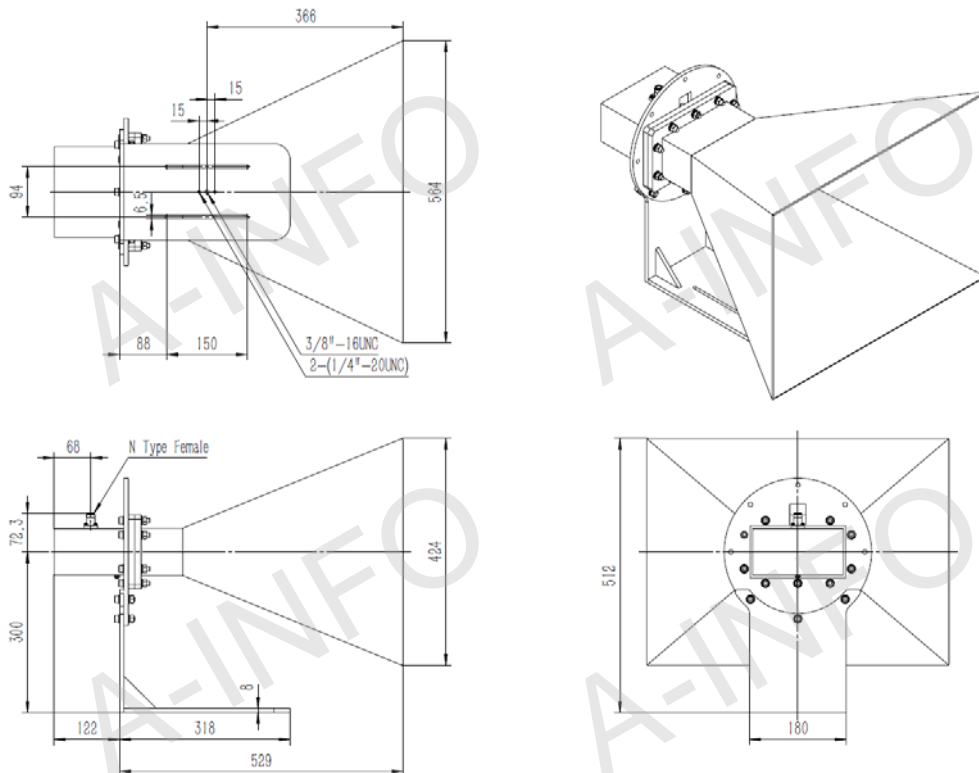
N-Female Output with Round Mounting Bracket

For SMA-Female or 7/16-Female output outline drawing, please contact A-INFO.



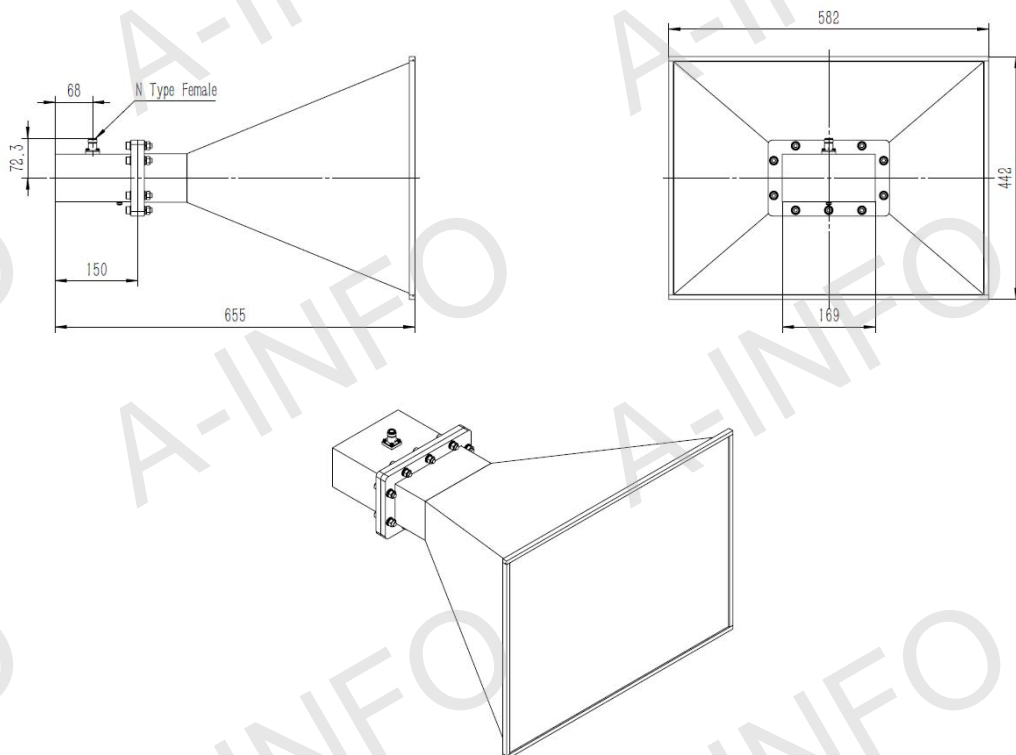
N-Female Output with L type Mounting Bracket

For SMA-Female or 7/16-Female output outline drawing, please contact A-INFO.



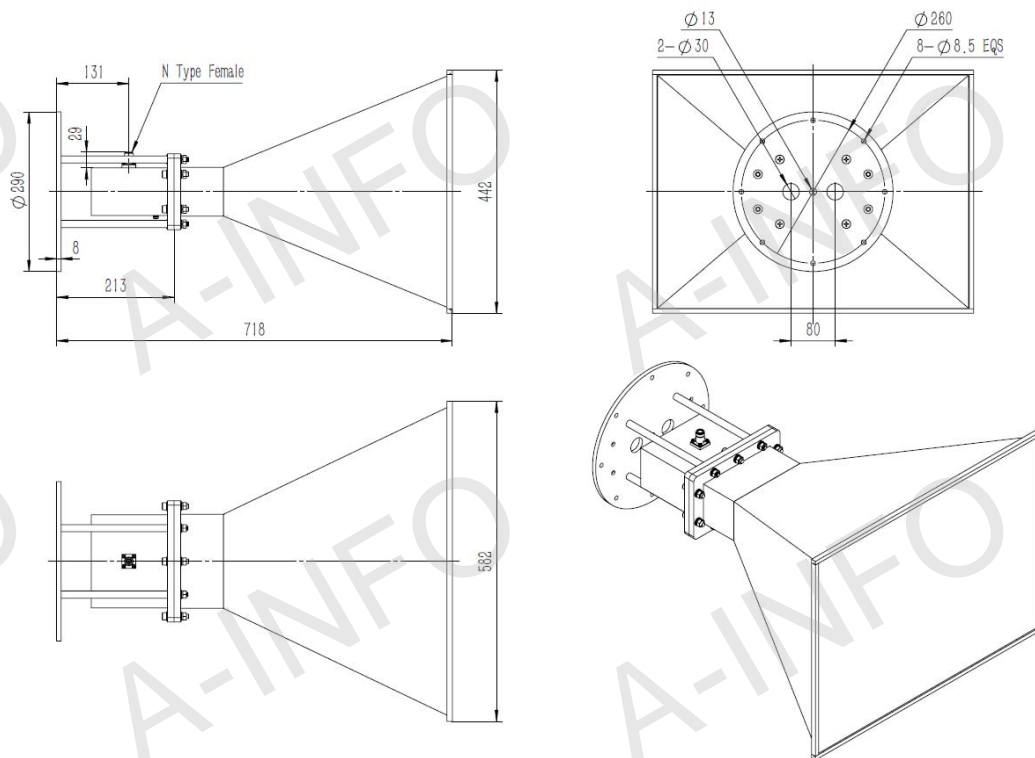
N-Female Output with Radome

For SMA-Female or 7/16-Female output outline drawing, please contact A-INFO.



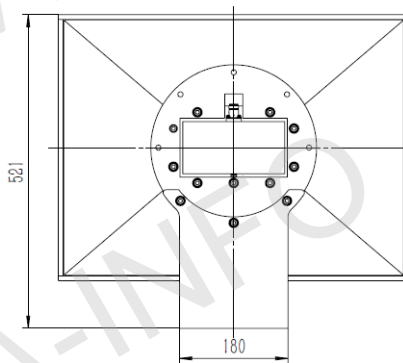
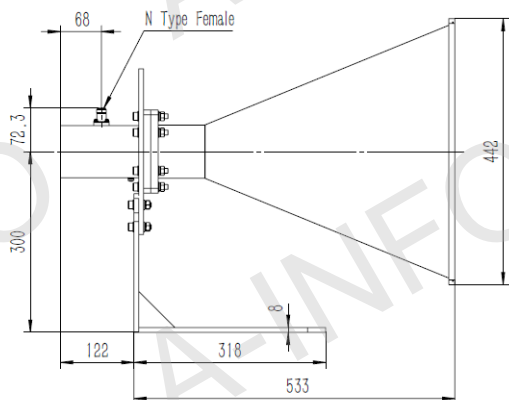
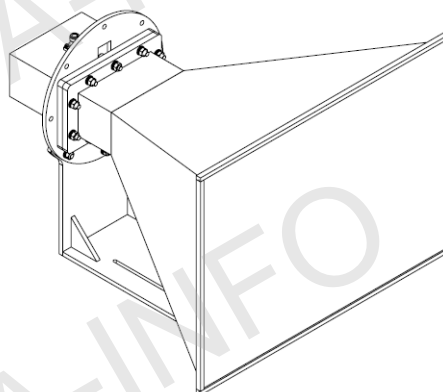
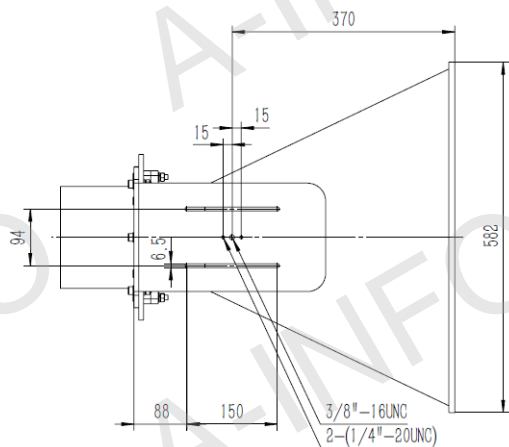
N-Female Output with Round Mounting Bracket and Radome

For SMA-Female or 7/16-Female output outline drawing, please contact A-INFO.



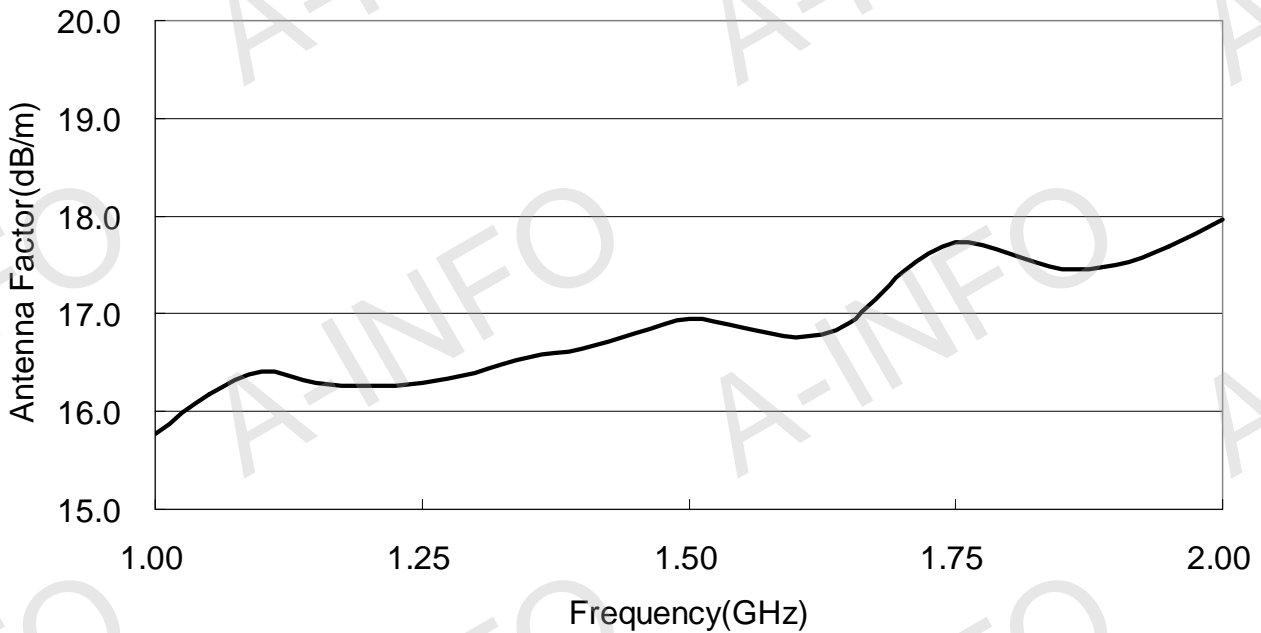
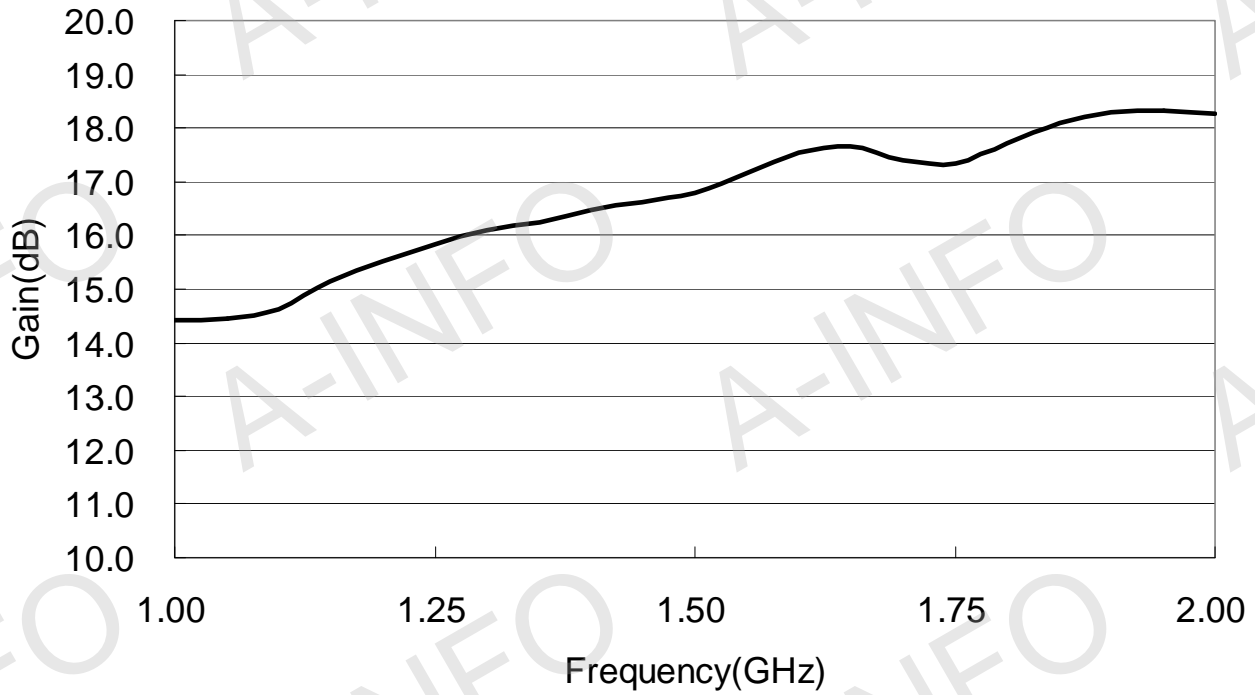
N-Female Output with L type Mounting Bracket and Radome

For SMA-Female or 7/16-Female output outline drawing, please contact A-INFO.

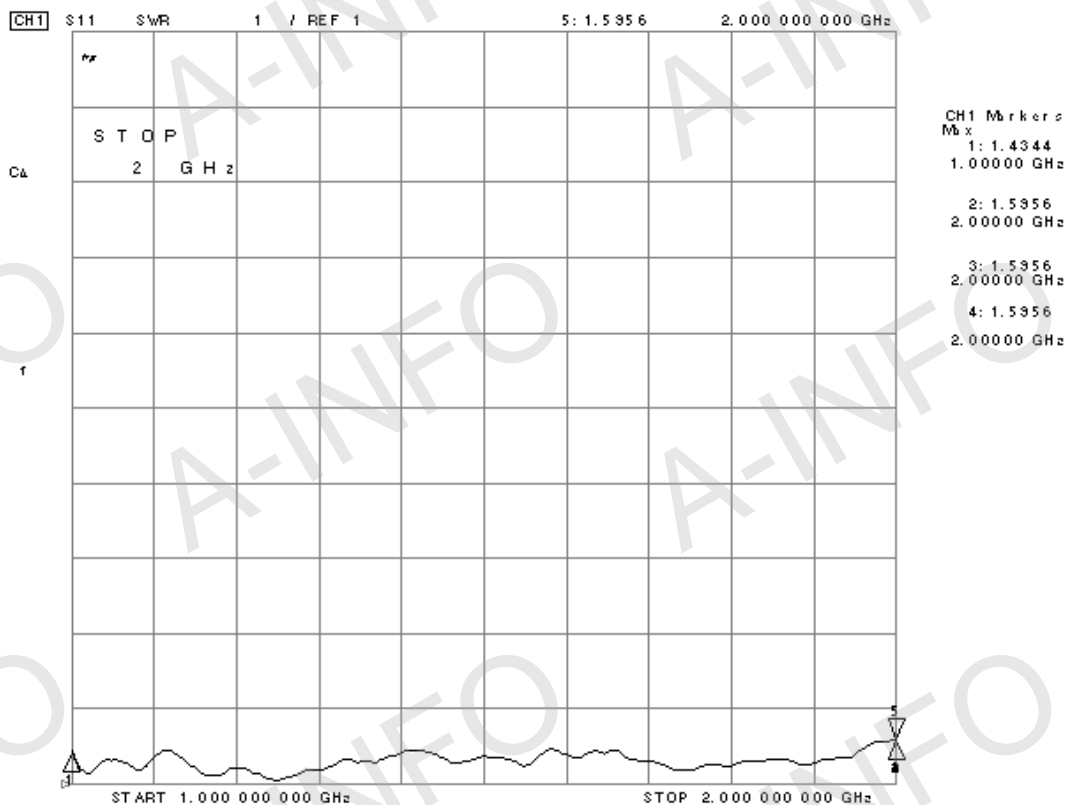


Test Results

1. Gain & Antenna Factor



2. VSWR



3. Pattern

