

## Technical Specification

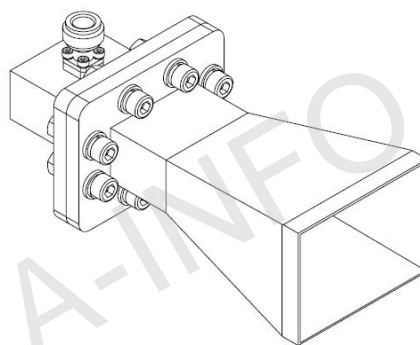
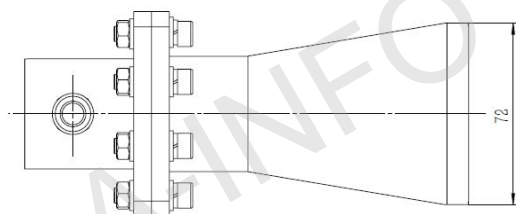
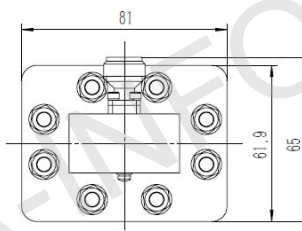
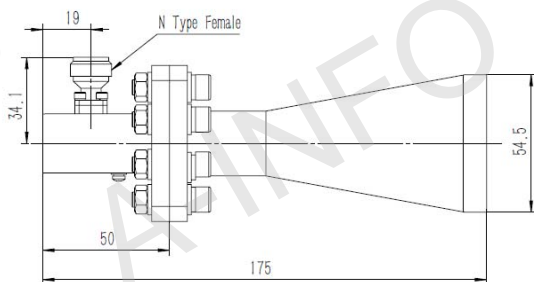


Frequency Range(GHz)	4.0 - 8.0
Gain(dBi)	10 Typ.
Polarization	Linear
3dB Beamwidth(deg)	E Plane: 59 - 34
	H Plane: 86 - 34
Cross Pol. Isolation(dB)	25 Typ.
VSWR	1.5:1 Typ.
Output	N-Female
	or SMA-Female
	or TNC-Female
	or 7mm or 3.5mm-Female
Power Handling(W)	N-Female: 150 Max. CW
	SMA-Female: 50 Max. CW
	TNC-Female: 150 Max. CW
	7mm: 150 Max. CW
	3.5mm-Female: 50 Max. CW
Material	Al
Size(mm)	81 x 65 x 175
Net Weight(Kg)	0.35 Around

## Outline Drawing (Size: mm)

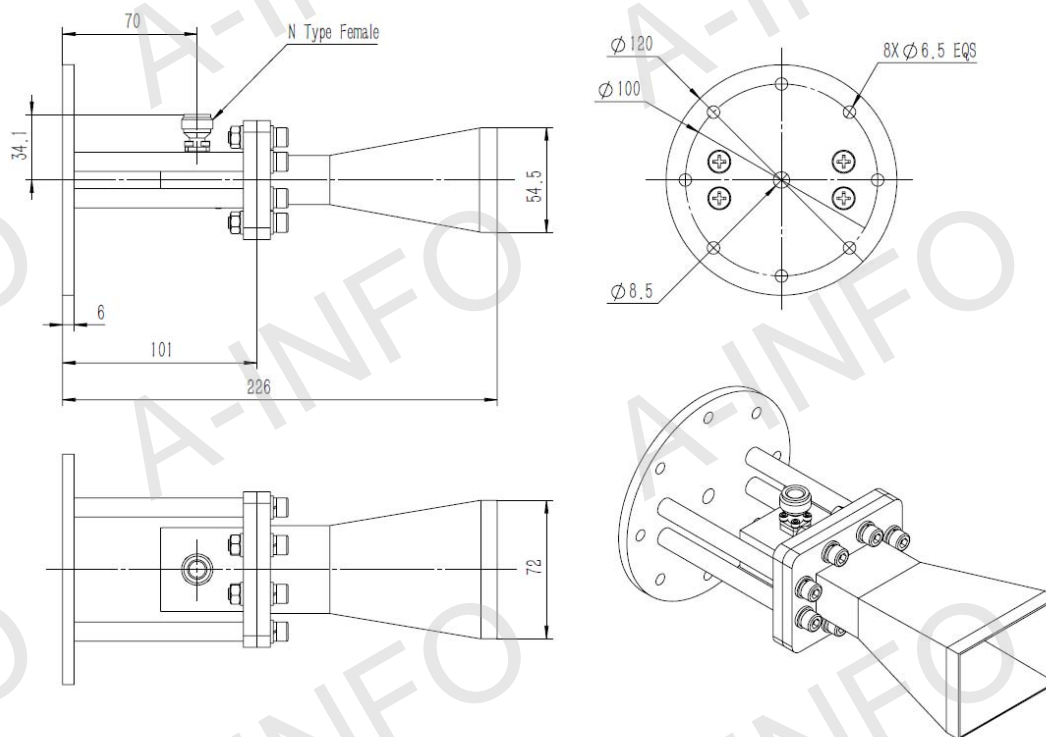
### N-Female Output

For SMA-Female, TNC- Female, 7mm or 3.5mm-Female output outline drawing, please contact A-INFO.



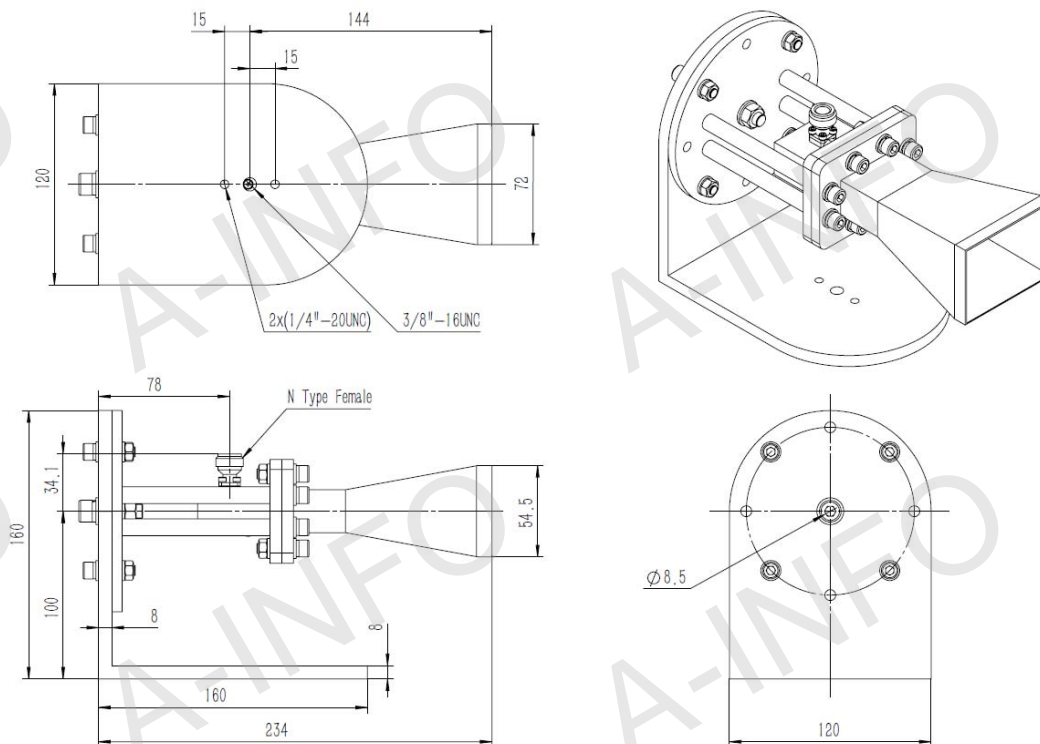
## N-Female Output with Round Mounting Bracket

For SMA-Female, TNC- Female, 7mm or 3.5mm-Female output outline drawing, please contact A-INFO.



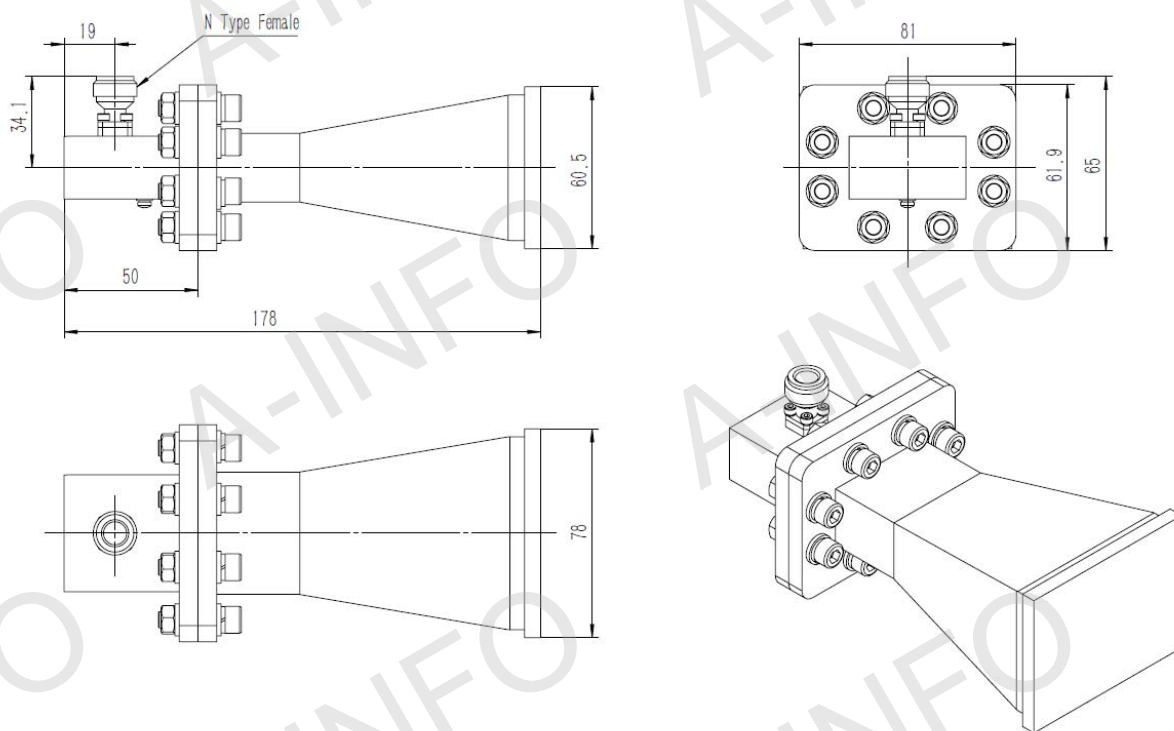
## N-Female Output with L type Mounting Bracket

For SMA-Female, TNC- Female, 7mm or 3.5mm-Female output outline drawing, please contact A-INFO.



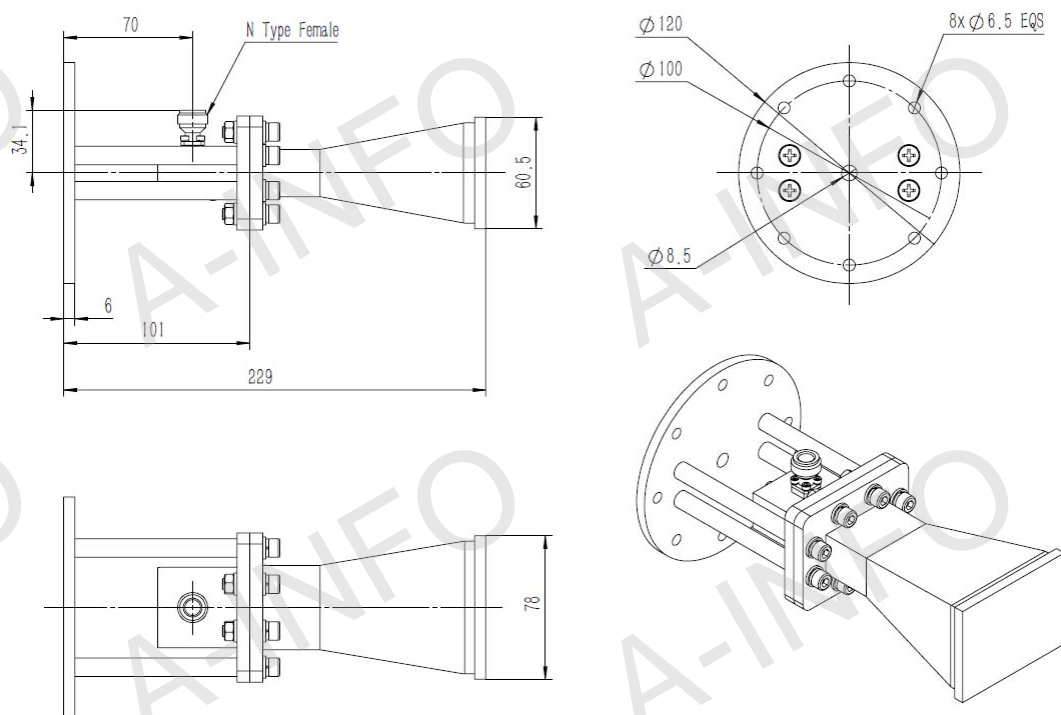
## N-Female Output with Radome

For SMA-Female, TNC- Female, 7mm or 3.5mm-Female output outline drawing, please contact A-INFO.



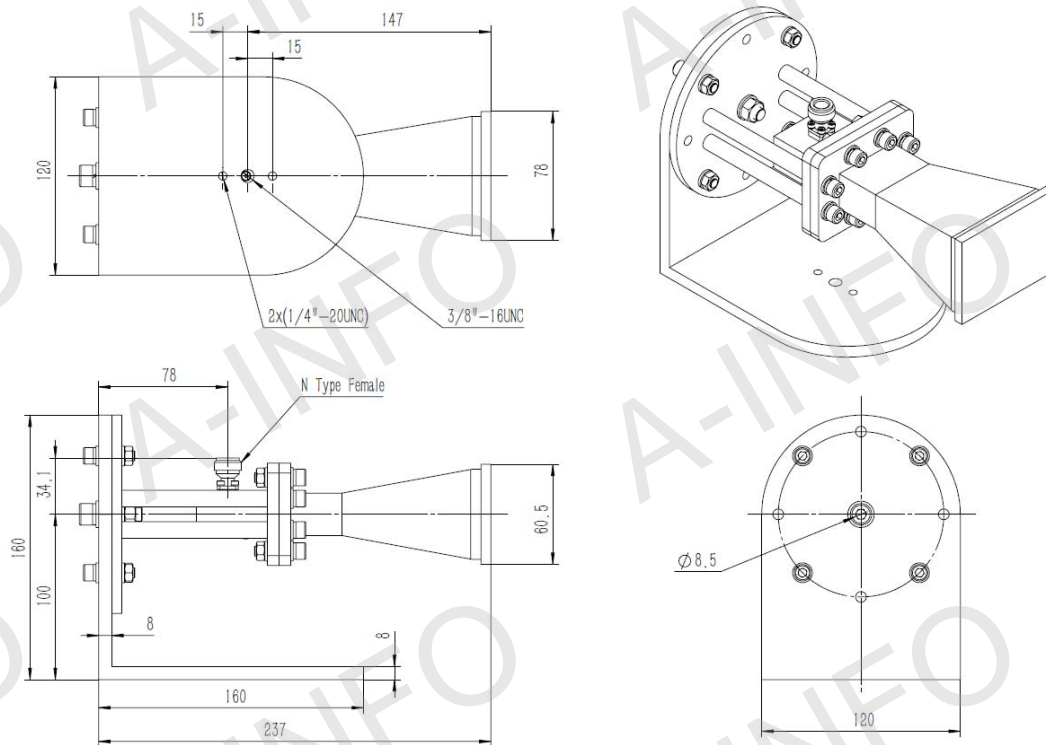
## N-Female Output with Round Mounting Bracket and Radome

For SMA-Female, TNC- Female, 7mm or 3.5mm-Female output outline drawing, please contact A-INFO.



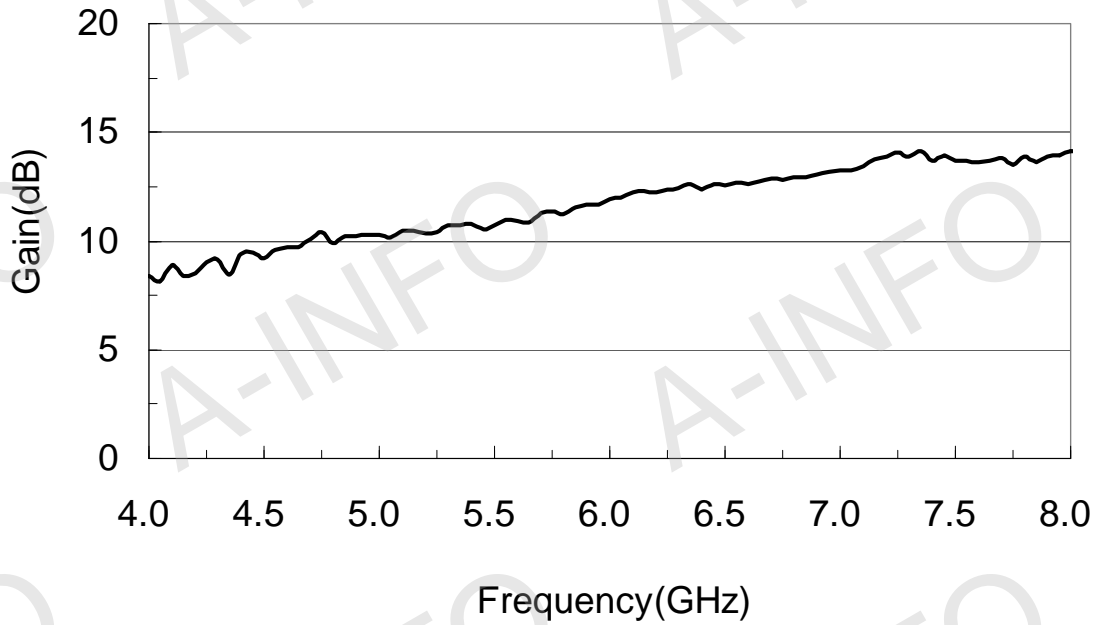
## N-Female Output with L type Mounting Bracket and Radome

For SMA-Female, TNC- Female, 7mm or 3.5mm-Female output outline drawing, please contact A-INFO.

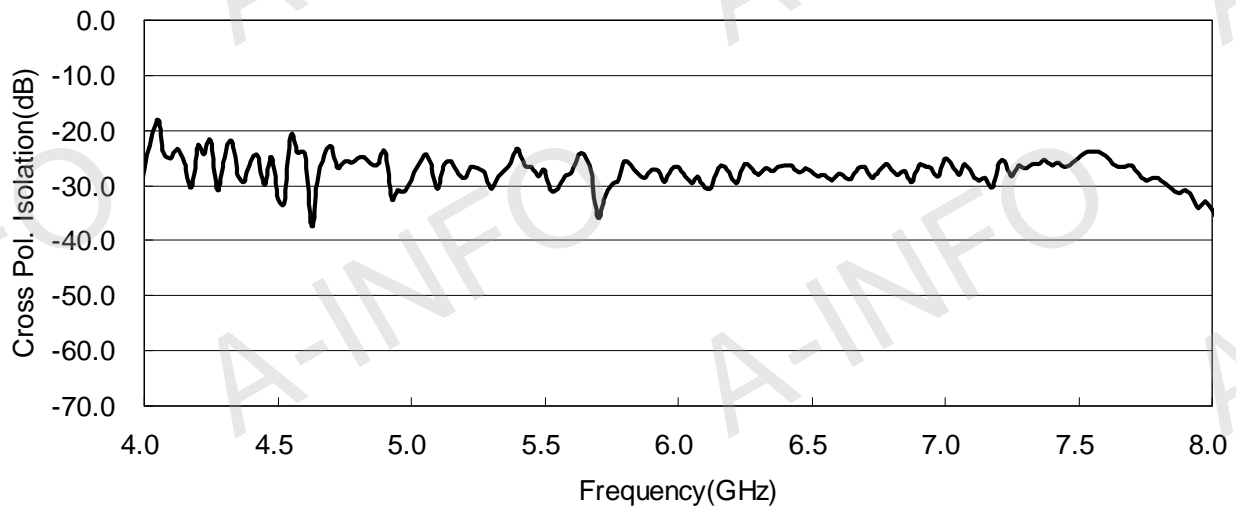


## Test Results

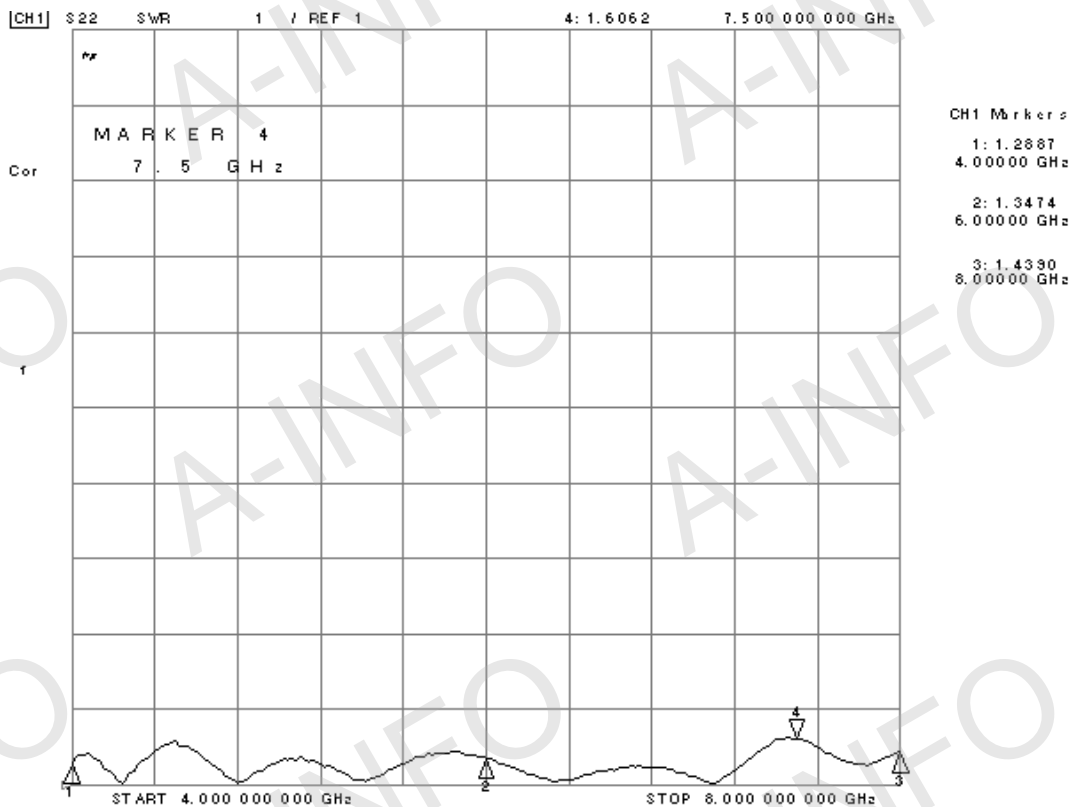
### 1. Gain



### 2. Cross Pol. Isolation



### 3. VSWR



## 4. Pattern

