

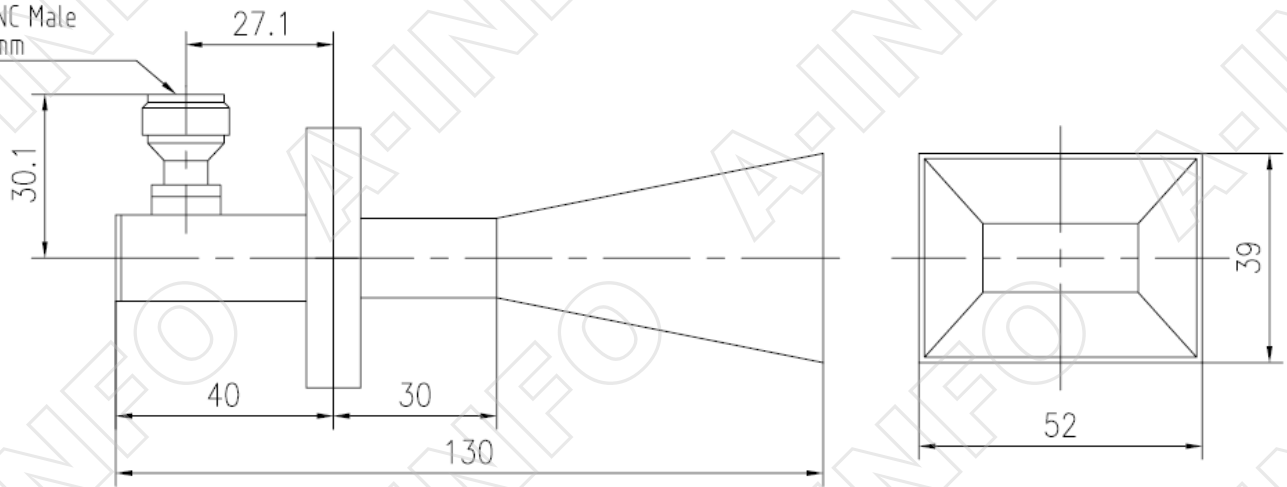
## Technical Specification



Frequency Range(GHz)	6.0 - 12.0
Gain(dB)	10 Typ.
VSWR	1.5 Typ.
Cross Pol. Isolation(dB)	-20 max
Material	Al
Output	N / SMA / 3.5mm / TNC / 7mm
Size(mm) W x H x L	52x39x130
Net Weight(Kg)	0.2 Around

## Outline Drawing (Size: mm)

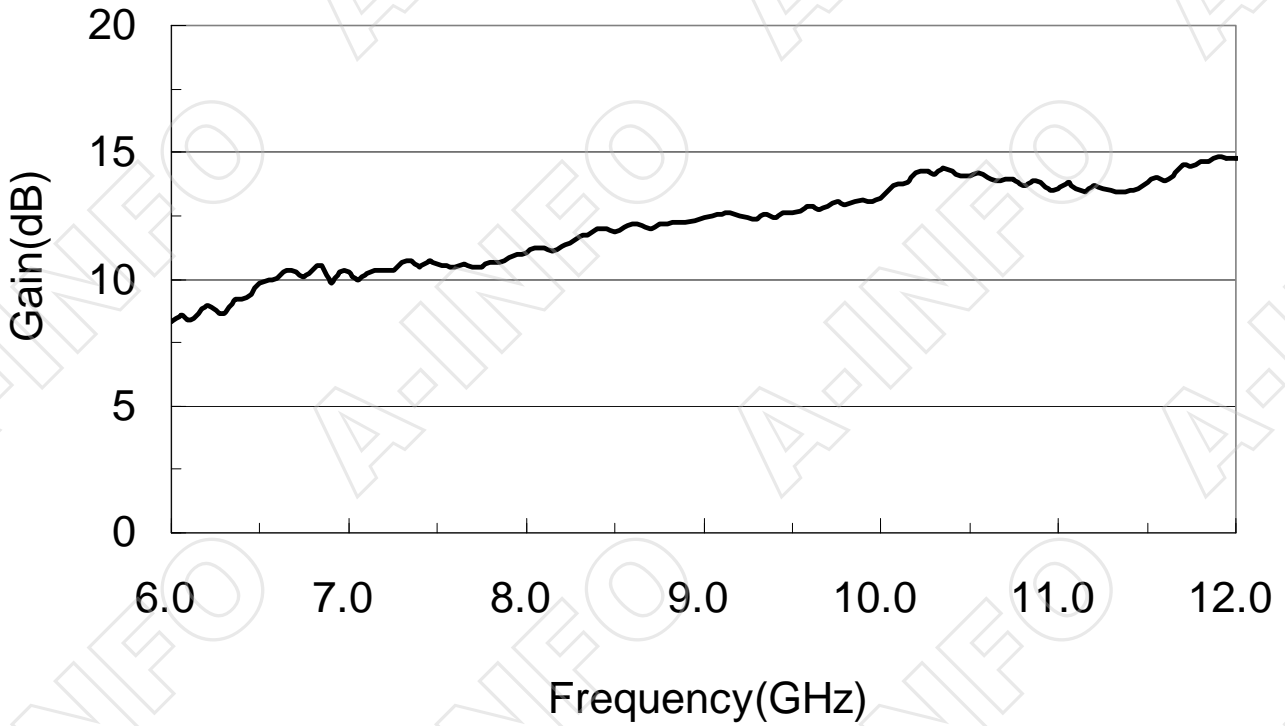
N type Female  
N type Male  
SMA Female  
SMA Male  
3.5mm Female  
3.5mm Male  
TNC Female  
TNC Male  
7mm



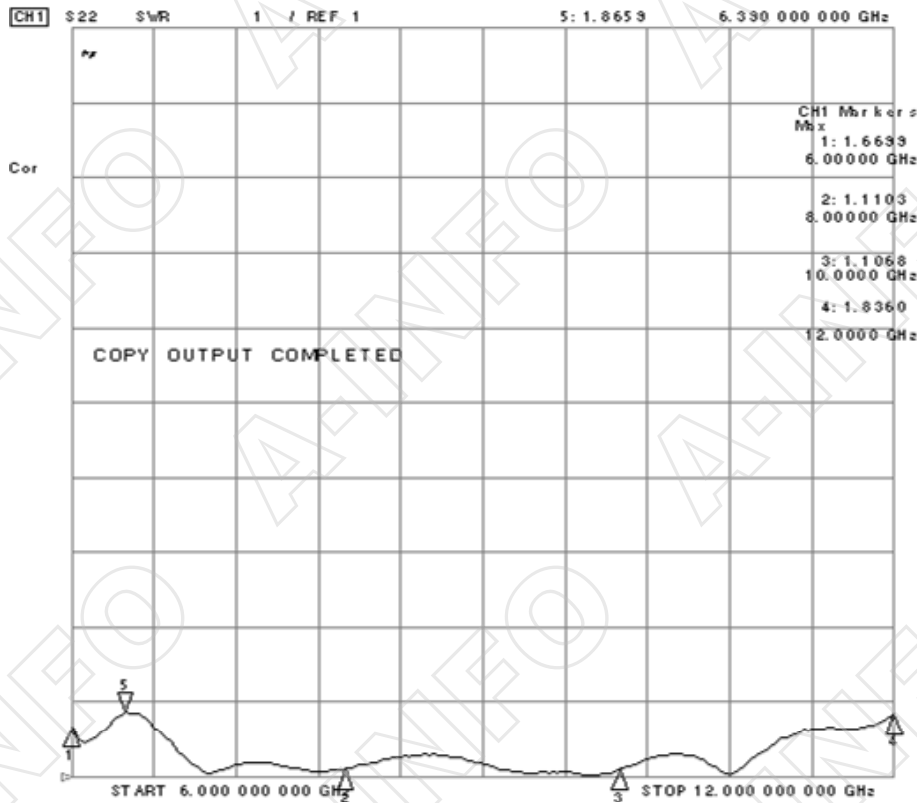
W x H x L: 52x39x130

## Test Results

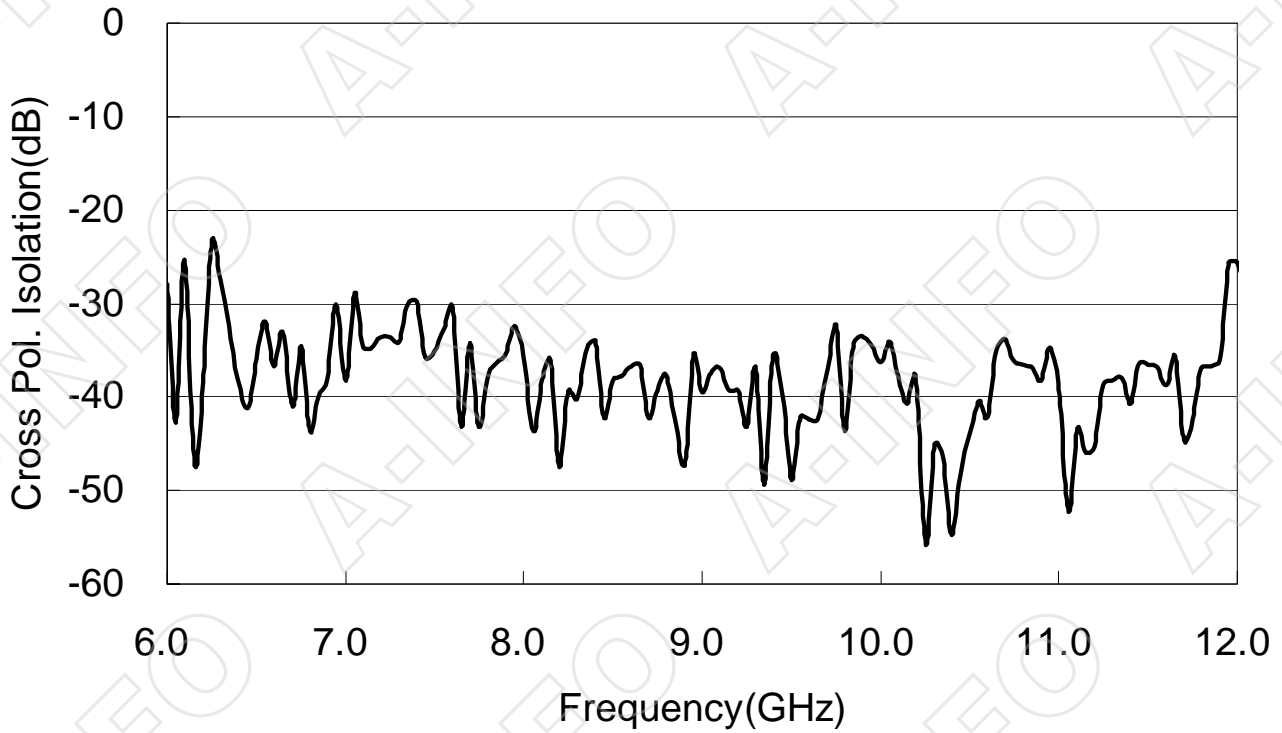
### 1. Gain



### 2. VSWR



### 3. Cross Polarization Isolation



### 4. Pattern

