

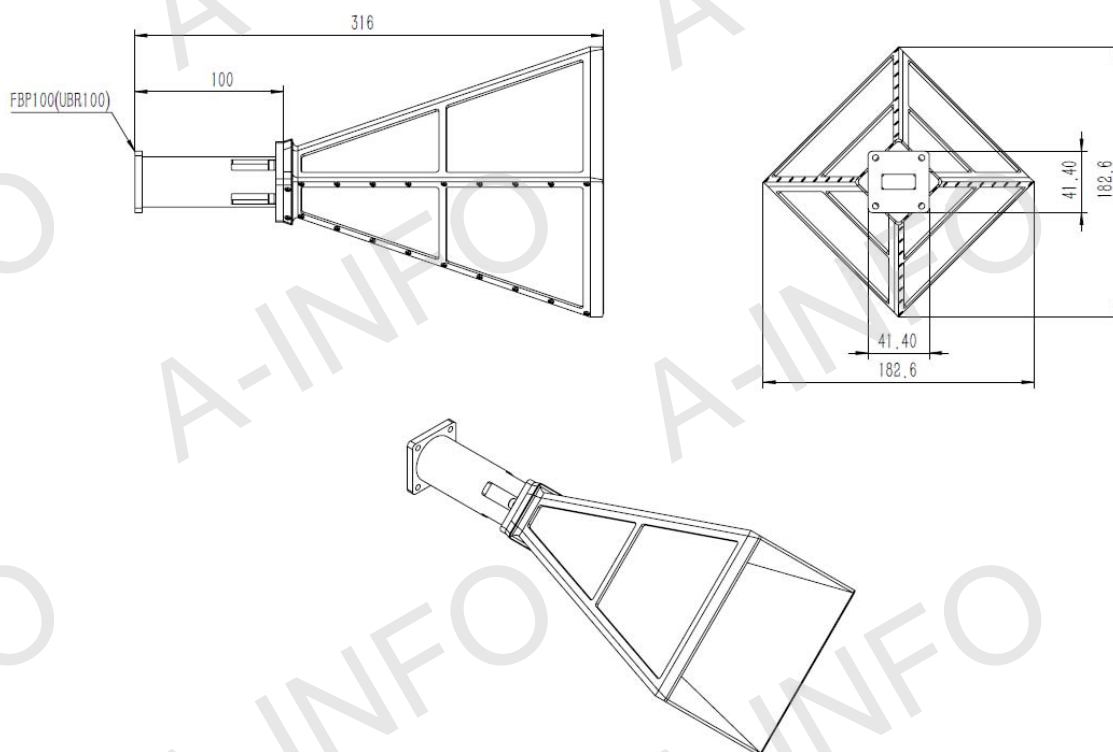
## Technical Specification



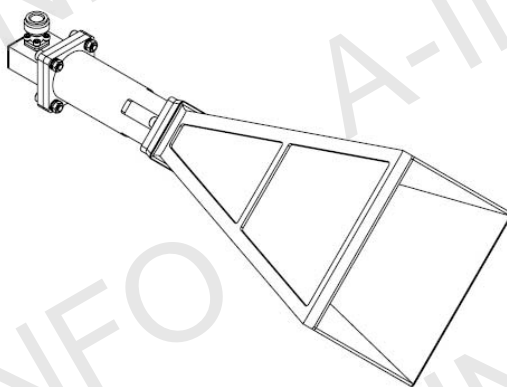
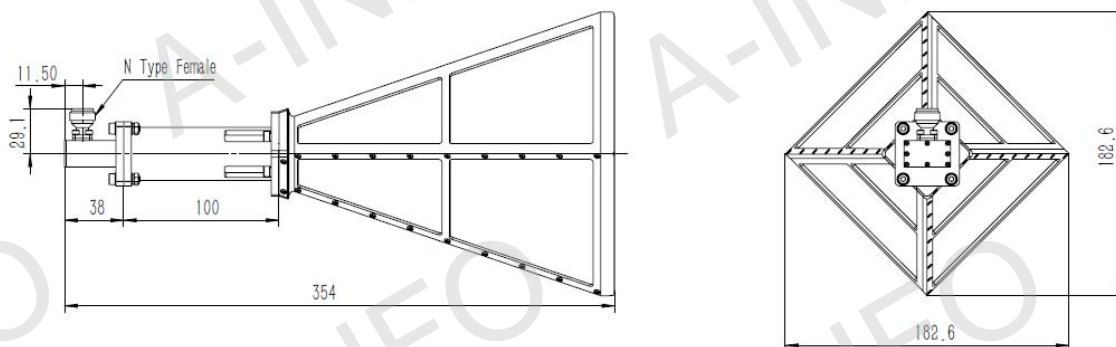
Frequency Range(GHz)	8.2-12.4
Gain(dB)	20 Typ.
Waveguide	WR 90
Sidelobe(dB)	E Plane: -30dB Max.
	H Plane: -35dB Max.
Cross Pol. Isolation(dB)	-40 Typ.
VSWR	A Type: 1.2 Max.
	C Type: 1.5 Max.
Output	A Type: FBP100(UBR100)
	C Type: N-Female or SMA-F
Material	Al
Size(mm)	A Type: 316x182.6x182.6
	C Type: 354x182.6x182.6
Net Weight(Kg)	A Type: 0.62 Around
	C Type: 0.70 Around

## Outline Drawing (Size: mm)

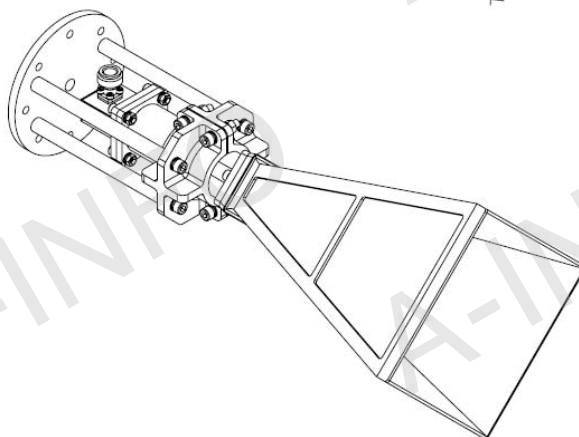
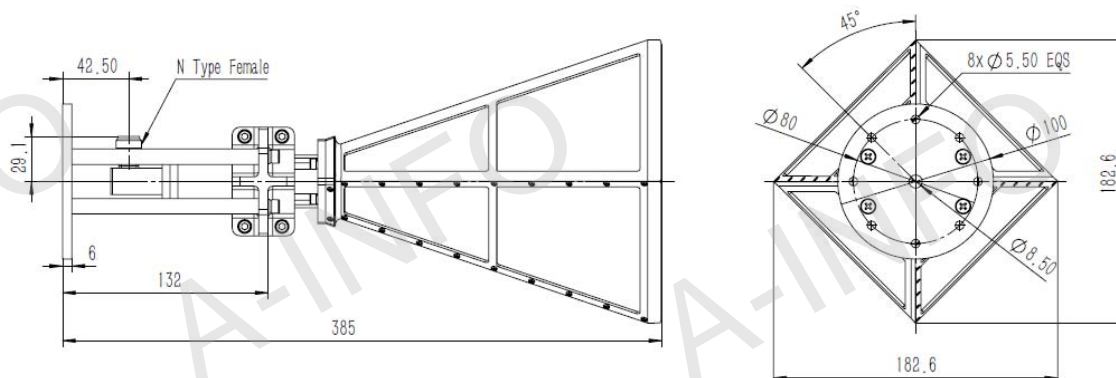
A Type(With FBP100 Output)



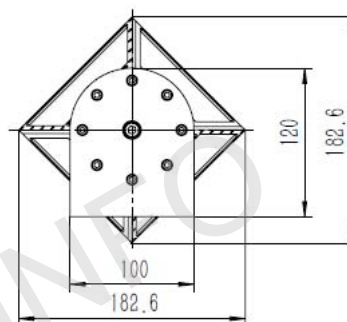
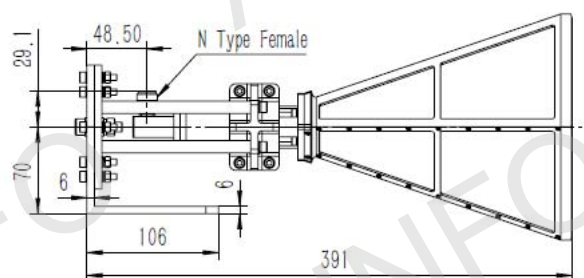
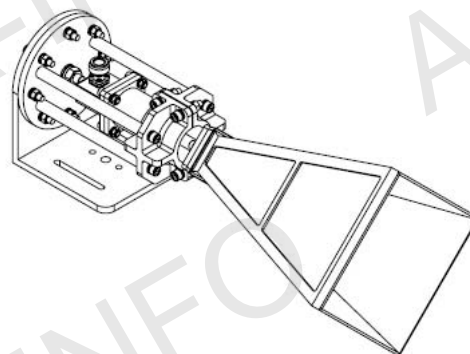
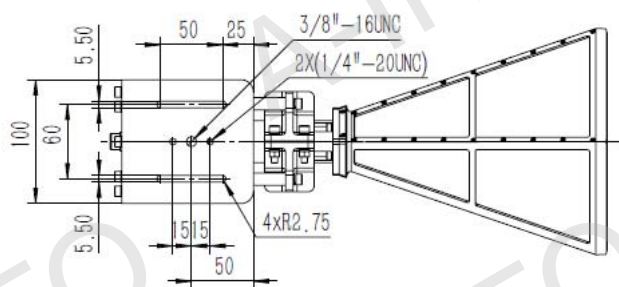
C Type (With N Type Female Output)



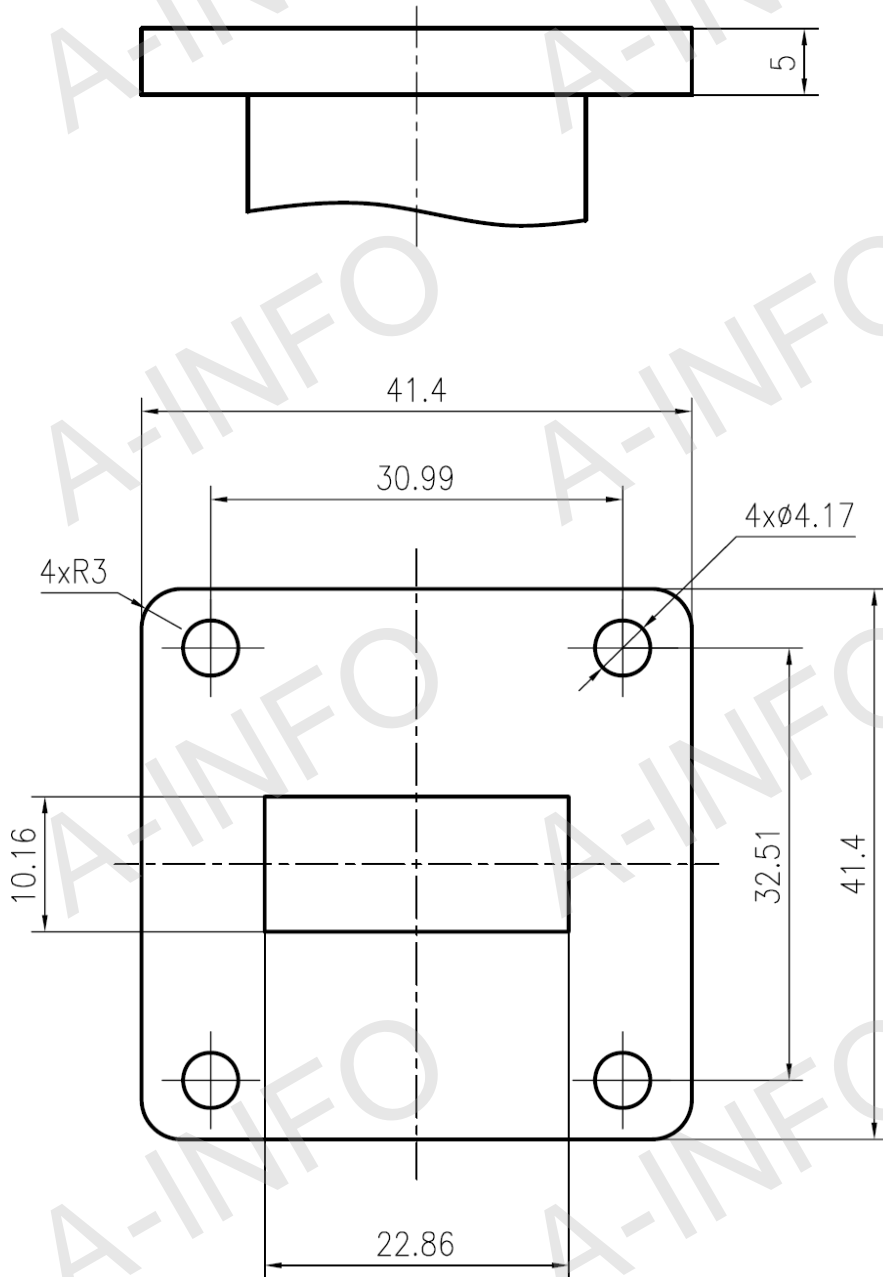
C Type (With N Type Female Output & Round Mounting Bracket)



## C Type (With N Type Female Output & L Type Mounting Bracket)



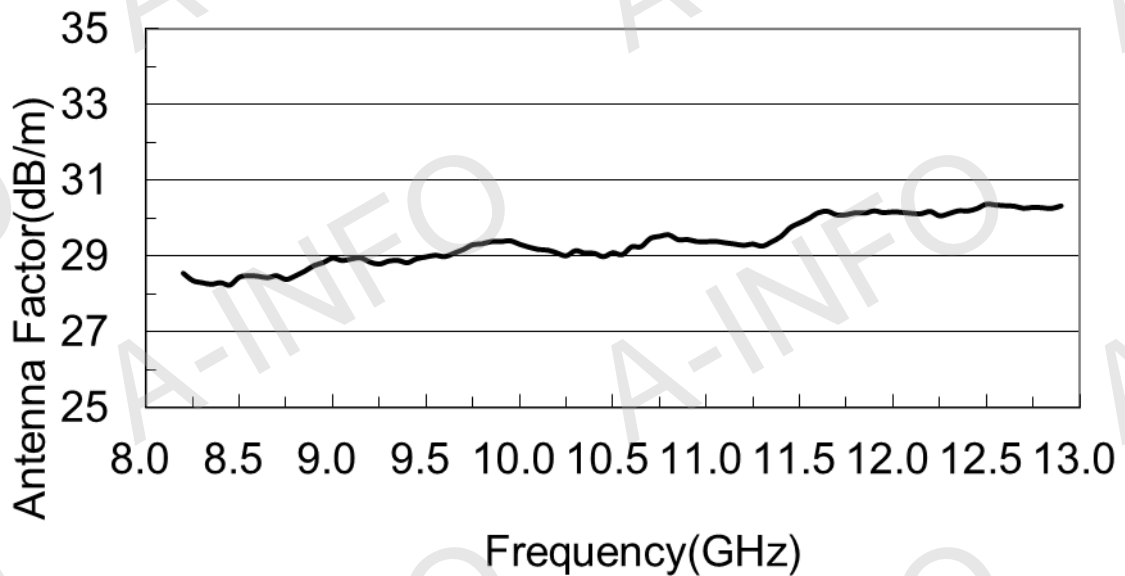
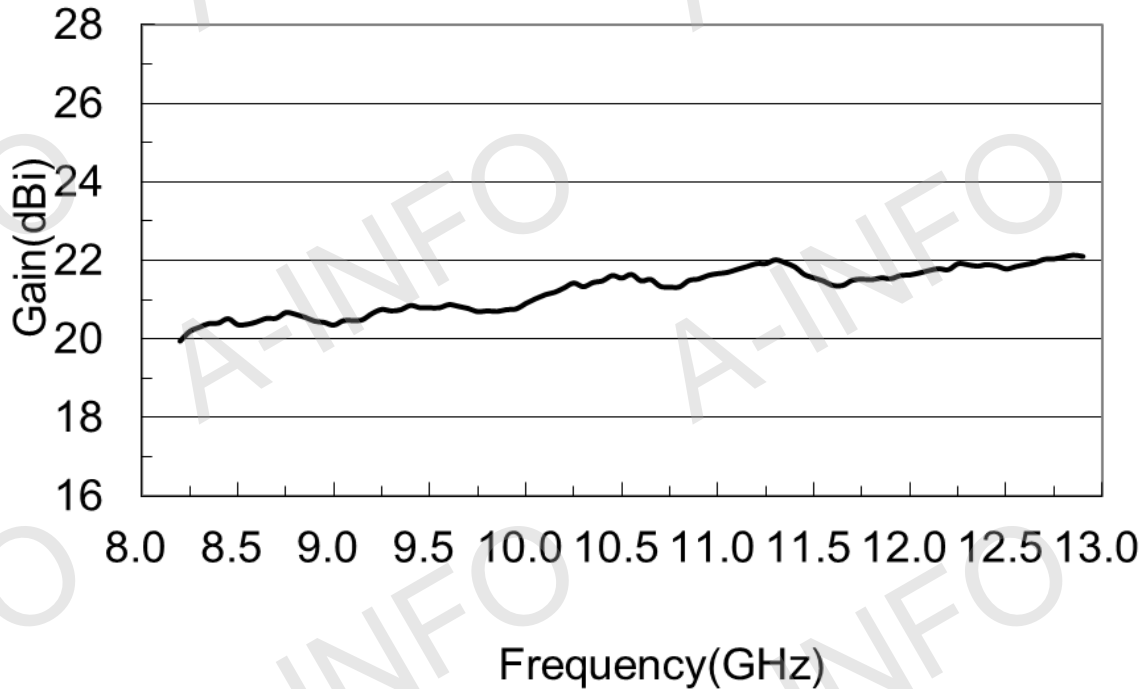
## Flange Drawing (Size: mm)



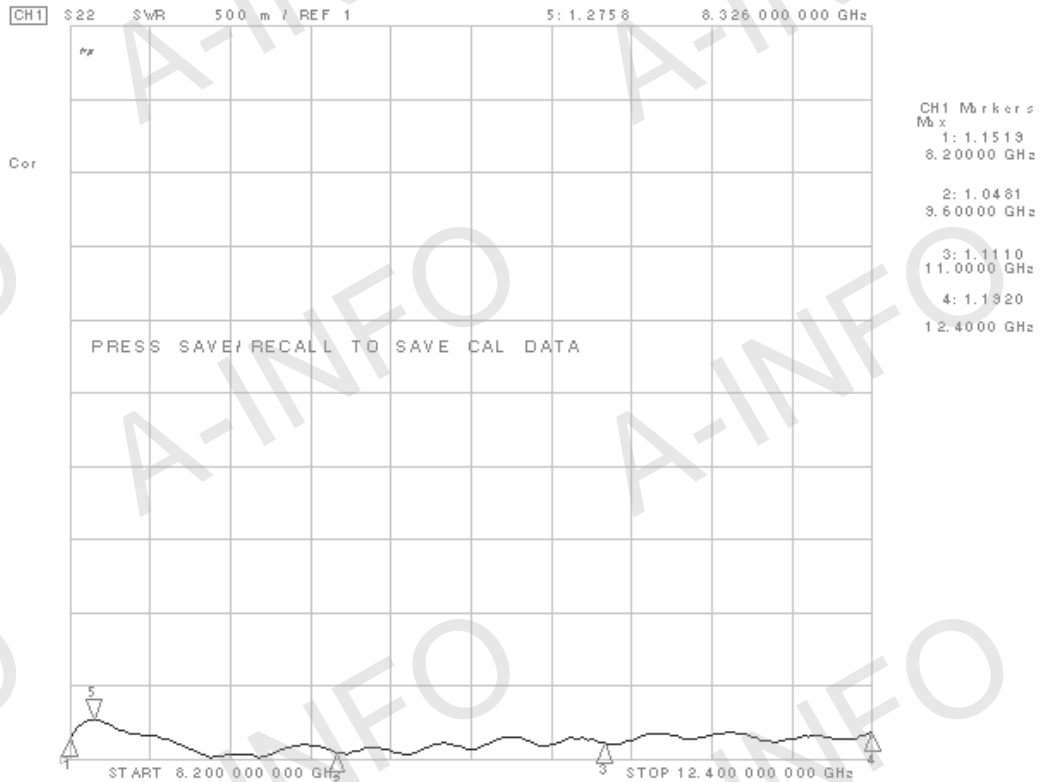
### FBP100

## Test Results

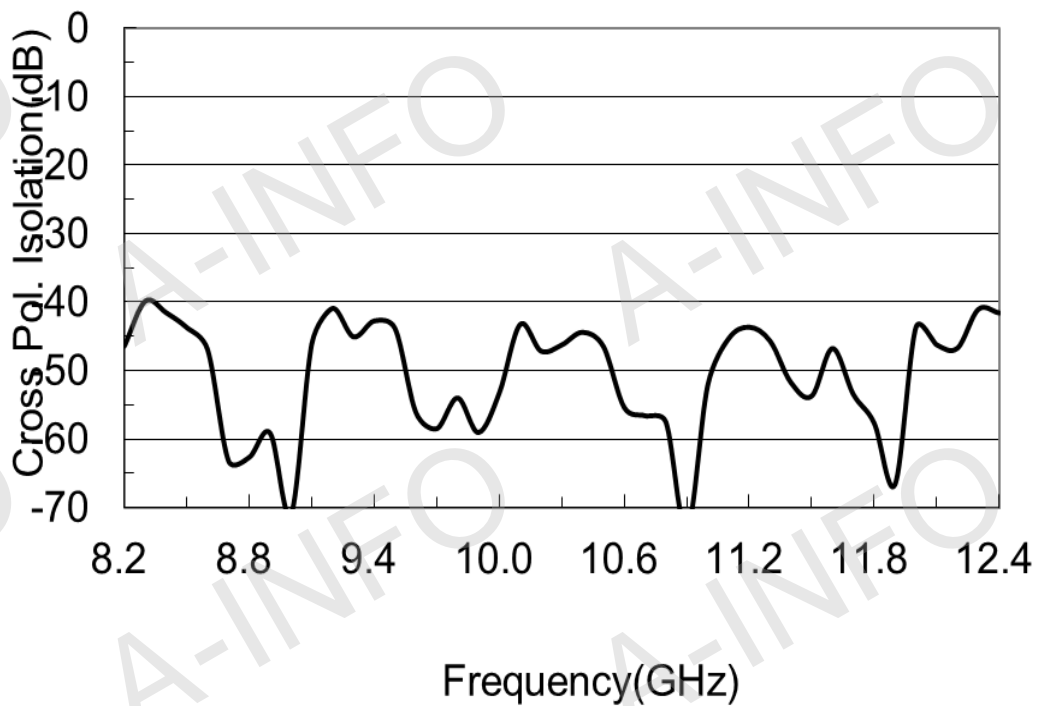
### 1. Gain and Antenna Factor



## 2. VSWR



## 3. Cross Polarization Isolation



## 4. Pattern

