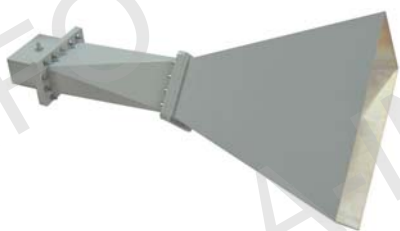


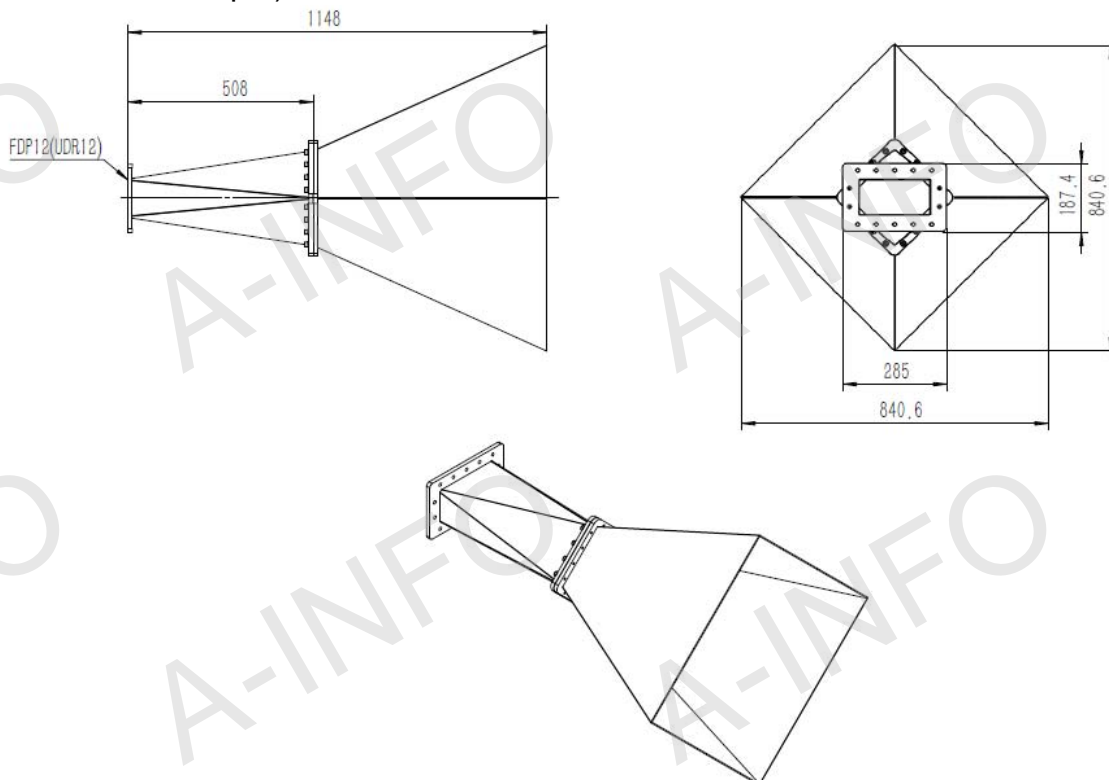
Technical Specification



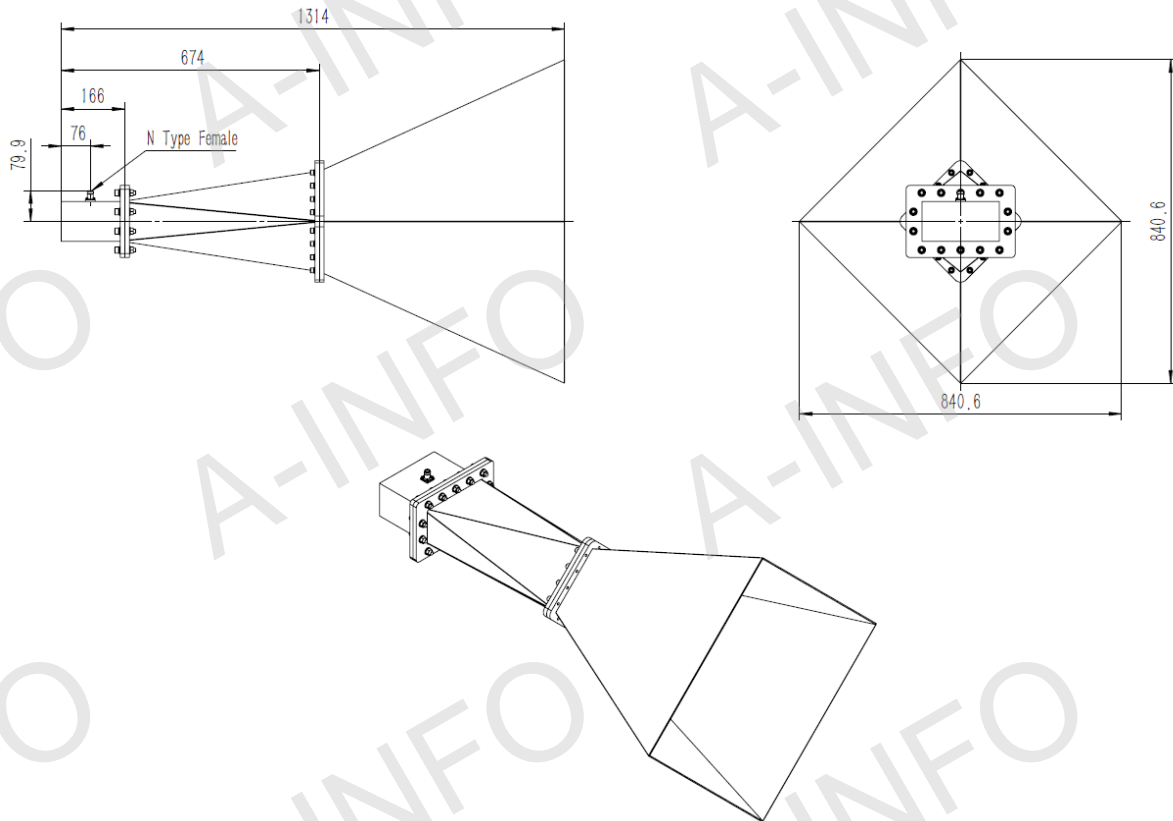
Frequency Range(GHz)	0.96-1.45	
Waveguide	WR770	
Gain(dBi)	15 Typ.	
Polarization	Linear	
3dB Beamwidth(deg)	E Plane:	29 Typ.
	H Plane:	27 Typ.
Sidelobe(dB)	E Plane:	-25 Max.
	H Plane:	-25 Max.
Cross Pol. Isolation(dB)	-35 Typ.	
VSWR	A Type:	1.2:1 Max.
	C Type:	1.5:1 Max.
Output	A Type:	FDP12(UDR12)
	C Type:	N-Female or SMA-Female
Material	Al	
Size(mm)	A Type:	840.6 x 840.6 x 1148
	C Type:	840.6 x 840.6 x 1314
Net Weight(Kg)	A Type:	14.7 Around
	C Type:	18.0 Around

Outline Drawing (Size: mm)

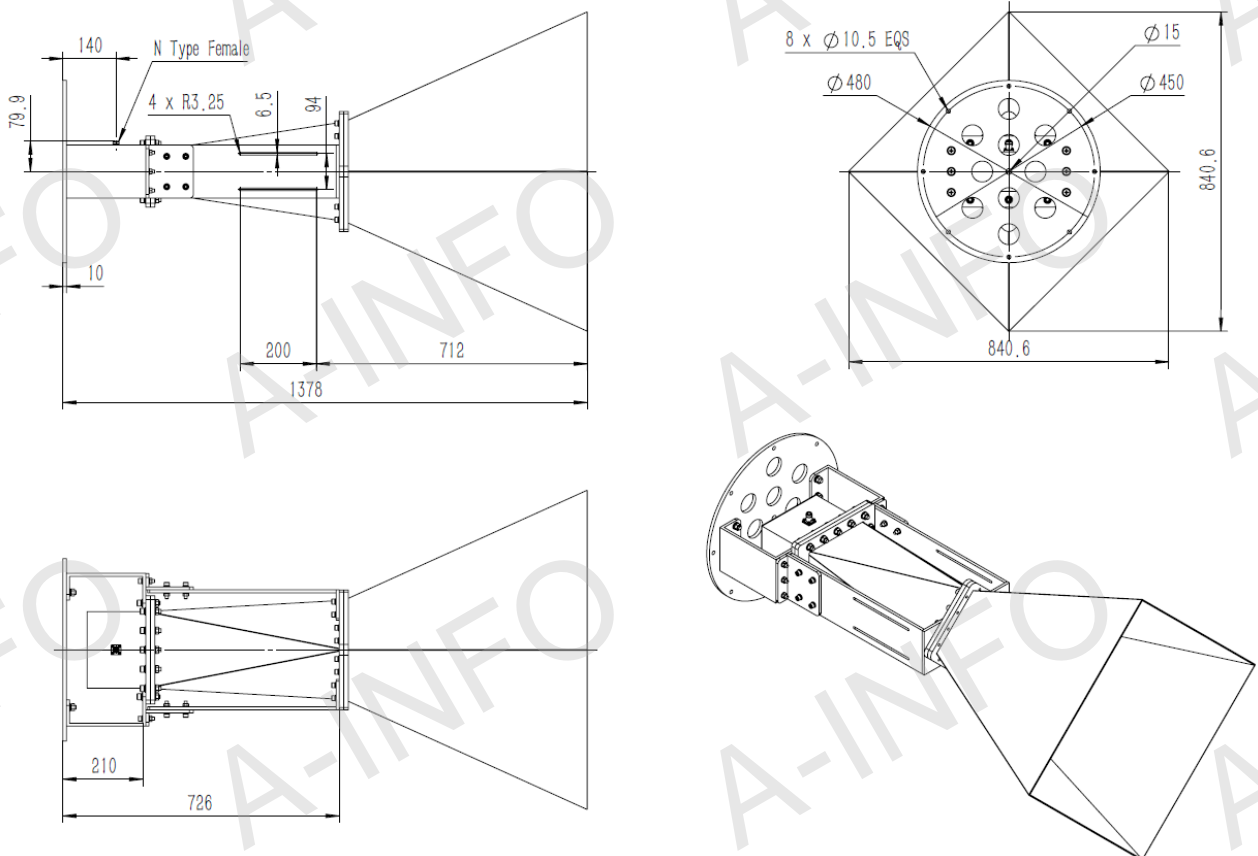
A Type(With FDP12 Output)



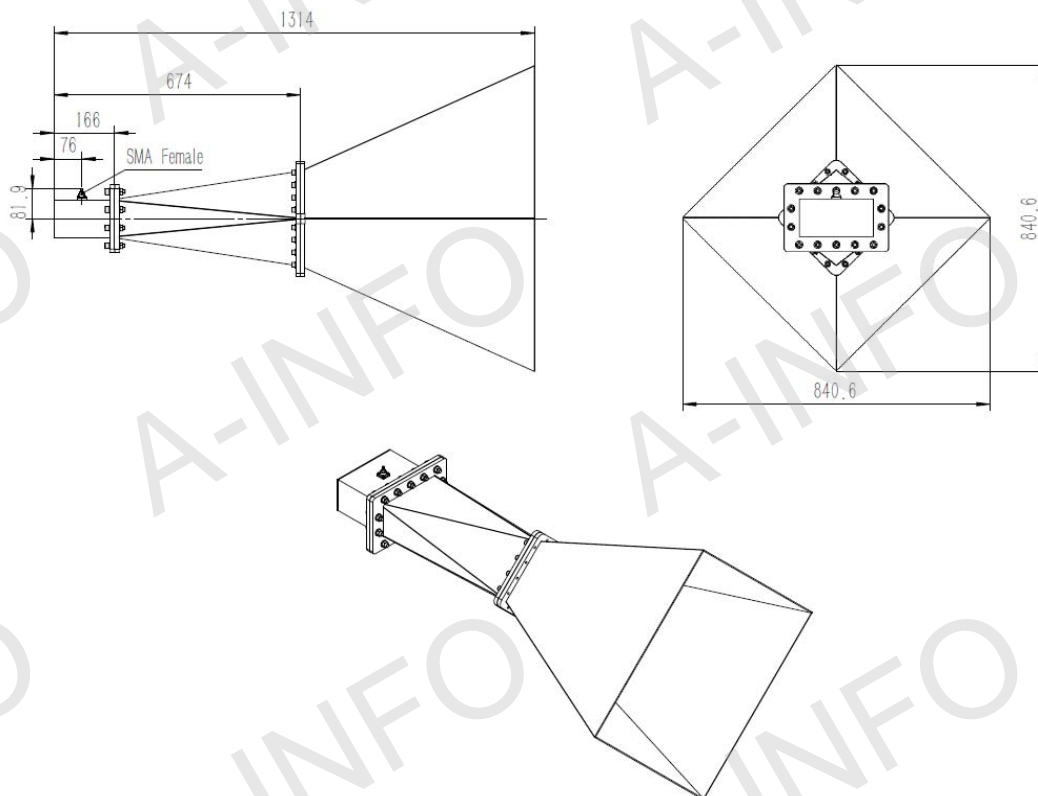
C Type (With N Type Female Output)



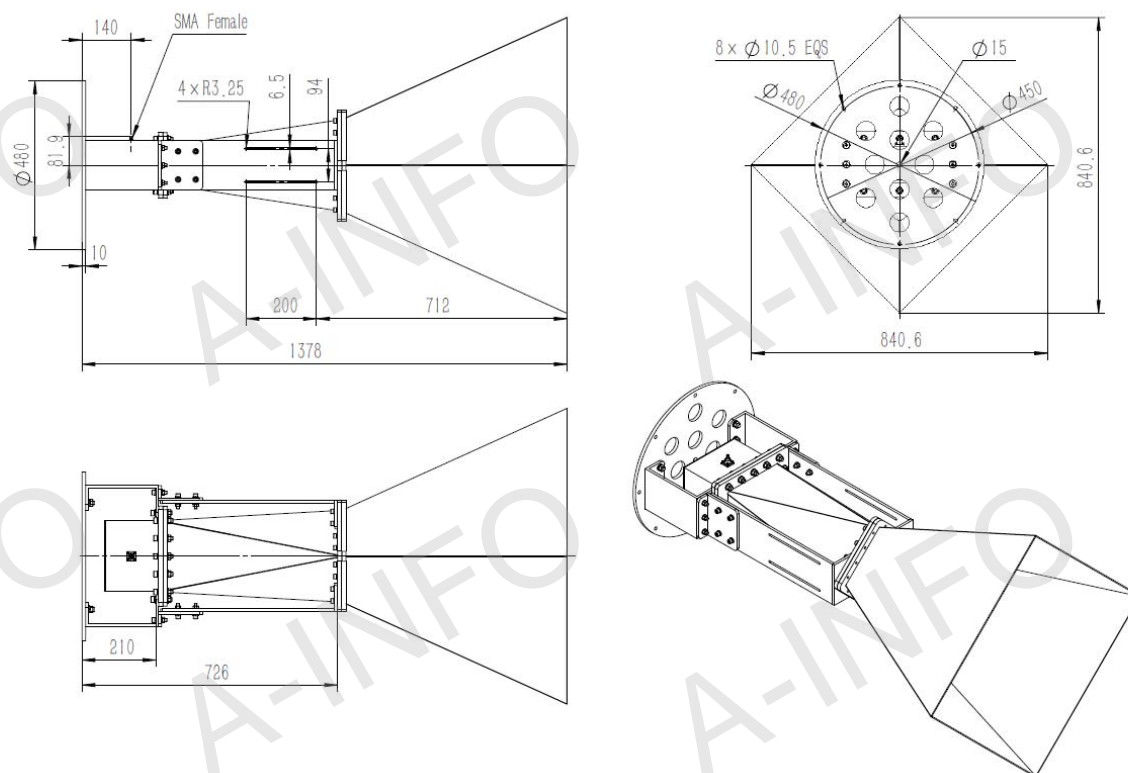
C Type (With N Type Female Output & Round Mounting Bracket)



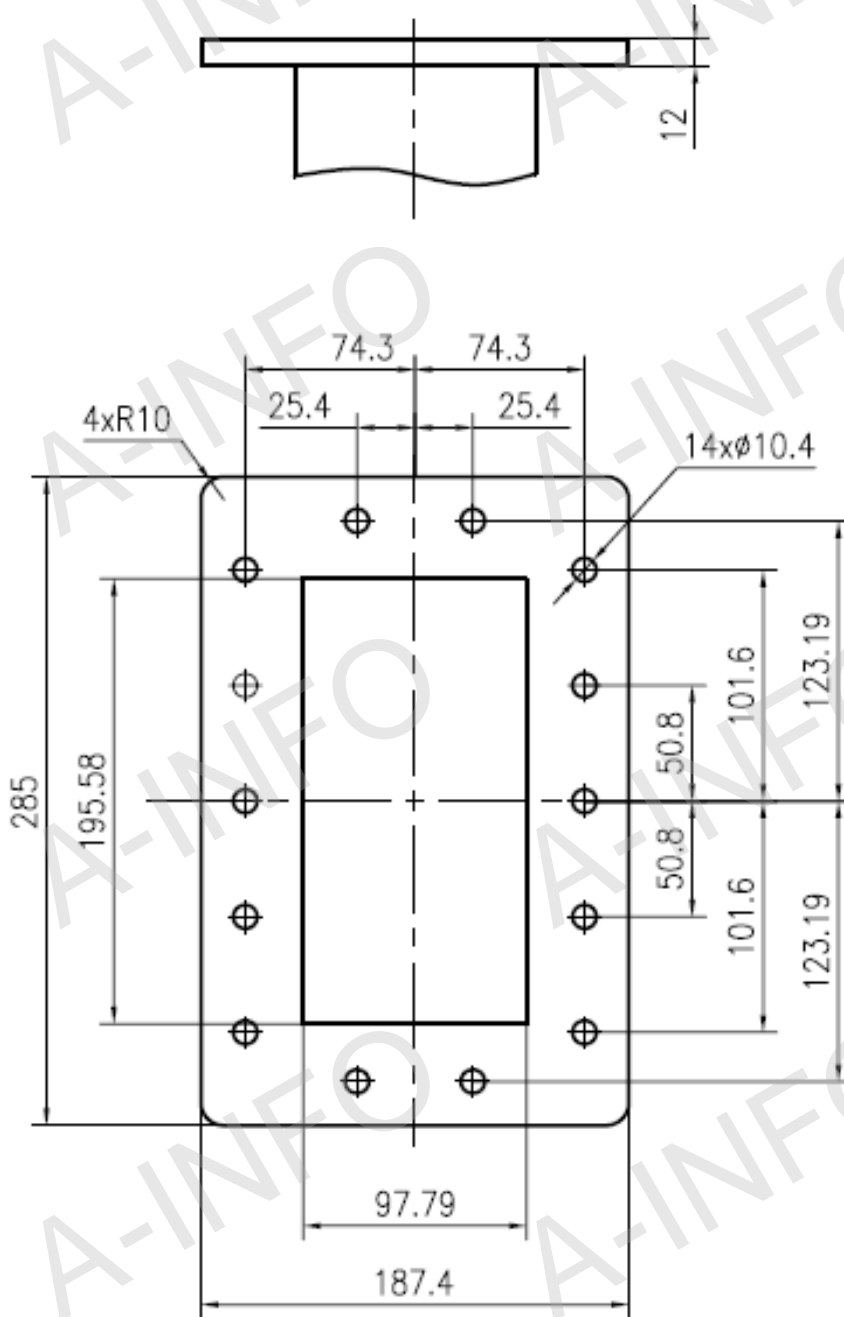
C Type (With SMA-Female Output)



C Type (With SMA-Female Output & Round Mounting Bracket)



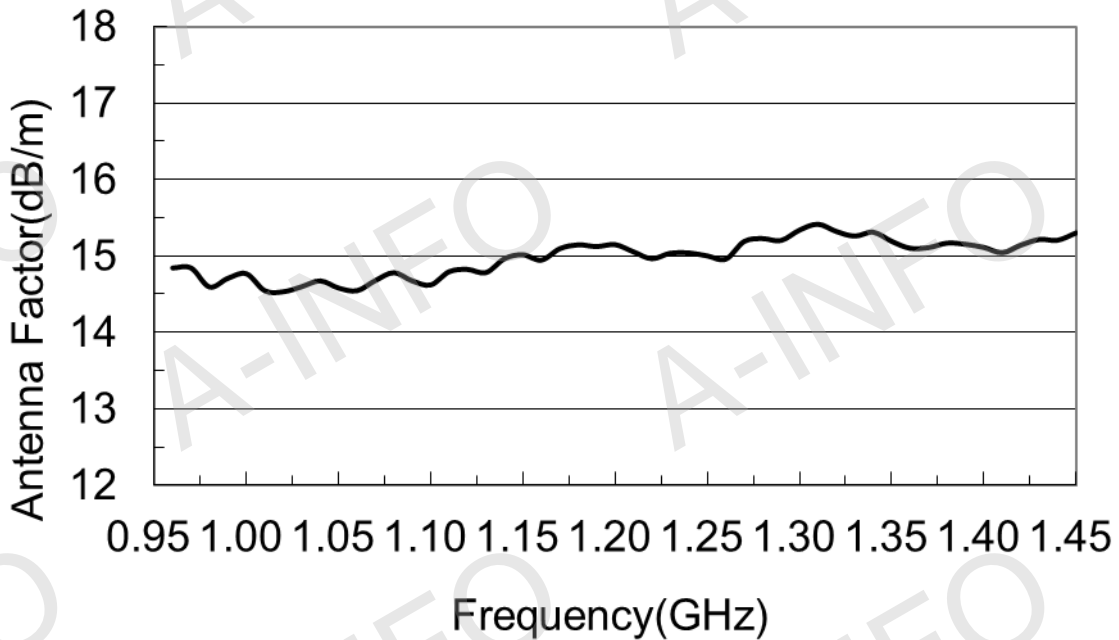
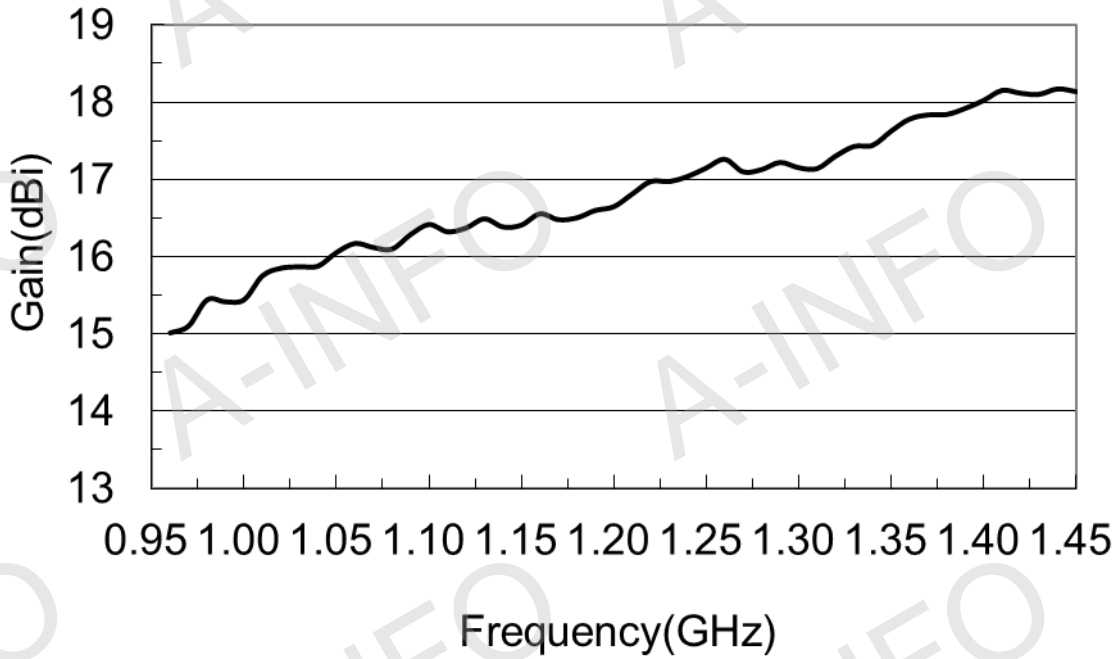
Flange Drawing (Size: mm)



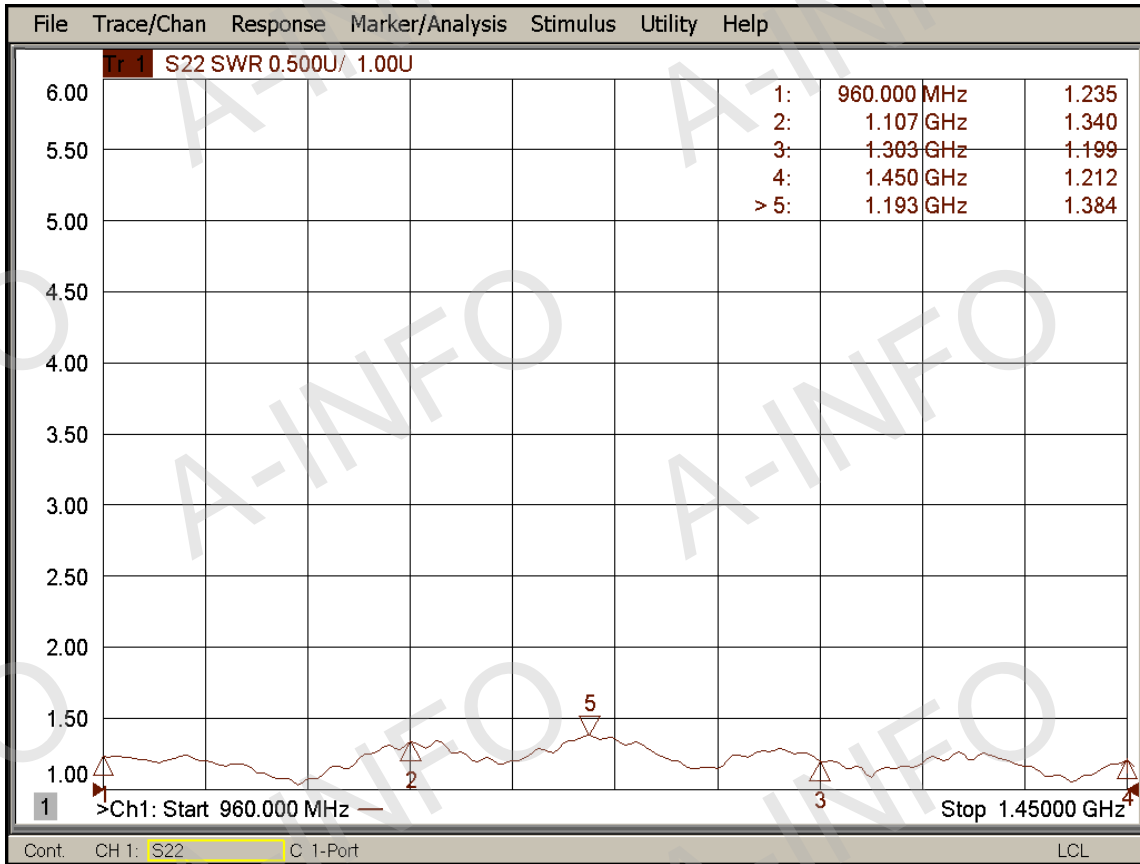
FDP12

Test Results

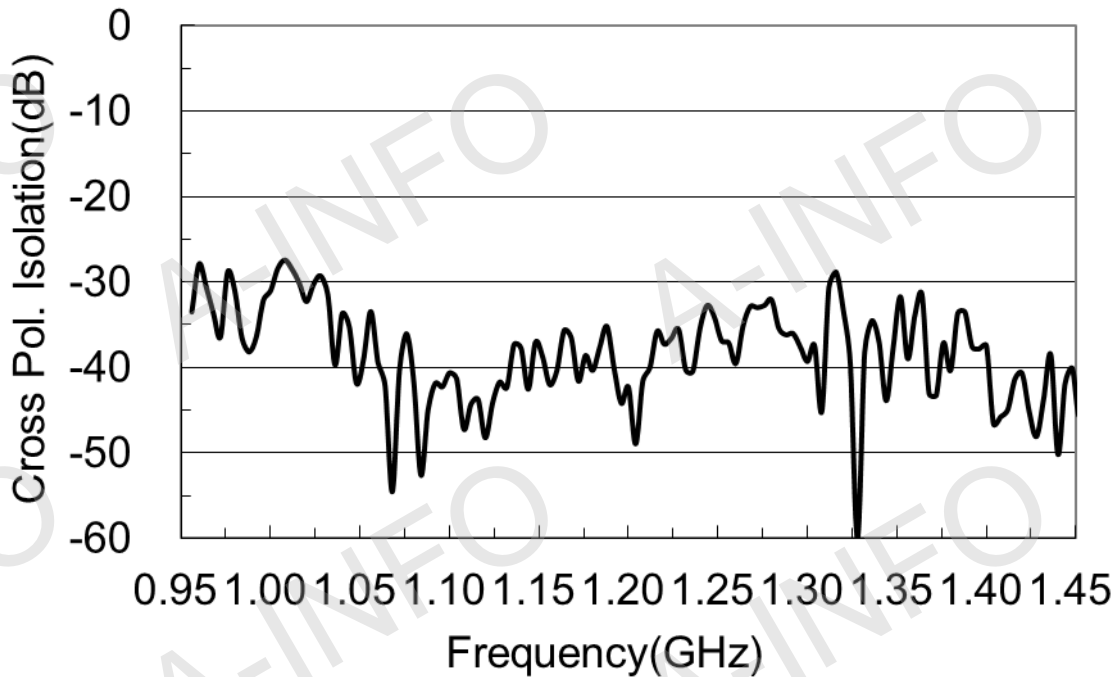
1. Gain and Antenna Factor



2. VSWR



3. Cross Polarization Isolation



4. Pattern

