

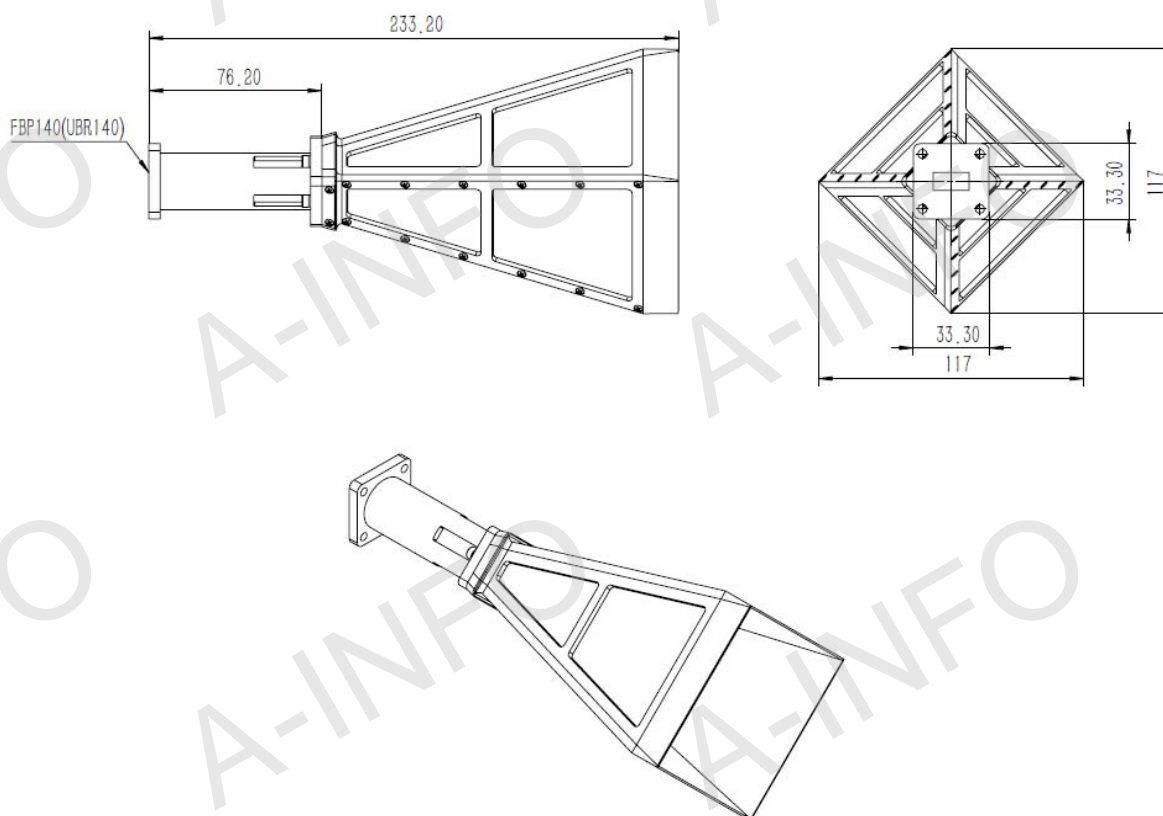
Technical Specification



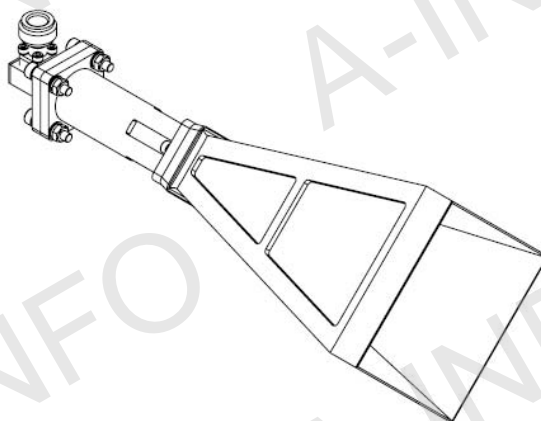
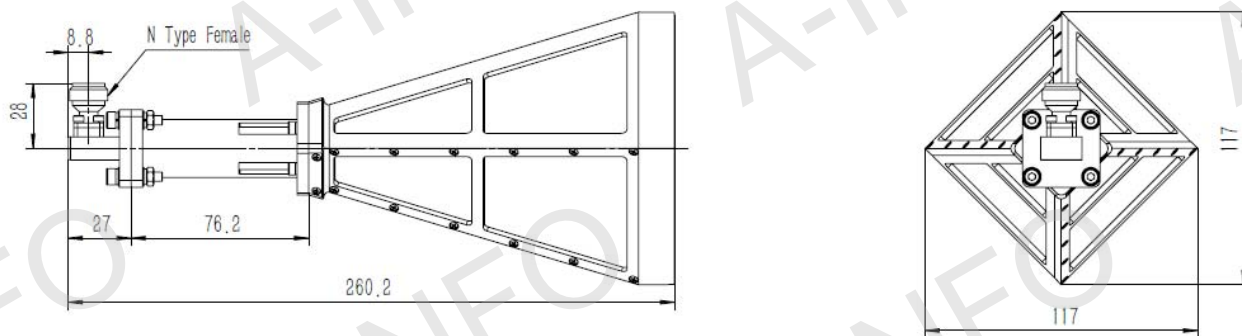
Frequency Range(GHz)	12.4 - 18.0
Gain(dB)	20 Typ.
Waveguide	WR 62
Sidelobe(dB)	E Plane: -30dB Max.
	H Plane: -35dB Max.
Cross Pol. Isolation(dB)	-40 Typ.
VSWR	A Type: 1.2 Max.
	C Type: 1.5 Max.
Output	A Type: FBP140(UBR140)
	C Type: N-Female or SMA-F
Material	Al
Size(mm)	A Type: 233.2x117x117
	C Type: 260.2x117x117
Net Weight(Kg)	A Type: 0.30 Around
	C Type: 0.34 Around

Outline Drawing (Size: mm)

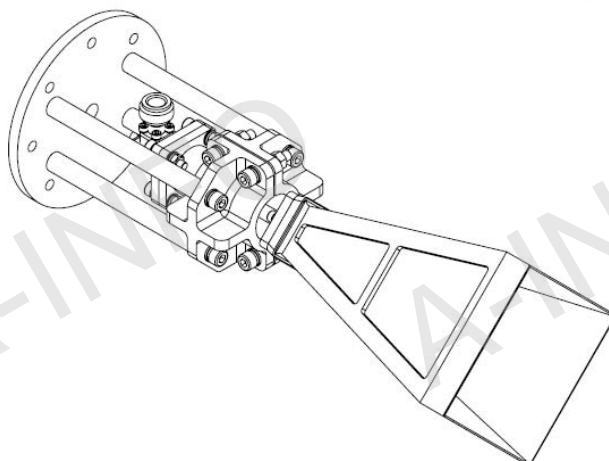
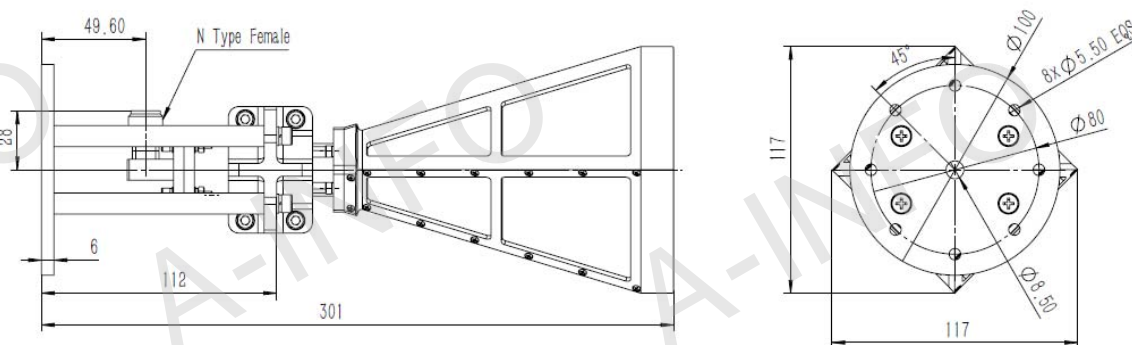
A Type(With FBP140 Output)



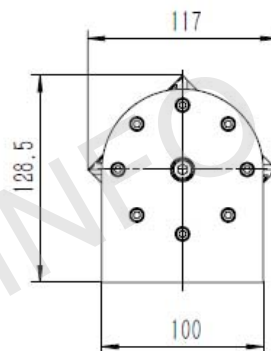
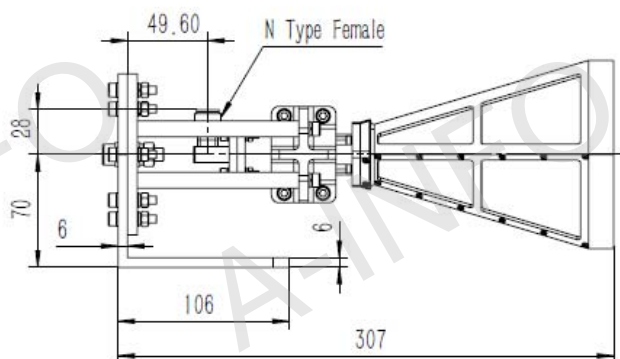
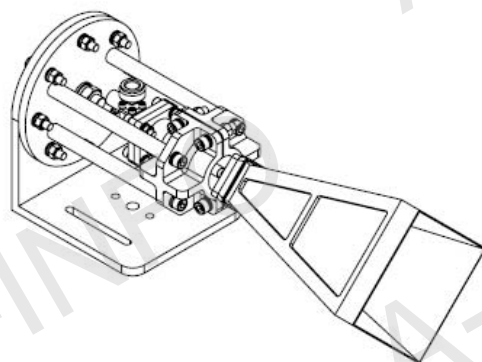
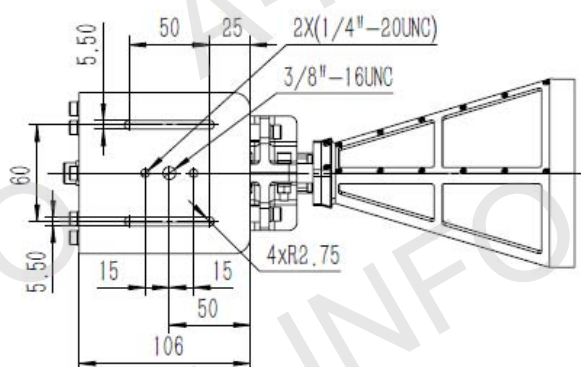
C Type (With N Type Female Output)



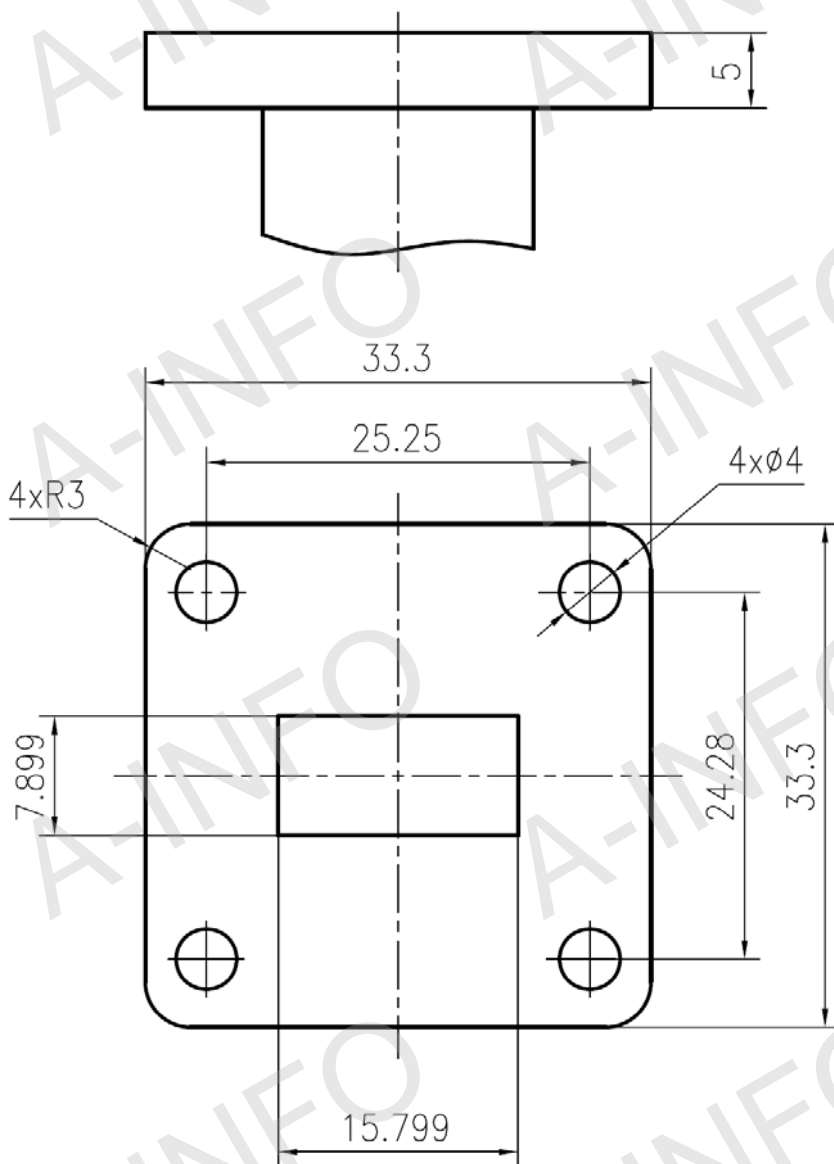
C Type (With N Type Female Output & Round Mounting Bracket)



C Type (With N Type Female Output & L Type Mounting Bracket)



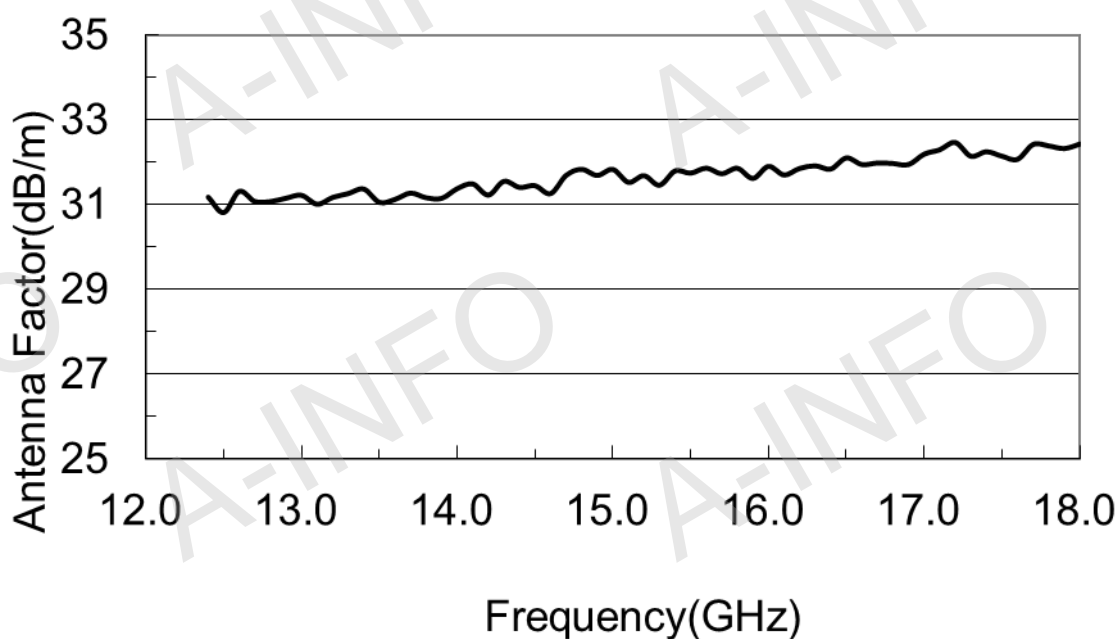
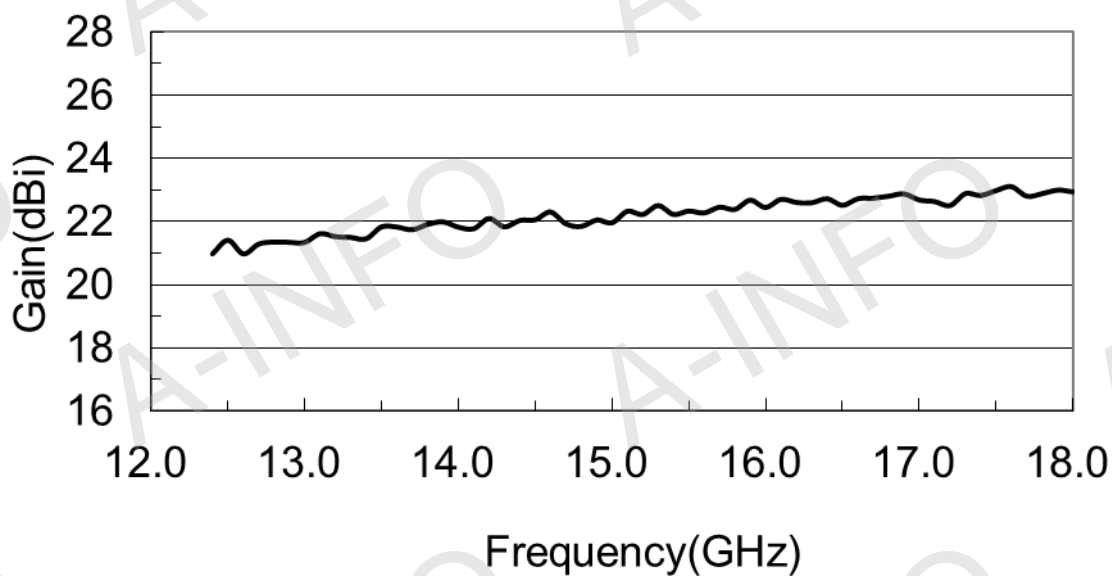
Flange Drawing (Size: mm)



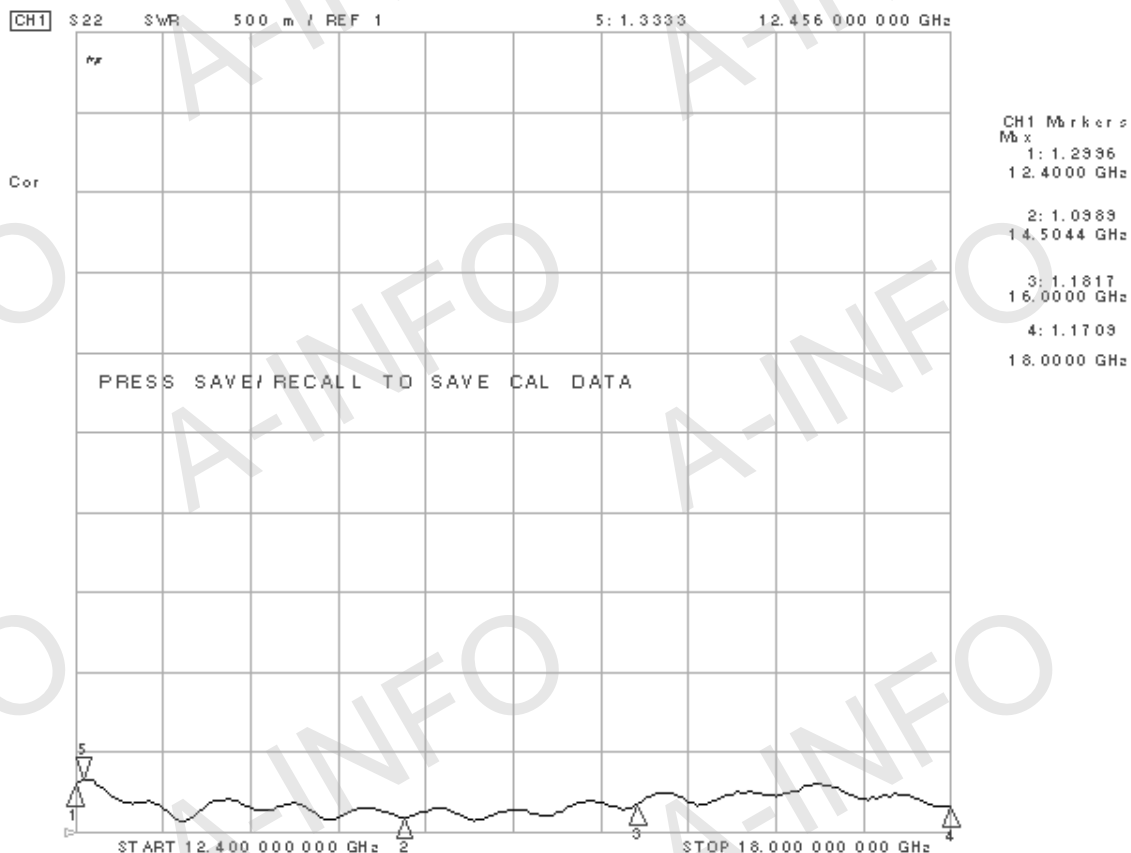
FBP140

Test Results

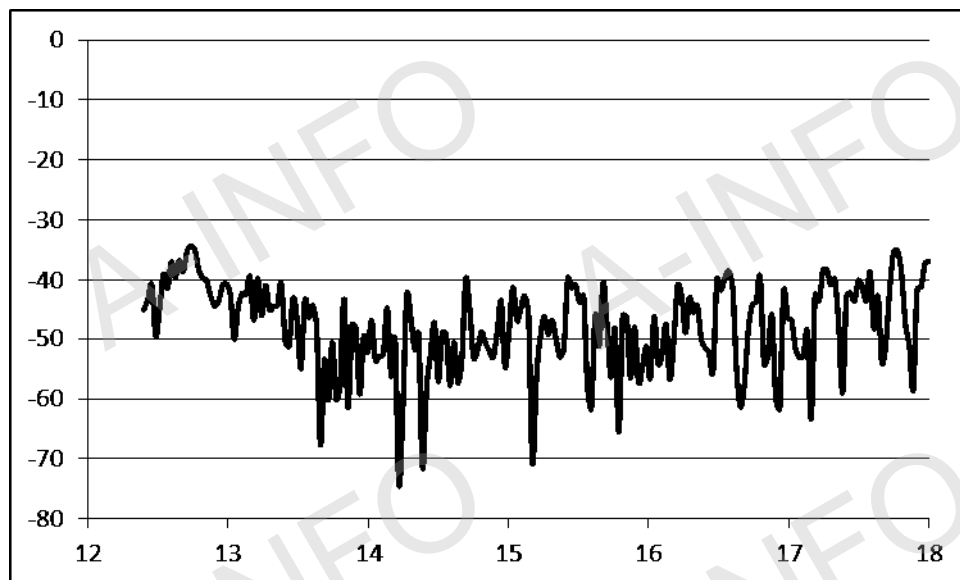
1. Gain and Antenna Factor



2. VSWR



3. Cross Polarization Isolation



4. Pattern

