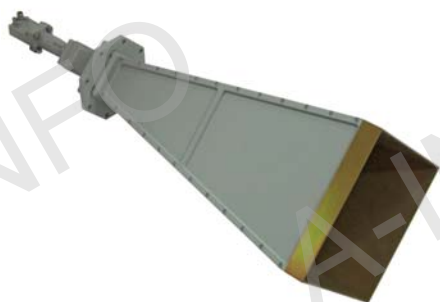


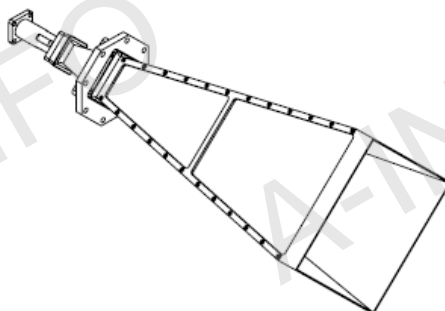
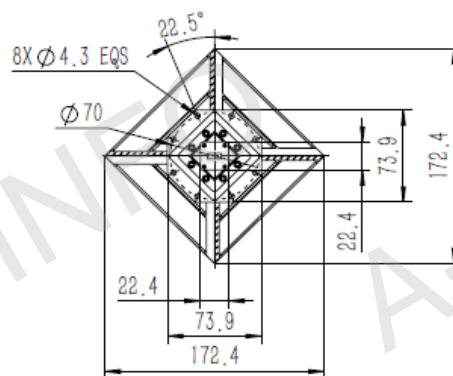
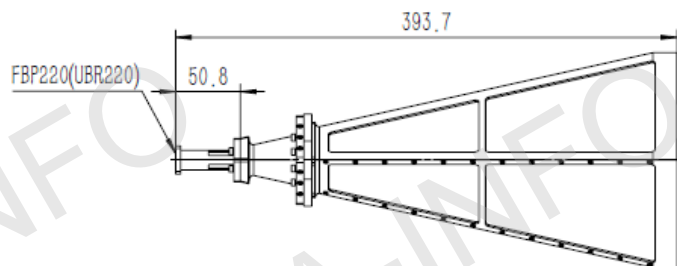
Technical Specification



Frequency Range(GHz)	18.0-26.5	
Waveguide	WR42	
Gain(dBi)	25 Typ.	
Polarization	Linear	
3dB Beamwidth(deg)	E Plane:	8 Typ.
	H Plane:	8 Typ.
Sidelobe(dB)	E Plane:	-30 Max.
	H Plane:	-35 Max.
Cross Pol. Isolation(dB)	-40 Typ.	
VSWR	A Type:	1.2:1 Max.
	C Type:	1.5:1 Max.
Output	A Type:	FBP220(UBR220)
	C Type:	SMA-Female or 2.92mm-Female
Material	Al	
Size(mm)	A Type:	172.4 x 172.4 x 393.7
	C Type:	172.4 x 172.4 x 428.7
Net Weight(Kg)	A Type:	0.80 Around
	C Type:	0.88 Around

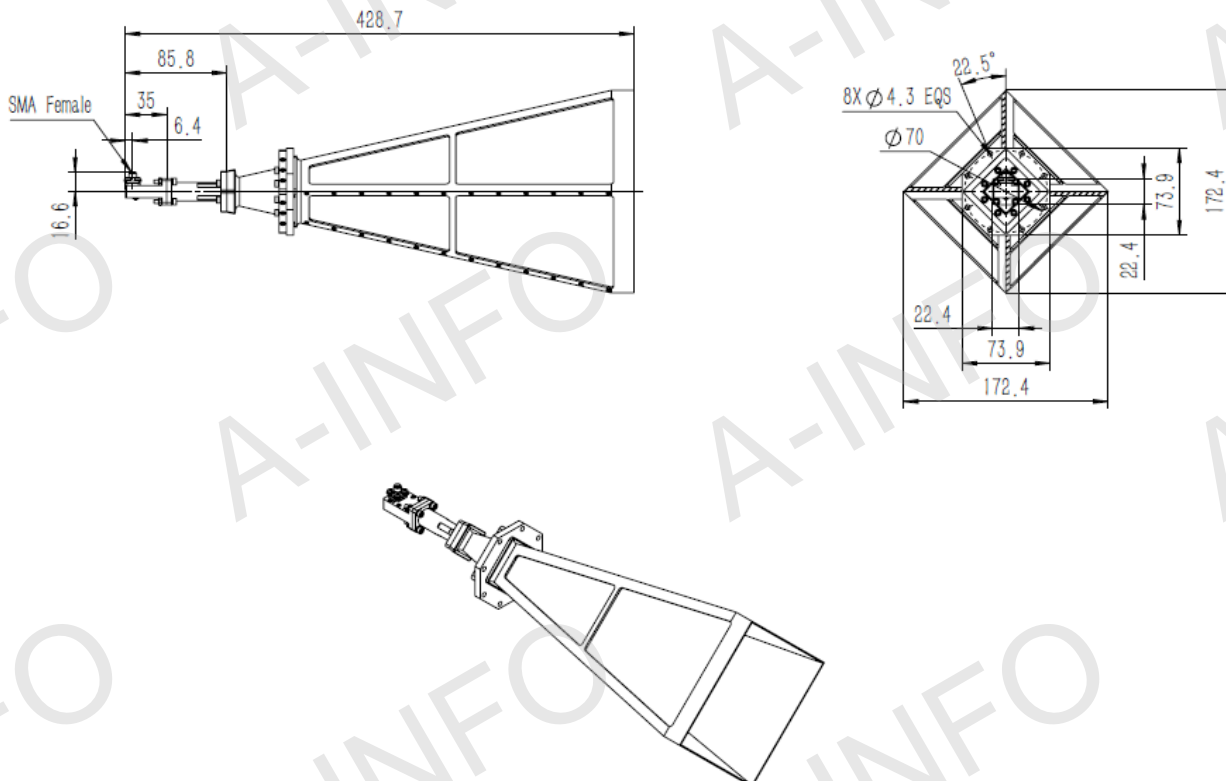
Outline Drawing (Size: mm)

A Type(With FBP220 Output)



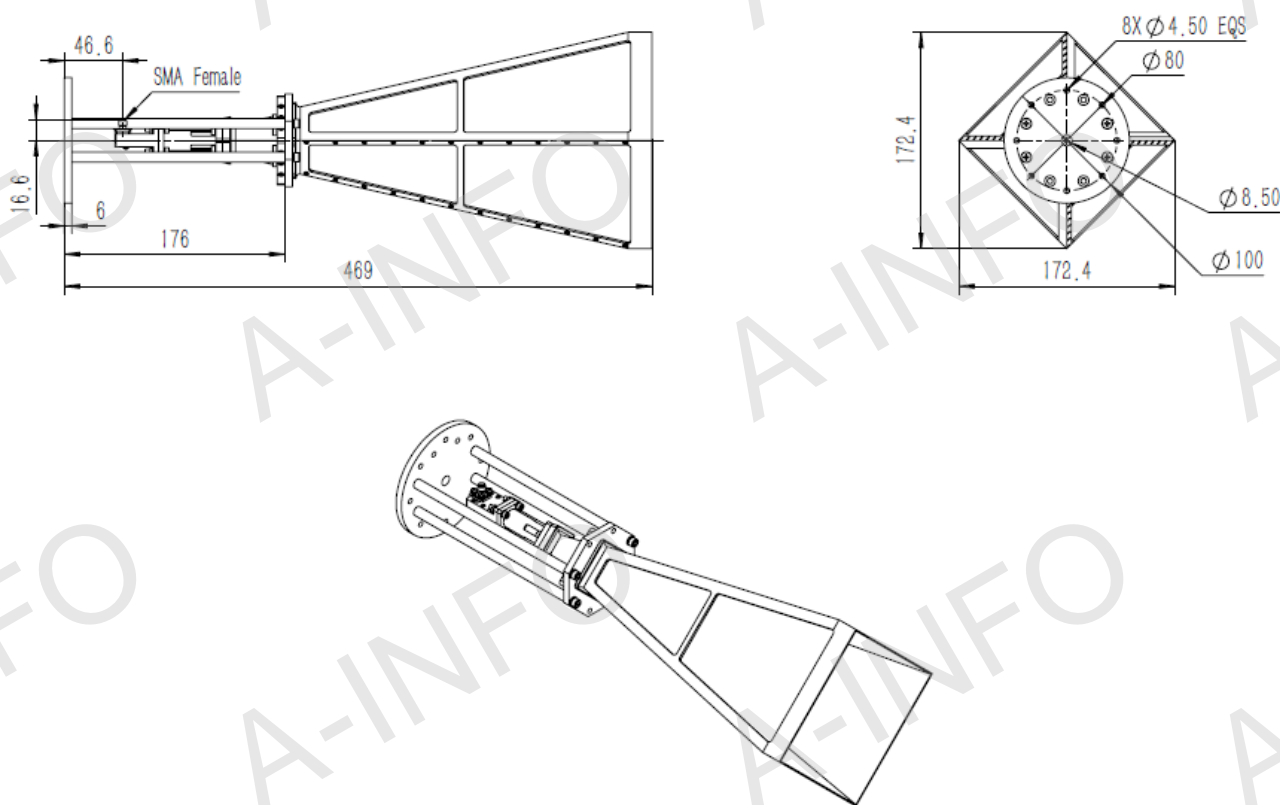
C Type (With SMA Female Output)

For 2.92mm-Female output outline drawing, please contact A-INFO.

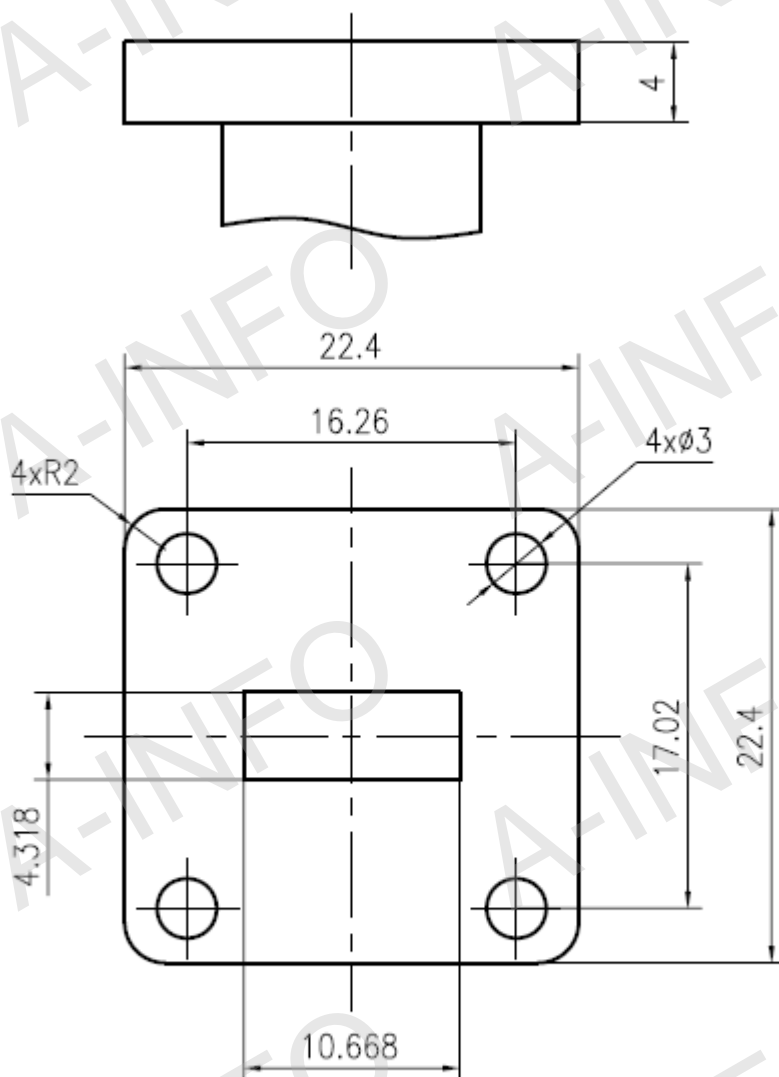


C Type (With SMA Female Output & Round Mounting Bracket)

For 2.92mm-Female output outline drawing, please contact A-INFO.



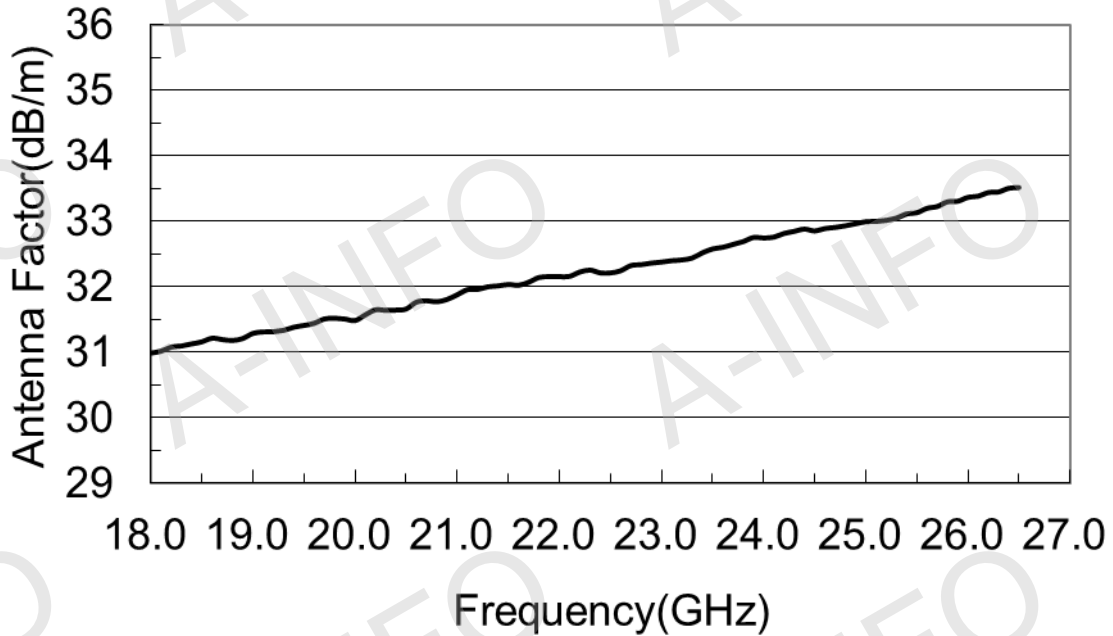
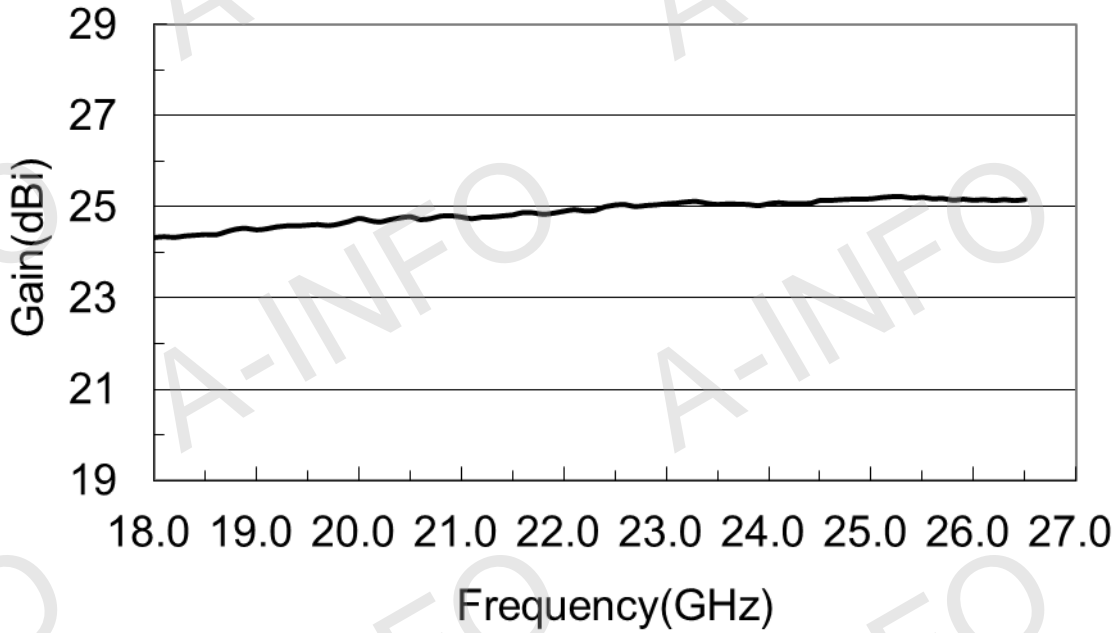
Flange Drawing (Size: mm)



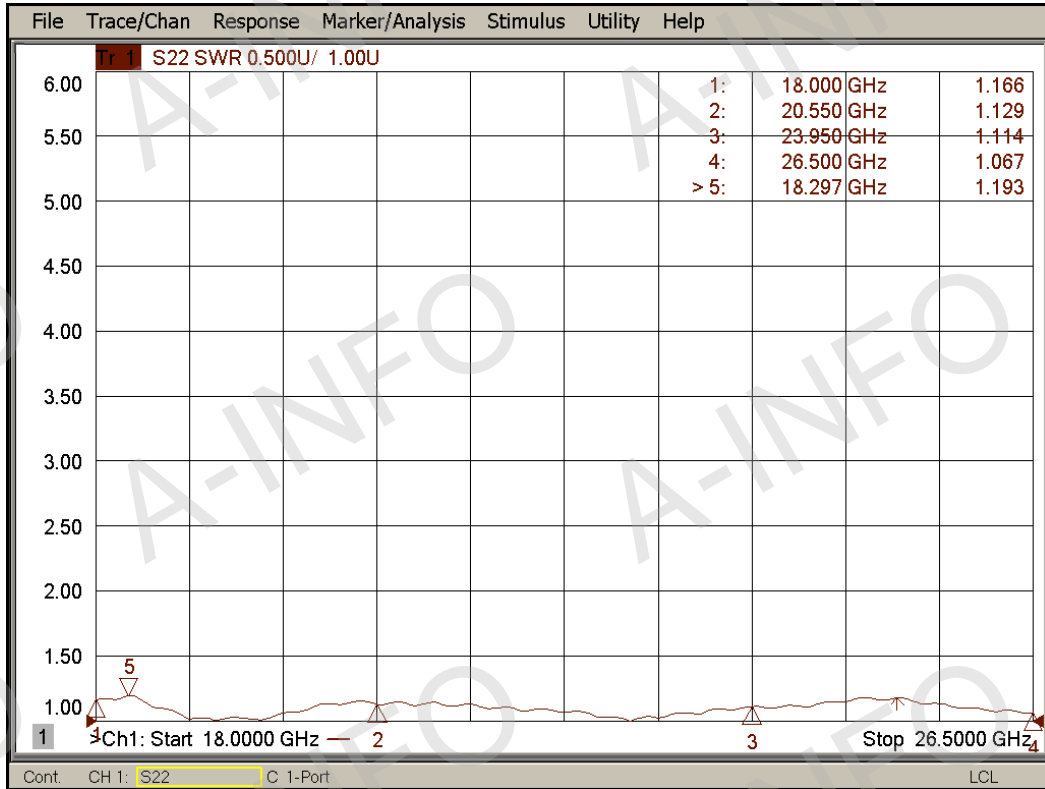
FBP220

Test Results

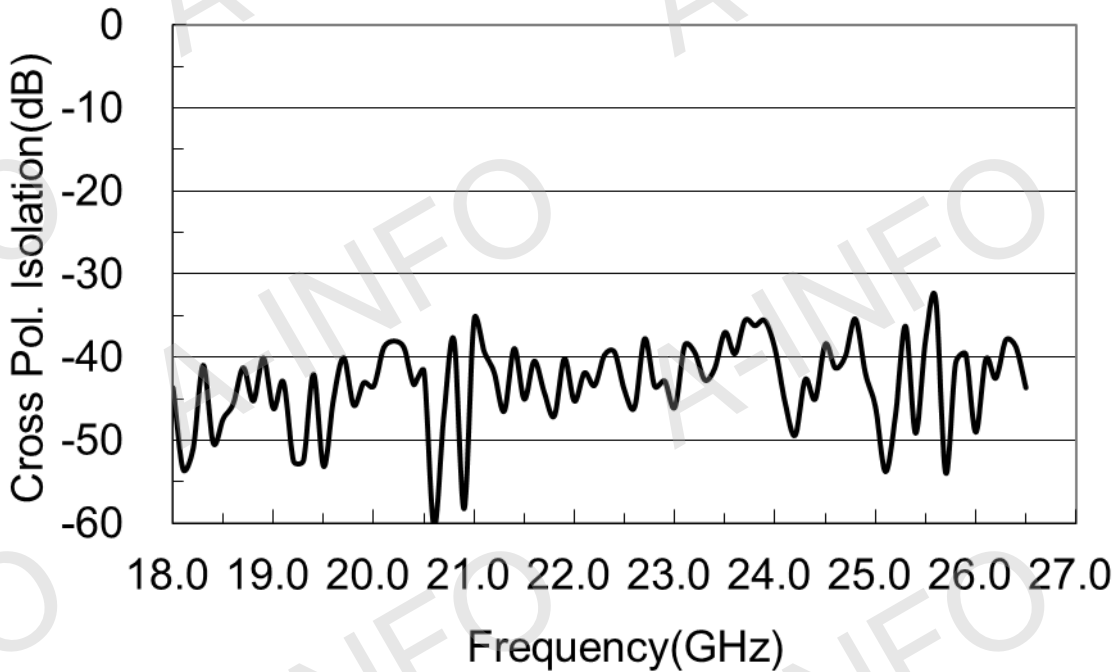
1. Gain and Antenna Factor



2. VSWR



3. Cross Polarization Isolation



4. Pattern

