

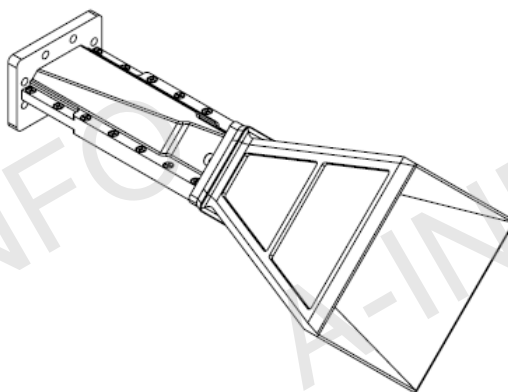
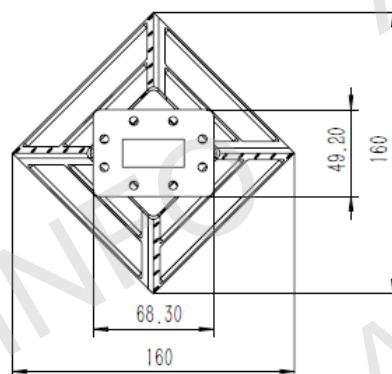
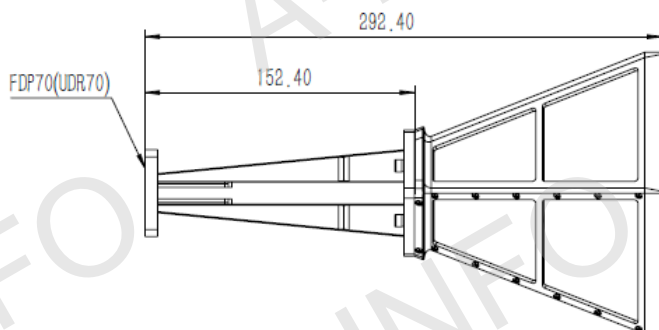
Technical Specification



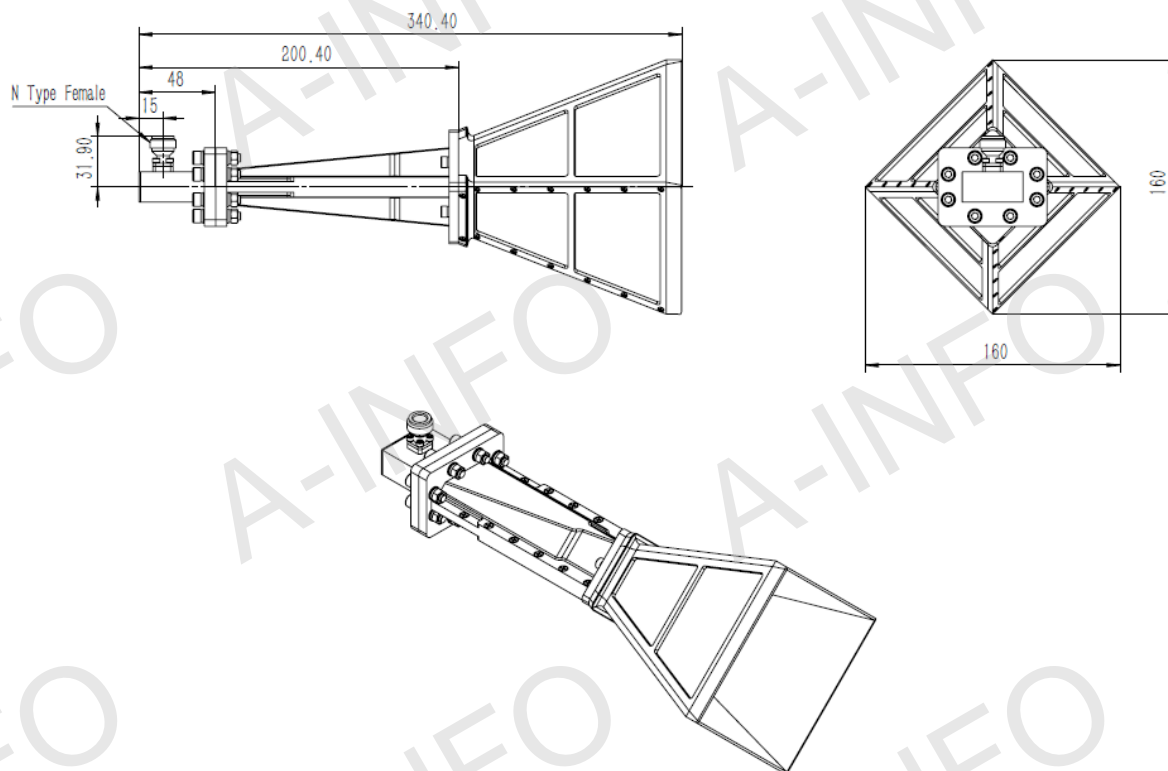
Frequency Range(GHz)	5.85 - 8.20
Gain(dB)	15 Typ.
Waveguide	WR137
Sidelobe(dB)	E Plane: -25dB Max.
	H Plane: -30dB Max.
Cross Pol. Isolation(dB)	-40 Typ.
VSWR	A Type: 1.25 Max.
	C Type: 1.5 Max.
Output	A Type: FDP70(UDR70)
	C Type: N-Female or SMA-F
Material	Al
Size(mm)	A Type: 292.4x160x160
	C Type: 340.4x160x160
Net Weight(Kg)	A Type: 0.58 Around
	C Type: 0.72 Around

Outline Drawing (Size: mm)

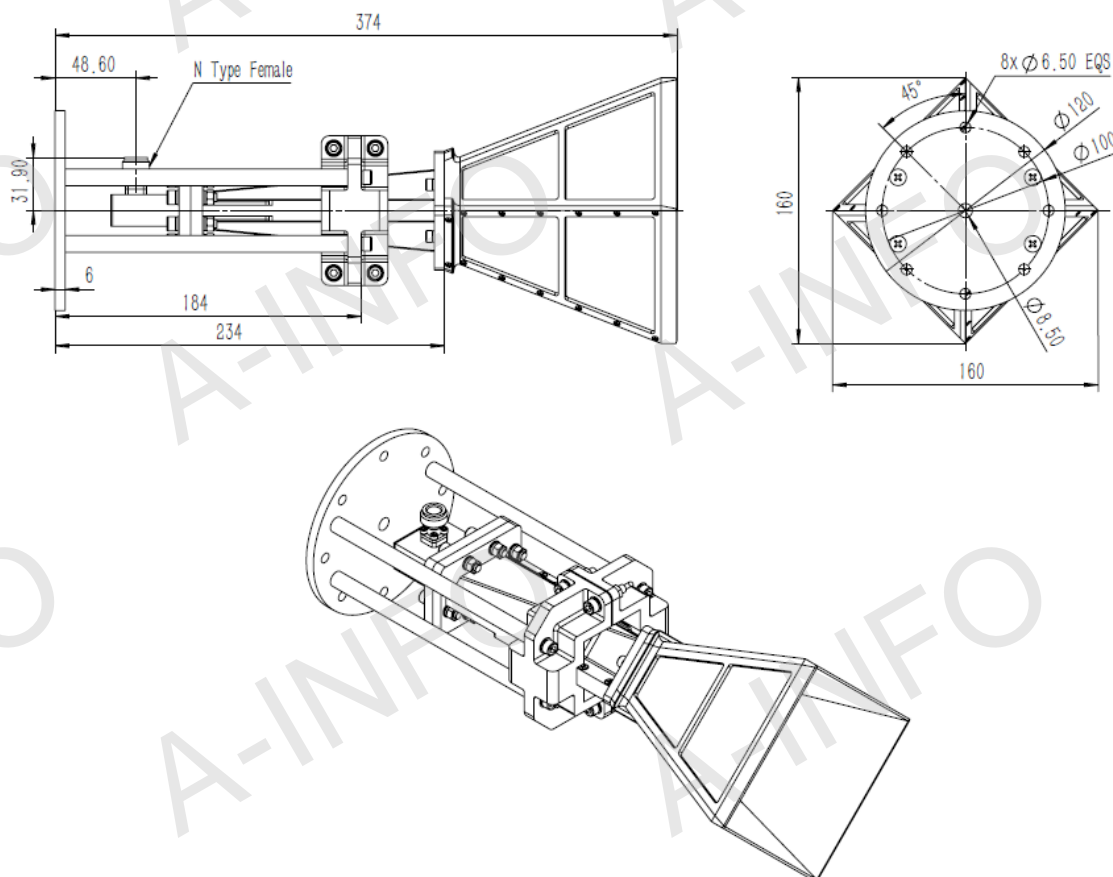
A Type(With FDP70 Output)



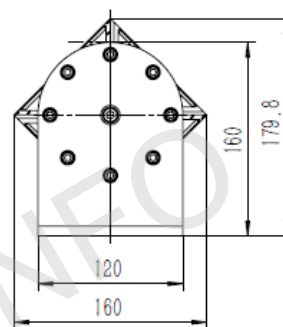
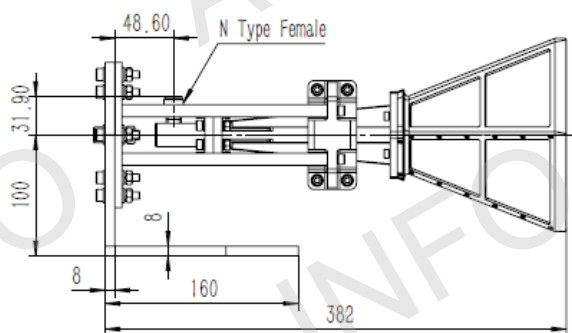
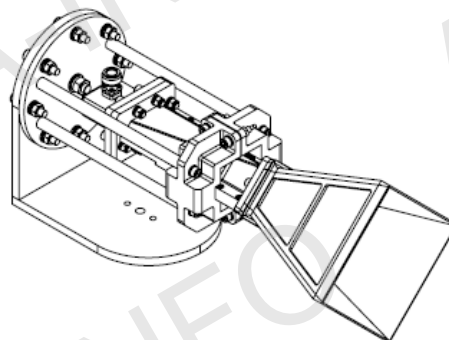
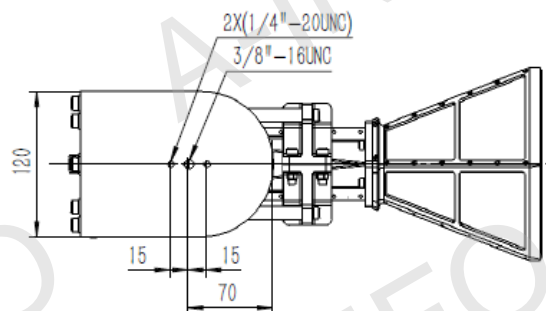
C Type (With N Type Female Output)



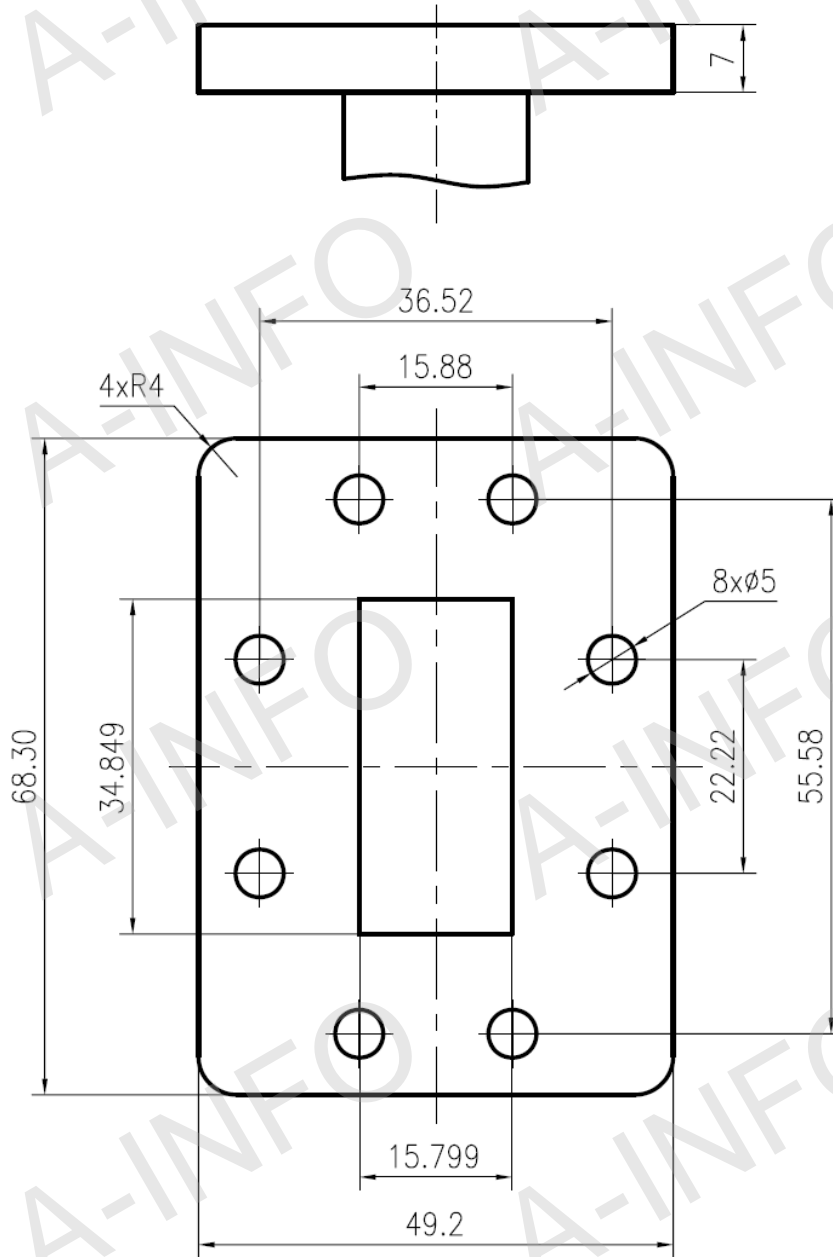
C Type (With N Type Female Output & Round Mounting Bracket)



C Type (With N Type Female Output & L Type Mounting Bracket)



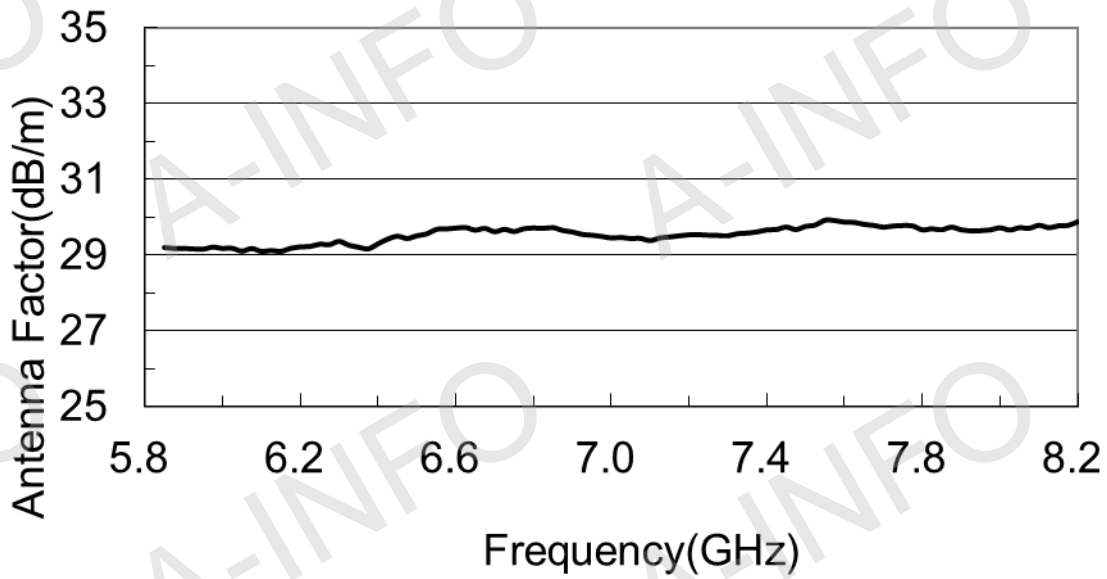
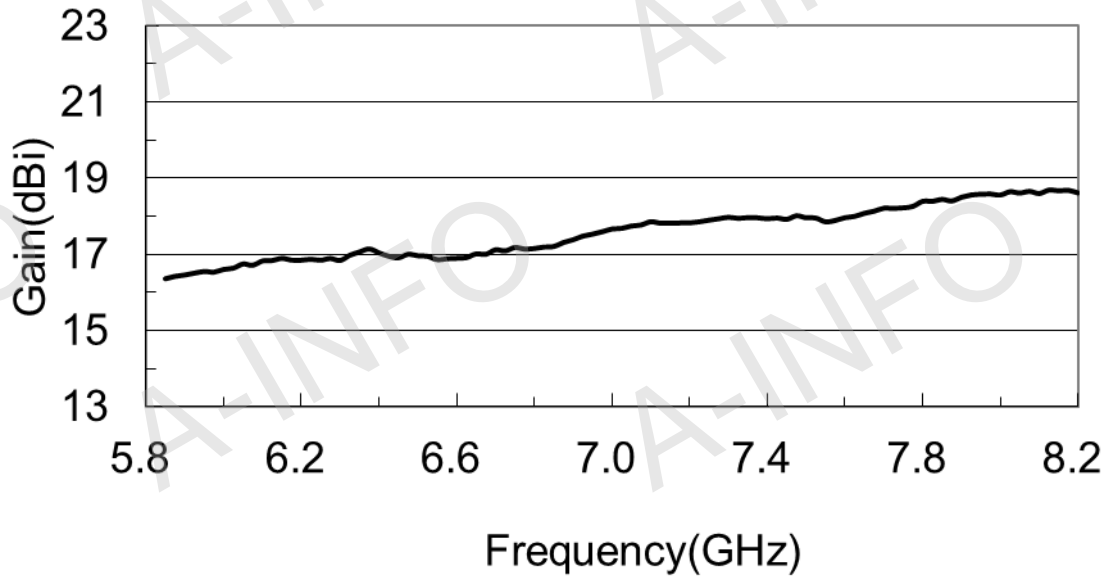
Flange Drawing (Size: mm)



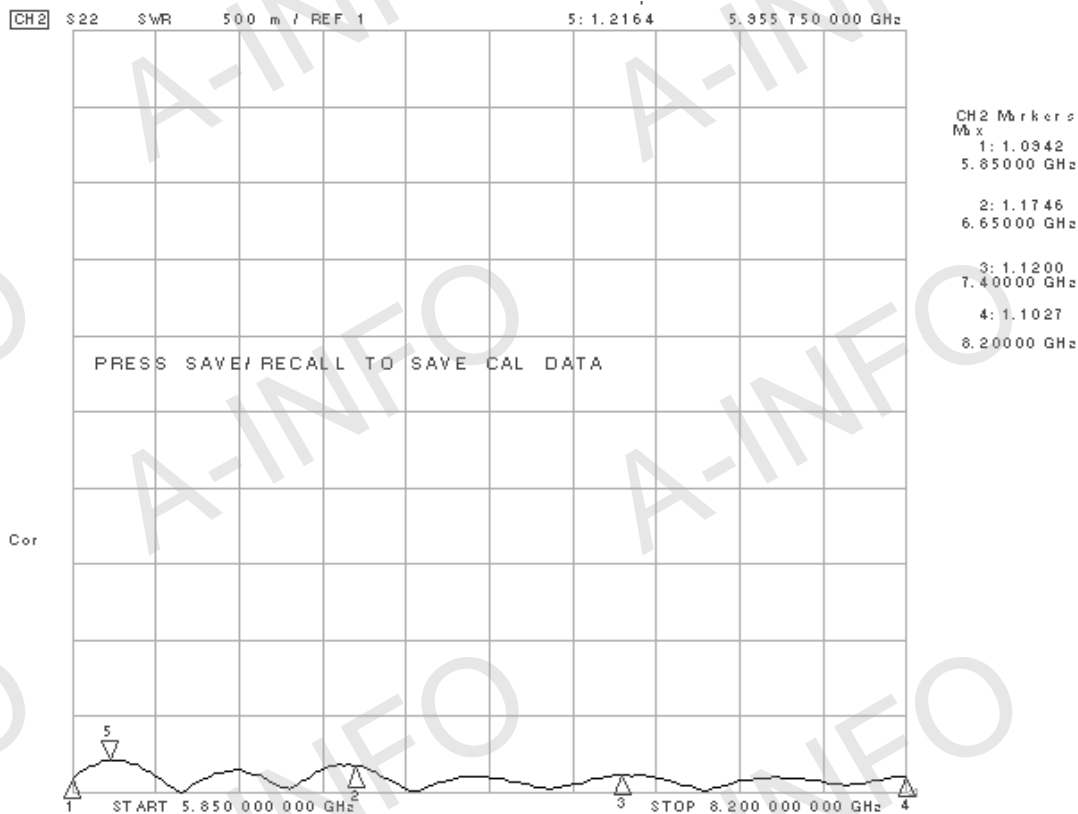
FDP70

Test Results

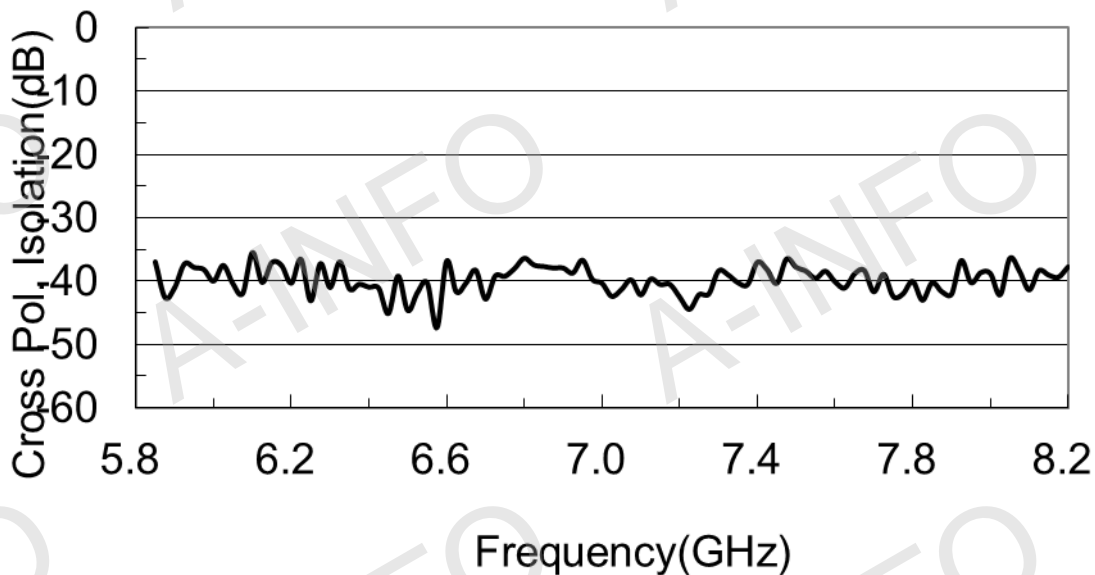
1. Gain and Antenna Factor



2. VSWR



3. Cross Polarization Isolation



4. Pattern

