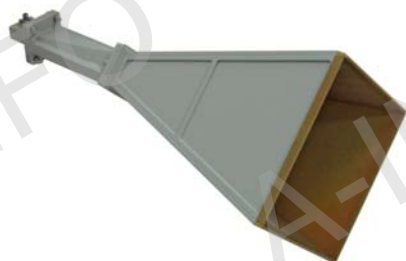


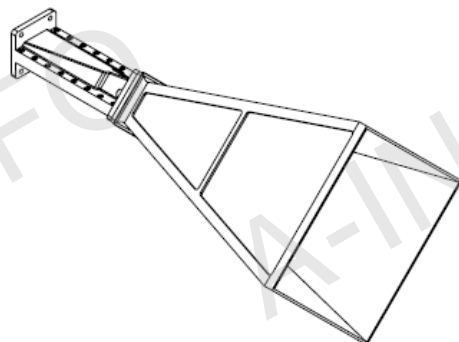
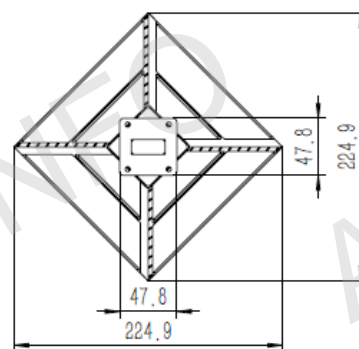
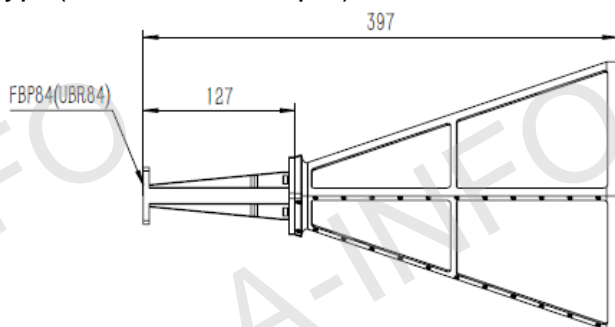
## Technical Specification



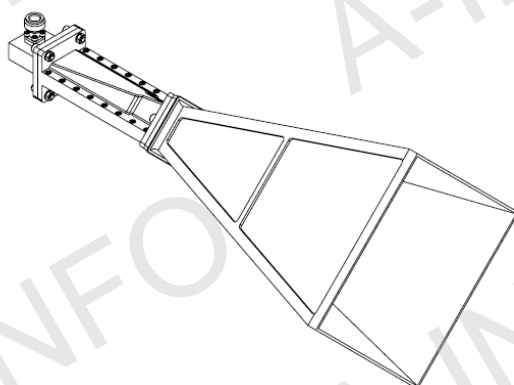
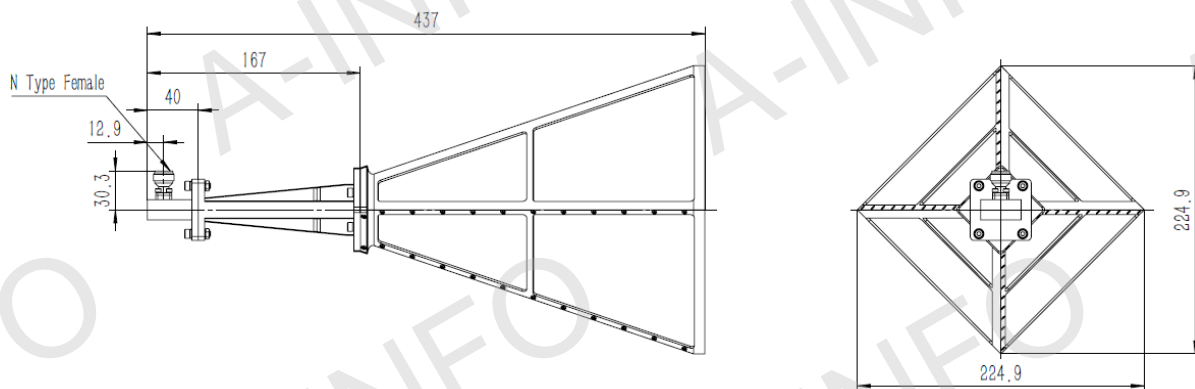
Frequency Range(GHz)	7.05-10.0
Waveguide	WR112
Gain(dBi)	20 Typ.
Polarization	Linear
3dB Beamwidth(deg)	E Plane: 15 Typ.
	H Plane: 15 Typ.
Sidelobe(dB)	E Plane: -35 Max.
	H Plane: -35 Max.
Cross Pol. Isolation(dB)	-35 Typ.
VSWR	A Type: 1.2:1 Max.
	C Type: 1.5:1 Max.
Output	A Type: FBP84(UBR84)
	C Type: N-Female or SMA-Female
Material	Al
Size(mm)	A Type: 224.9 x 224.9 x 397
	C Type: 224.9 x 224.9 x 437
Net Weight(Kg)	A Type: 0.88 Around
	C Type: 0.95 Around

## Outline Drawing (Size: mm)

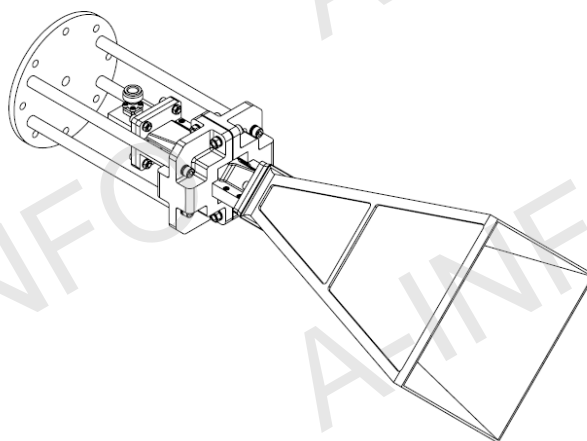
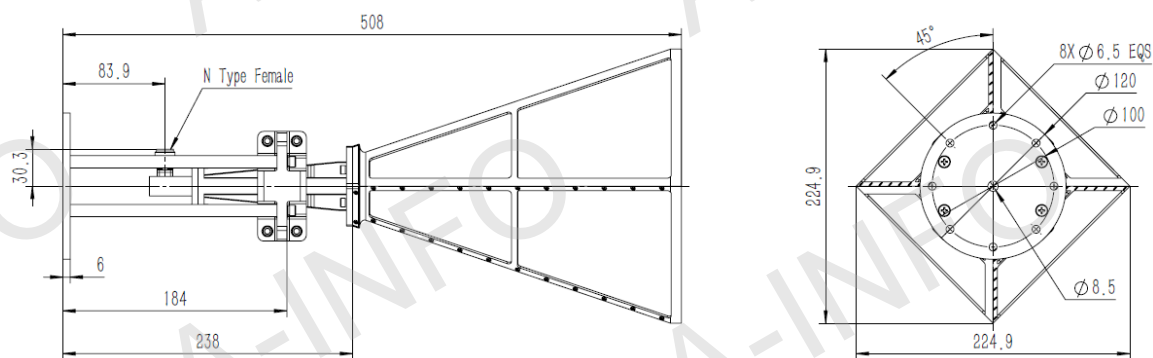
A Type(With FBP84 Output)



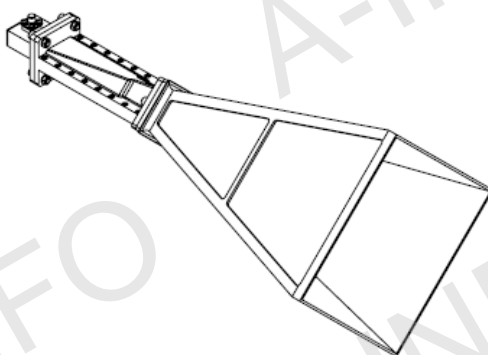
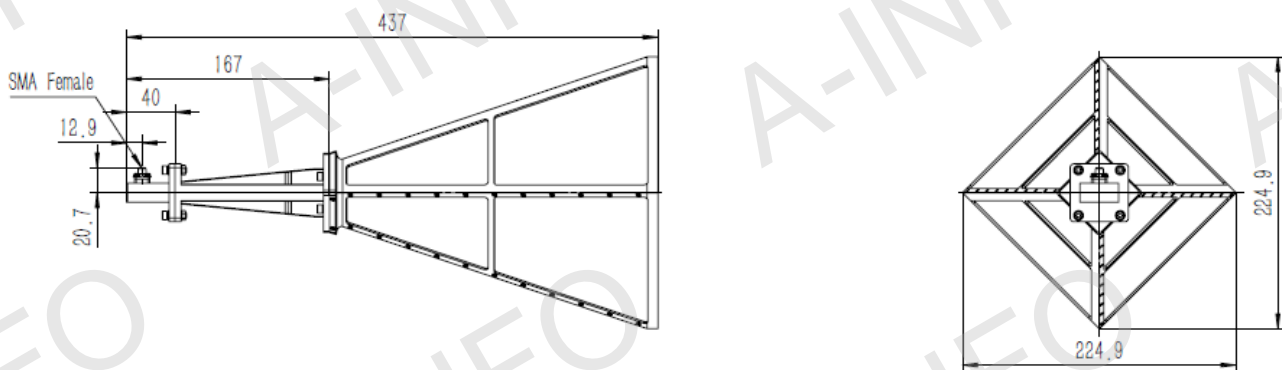
## C Type (With N Type Female Output)



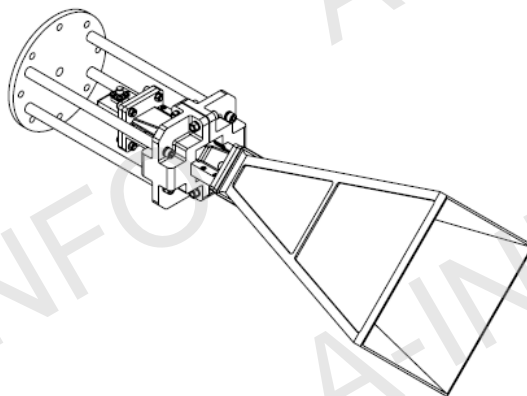
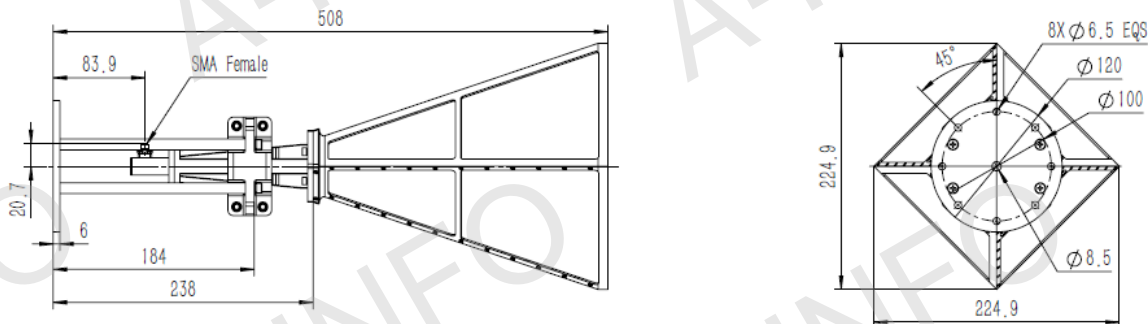
## C Type (With N Type Female Output & Round Mounting Bracket)



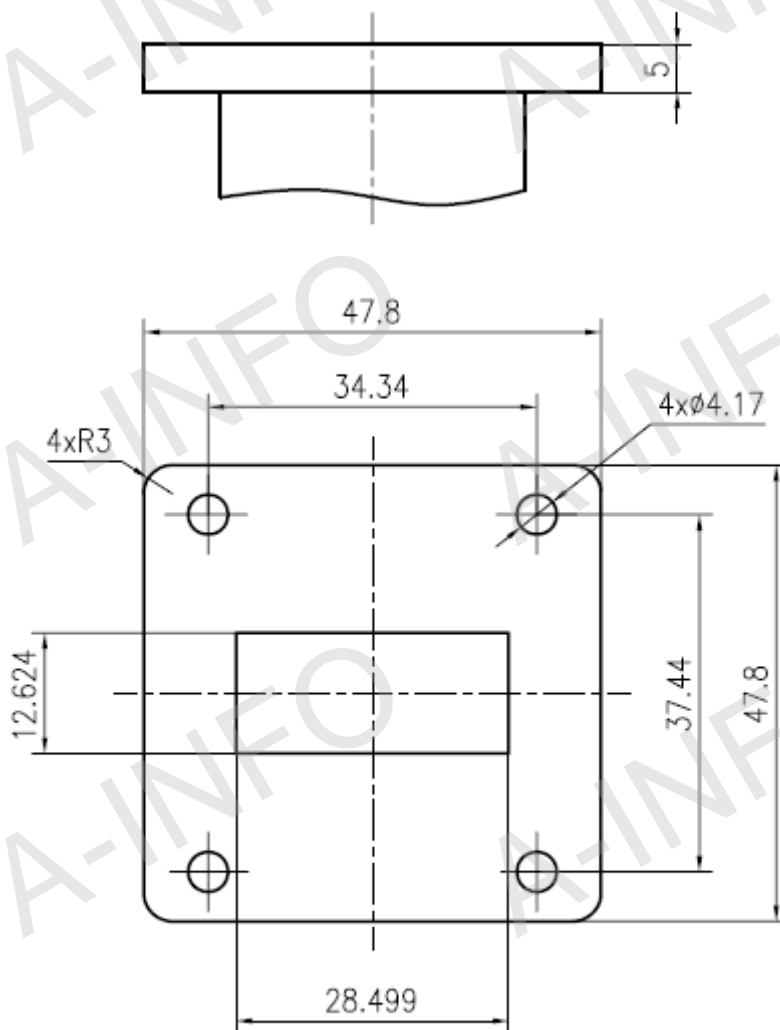
## C Type (With SMA Female Output)



## C Type (With SMA Female Output & Round Mounting Bracket)



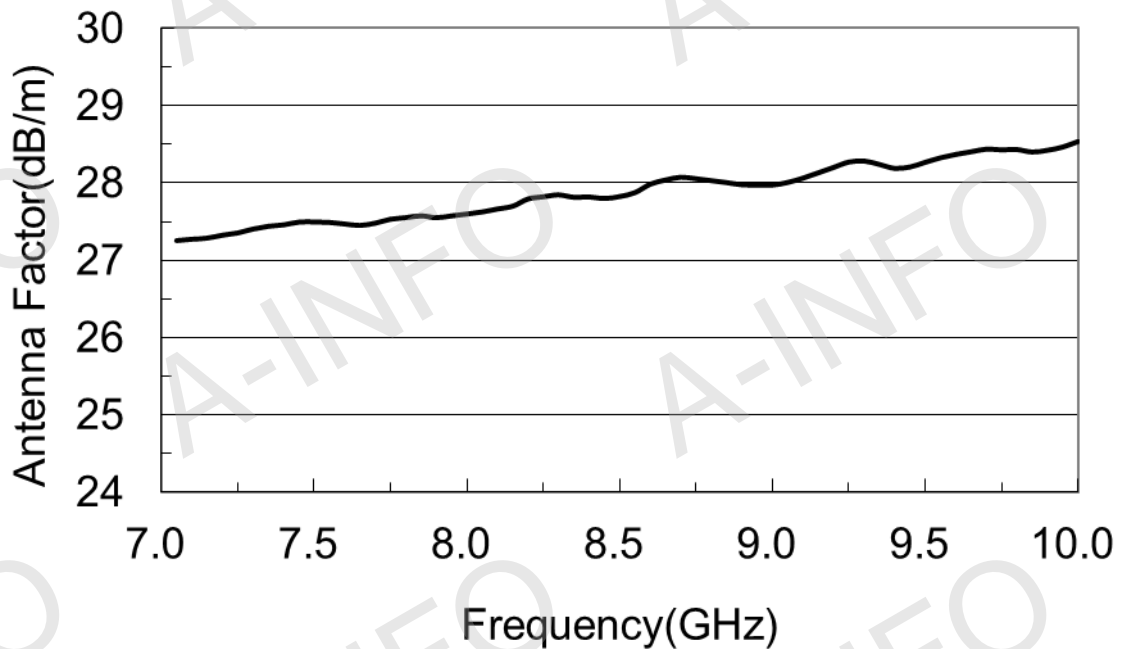
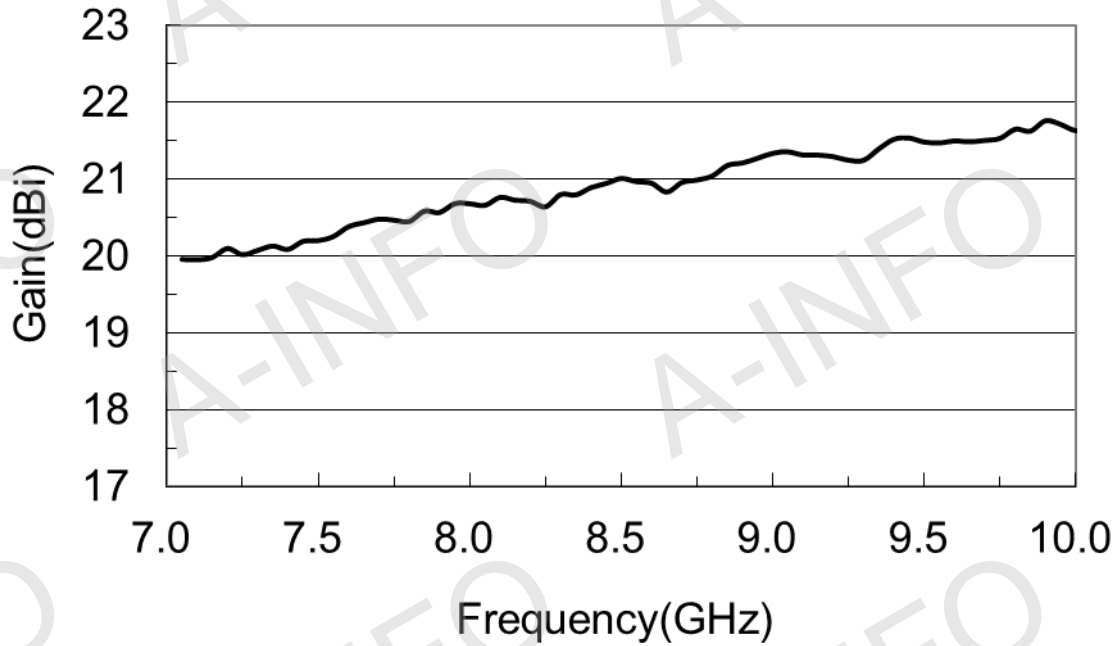
## Flange Drawing (Size: mm)



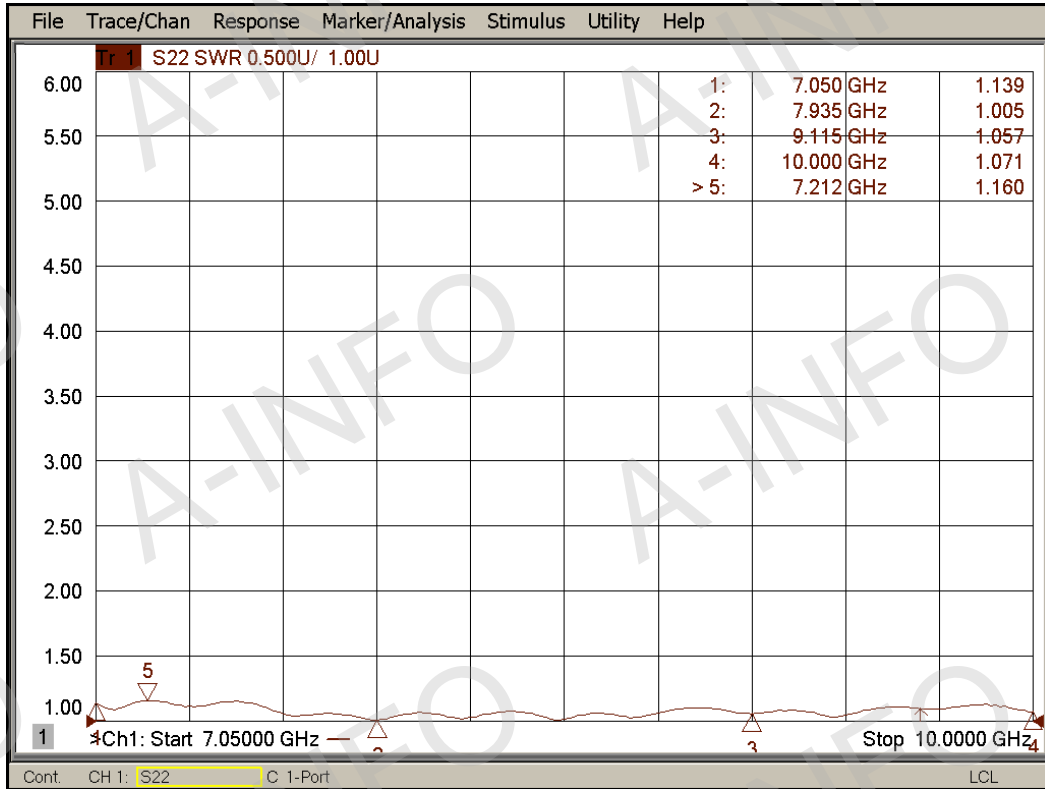
FBP84

## Test Results

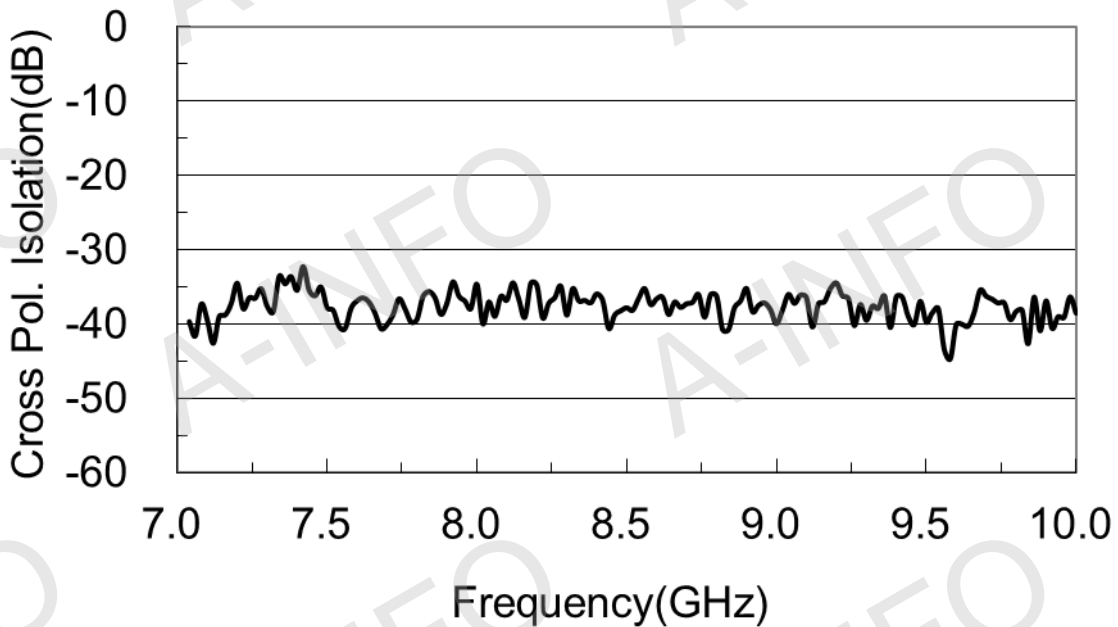
### 1. Gain and Antenna Factor



## 2. VSWR



## 3. Cross Polarization Isolation



## 4. Pattern

