

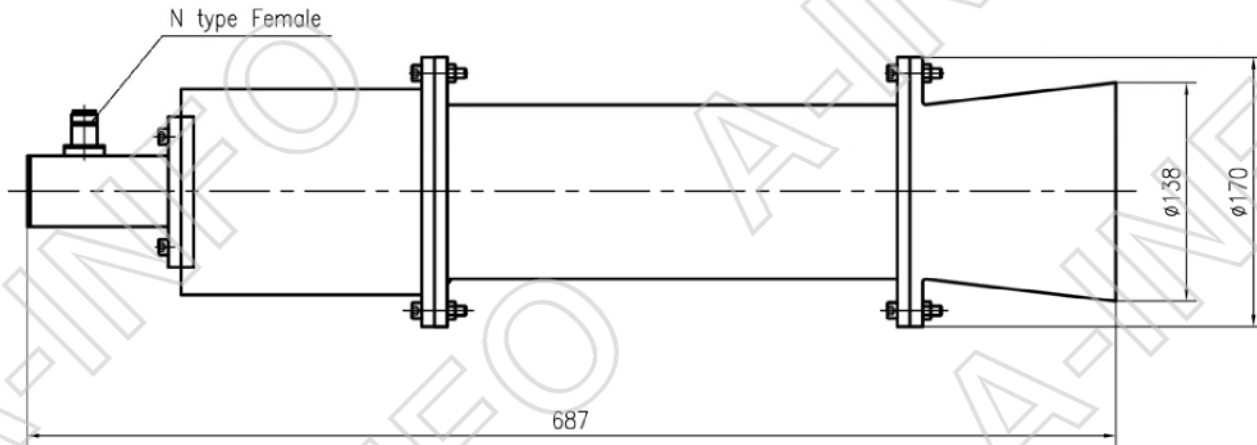
Technical Specification



Frequency Range(GHz)	2.0 - 4.0
Gain(dBic)	12.0 Typ.
Polarization	LHCP or RHCP
Axial Ratio(dB)	2.0 Typ.
	5.0 Max
VSWR	2.0:1 Max
Connector	N-F
Size(mm)	Φ170x687
Net Weight(Kg)	10.0 Around

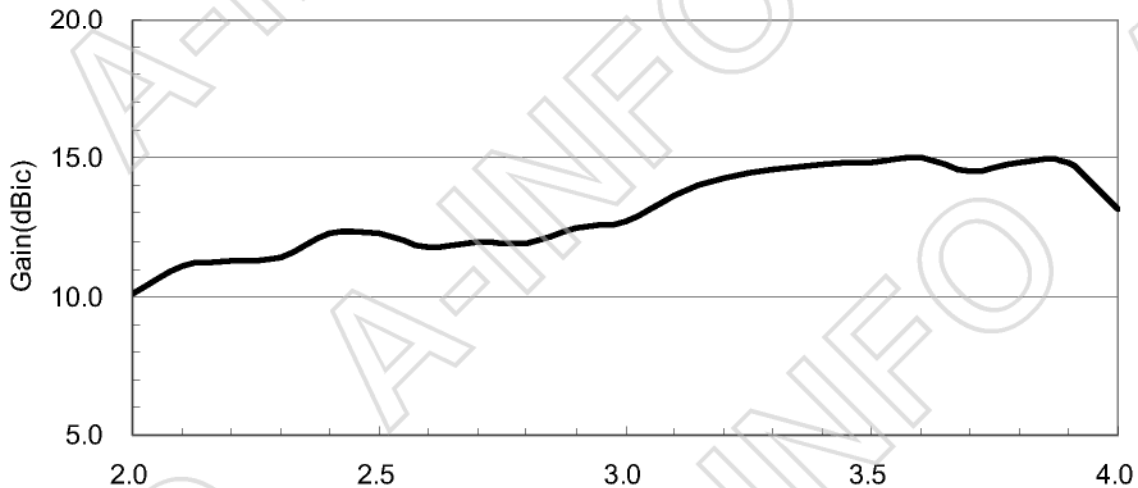
The picture is for reference only.

Outline Drawing (Size: mm)

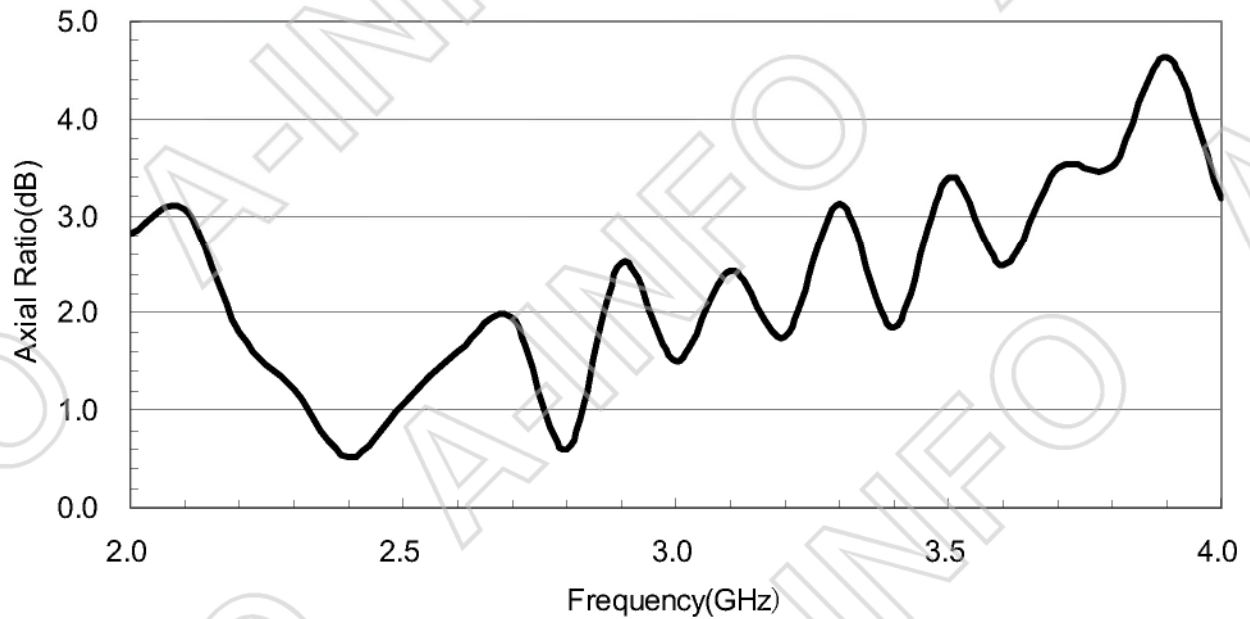


Test Results

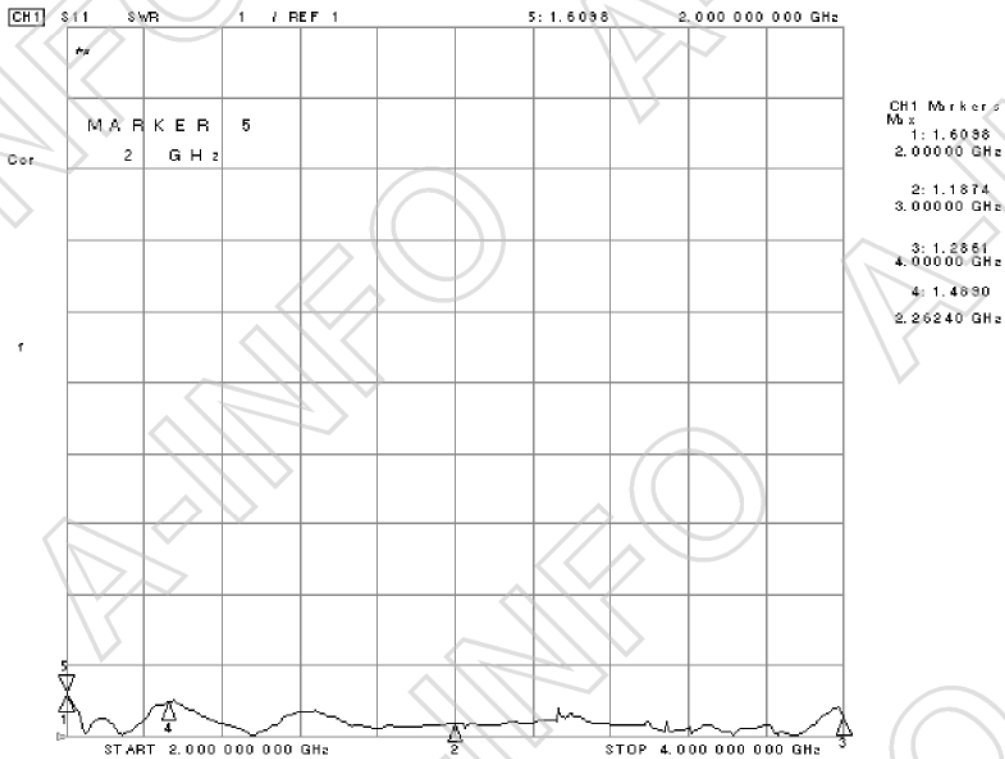
1. Gain



2. Axial Ratio



3. VSWR



4. Pattern

