

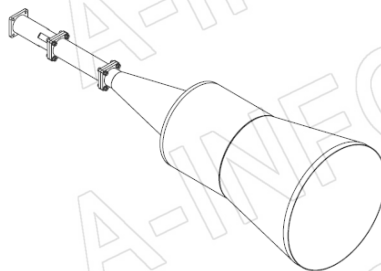
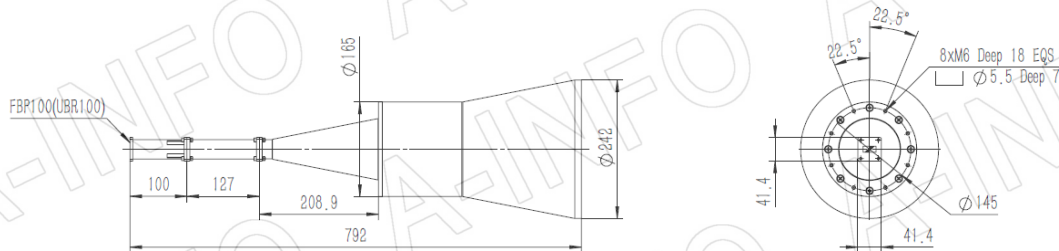
## Technical Specification



Frequency Range(GHz)	8.9 - 11.7
Waveguide	WR90
Gain(dBic)	25 Typ.
Polarization	RHCP
Axial Ratio(dB)	0.8 Typ.
	2.0 Max.
3dB Beamwidth(deg)	E Plane: 8 Typ.
	H Plane: 9 Typ.
VSWR	A Type: 1.15:1 Max.
	C Type: 1.50:1 Max.
Output	A Type: FBP100(UBR100)
	C Type: SMA-Female or N-Female or TNC-Female or 7mm or 3.5mm-Female
Material	Al
Size(mm)	A Type: 242 x 242 x 792
	C Type: 242 x 242 x 830
Net Weight(Kg)	A Type: 5.0 Around
	C Type: 5.3 Around

## Outline Drawing (Size: mm)

FBP100 Output (P/N: LB-CNH-90-25-R16-A)



AINFO Inc.

Page 1 of 8

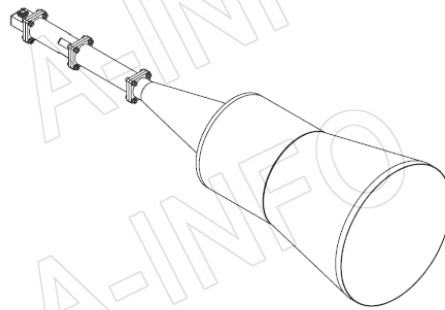
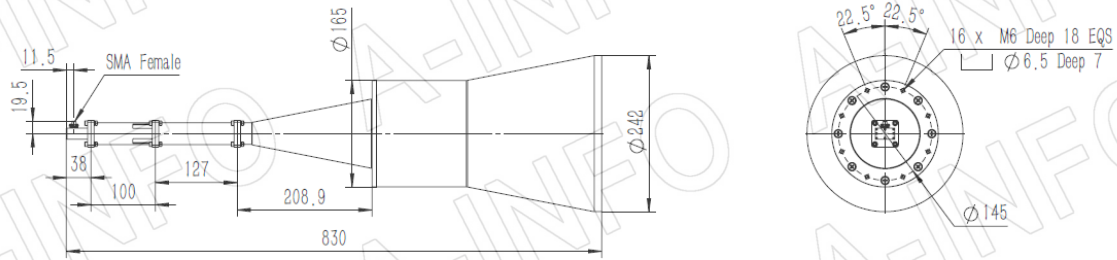
China(Beijing): Tel: (+86) 10-6266-7326,  
China(Chengdu): Tel: (+86) 28-8519-2786,  
USA: Tel: (+1) 949-639-9688,

(+86) 10-6266-7327 Fax: (+86) 10-6266-7379  
(+86) 28-8519-3044 Fax: (+86) 28-8519-3068  
(+1) 949-639-9608 Fax: (+1) 949-639-9670

Website: [www.ainfoinc.com](http://www.ainfoinc.com)  
Email: [sales@ainfoinc.com](mailto:sales@ainfoinc.com)

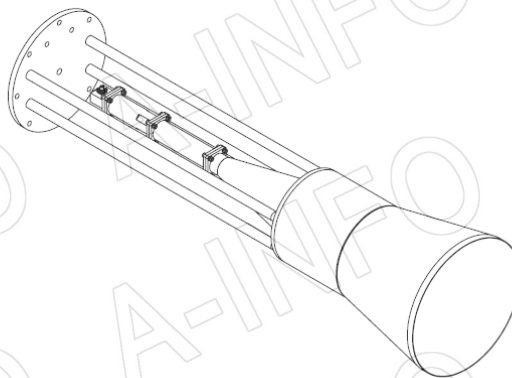
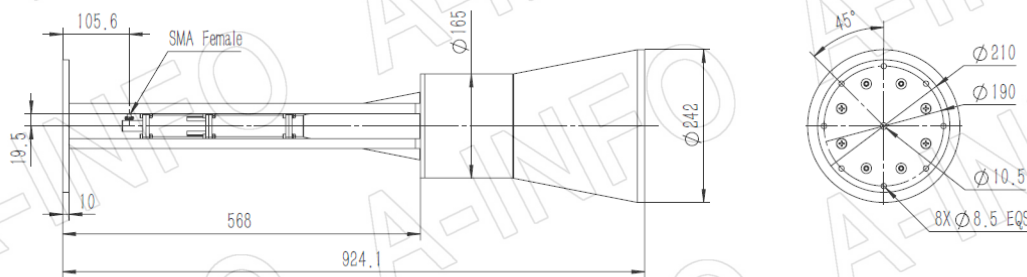
## SMA-Female Output (P/N: LB-CNH-90-25-R16-C-SF)

For N-Female, TNC- Female, 7mm or 3.5mm-Female output outline drawing, please contact A-INFO.



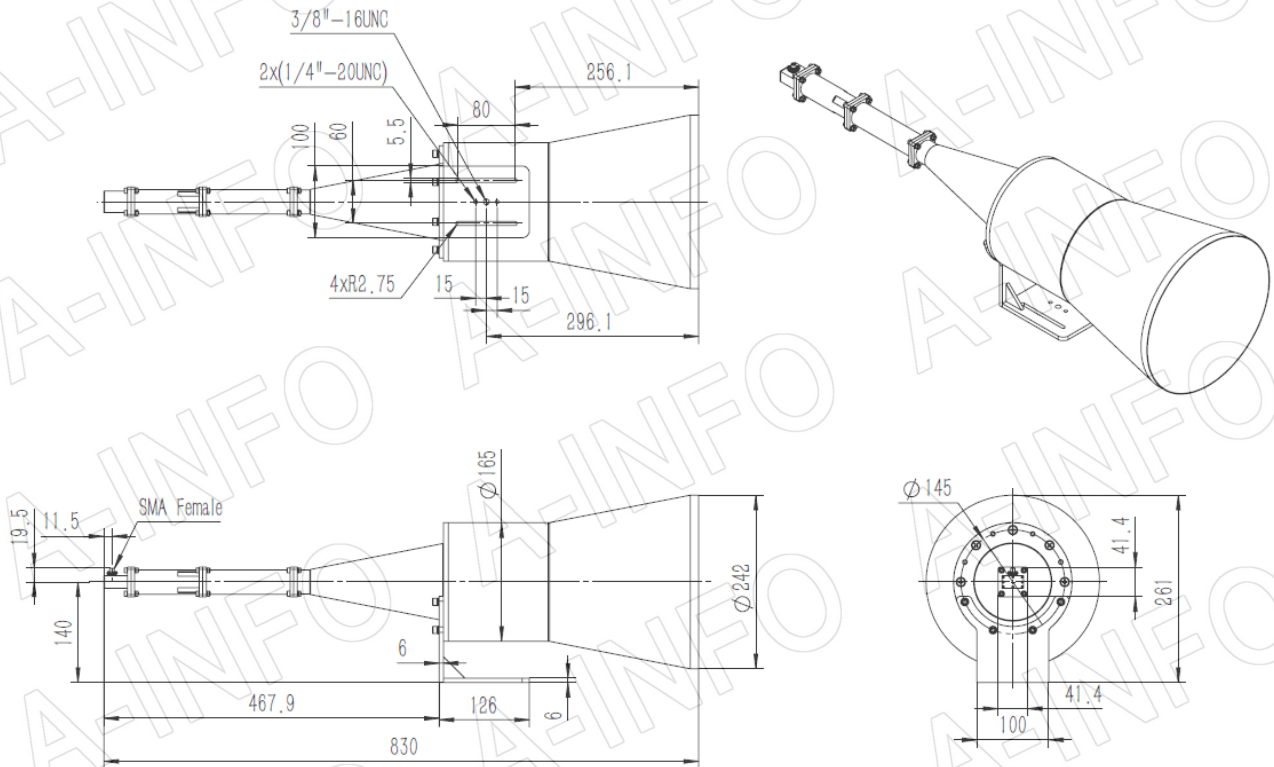
## SMA-Female Output with Round Mounting Bracket (Option, P/N: LB-CNH-90-25-MB)

For N-Female, TNC- Female, 7mm or 3.5mm-Female output outline drawing, please contact A-INFO.

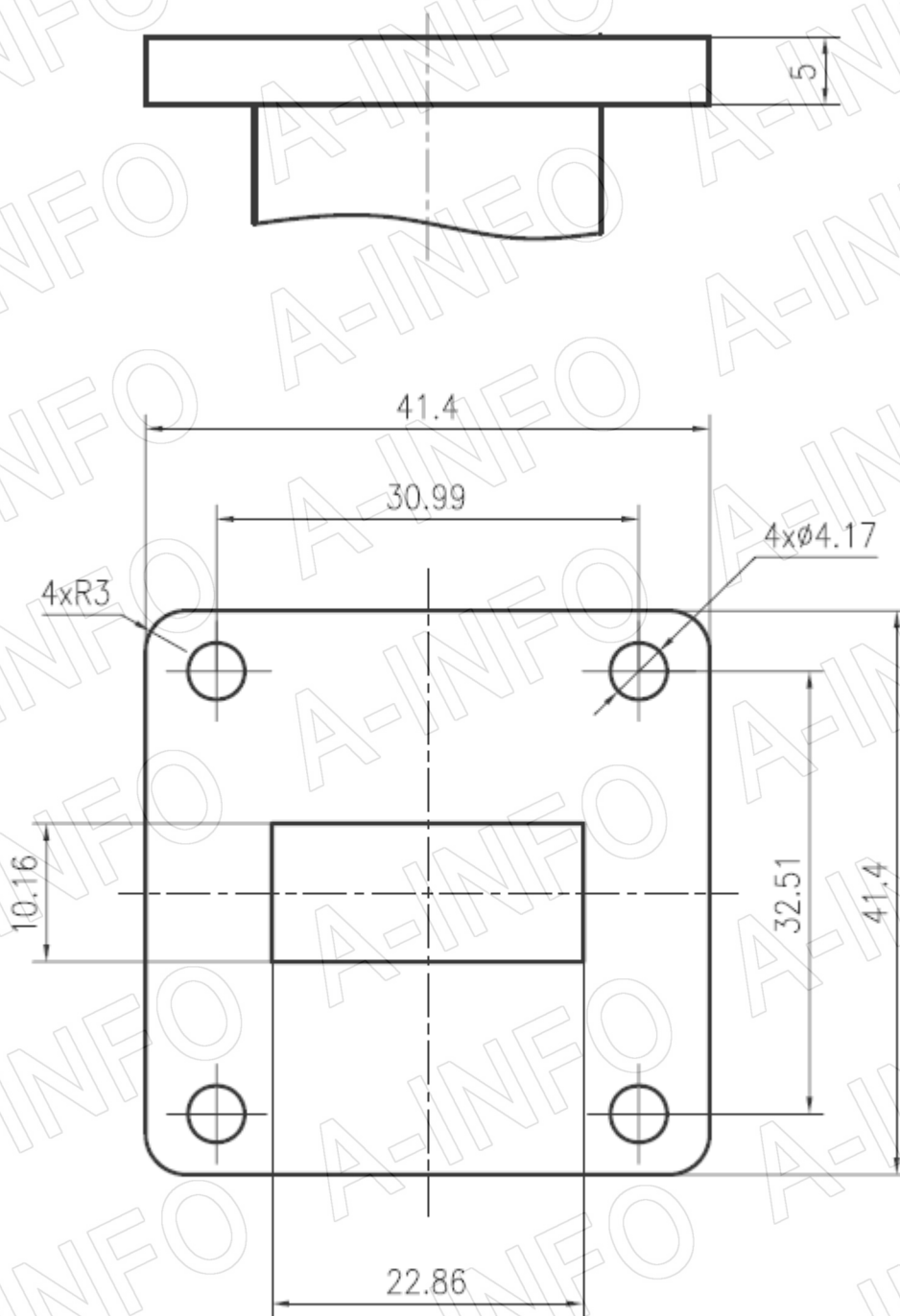


## SMA-Female Output with L Type Mounting Bracket (Option, P/N: LB-CN-90-25-L)

For N-Female, TNC- Female, 7mm or 3.5mm-Female output outline drawing, please contact A-INFO.



## Flange Drawing (Size: mm)



### FBP100

AINFO Inc.

Page 4 of 8

China(Beijing): Tel: (+86) 10-6266-7326,  
China(Chengdu): Tel: (+86) 28-8519-2786,  
USA: Tel: (+1) 949-639-9688,

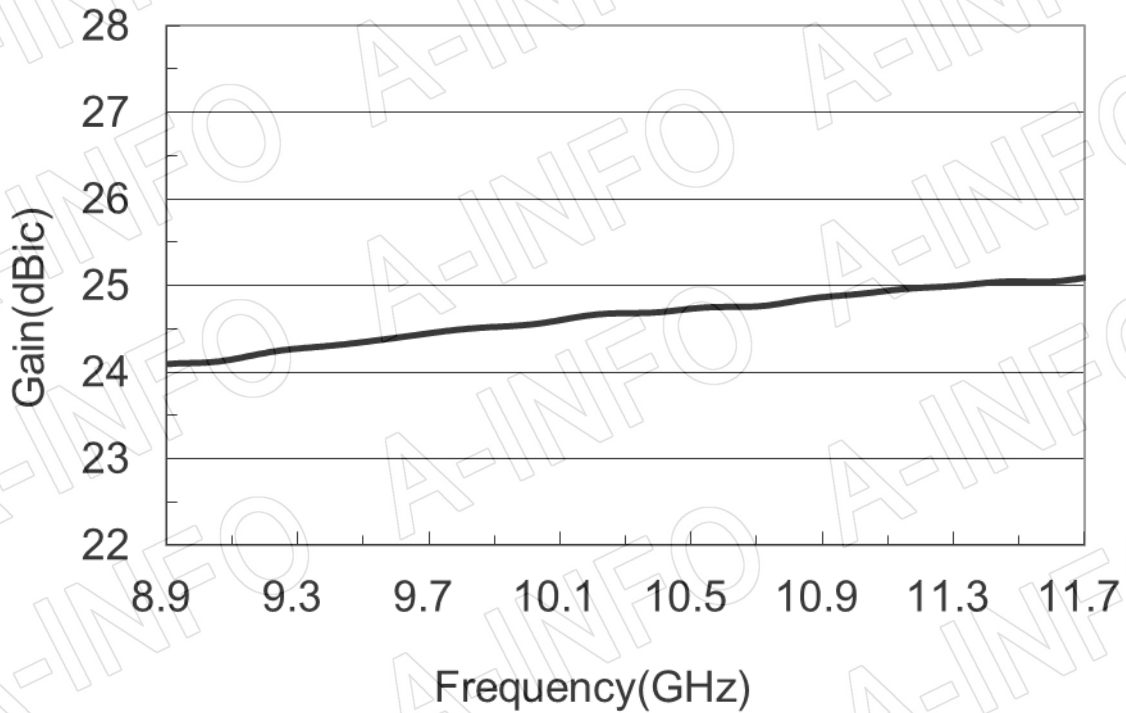
(+86) 10-6266-7327 Fax: (+86) 10-6266-7379  
(+86) 28-8519-3044 Fax: (+86) 28-8519-3068  
(+1) 949-639-9608 Fax: (+1) 949-639-9670

Website: [www.ainfoinc.com](http://www.ainfoinc.com)  
Email: [sales@ainfoinc.com](mailto:sales@ainfoinc.com)

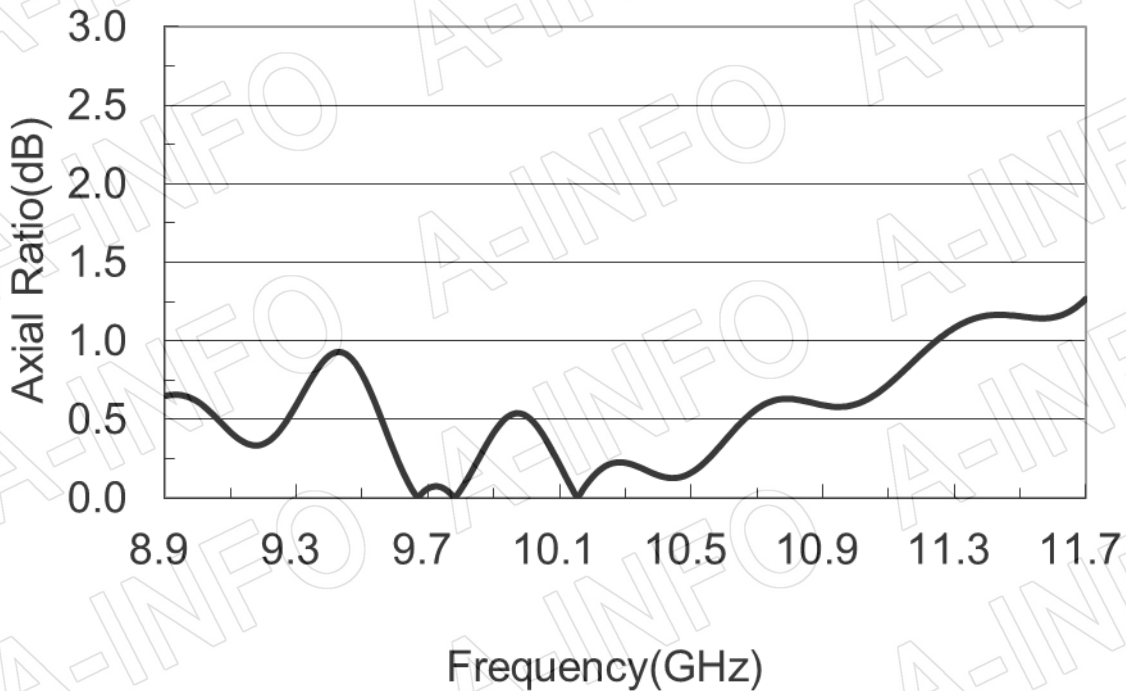


## Test Results

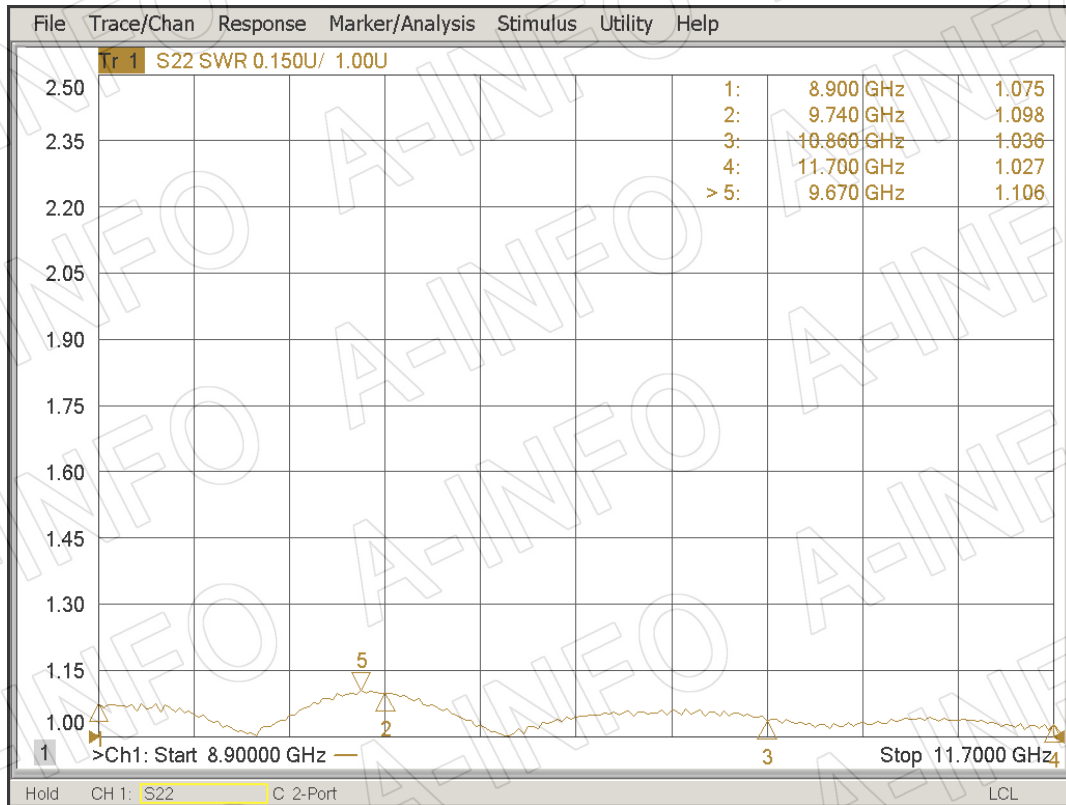
### 1. Gain



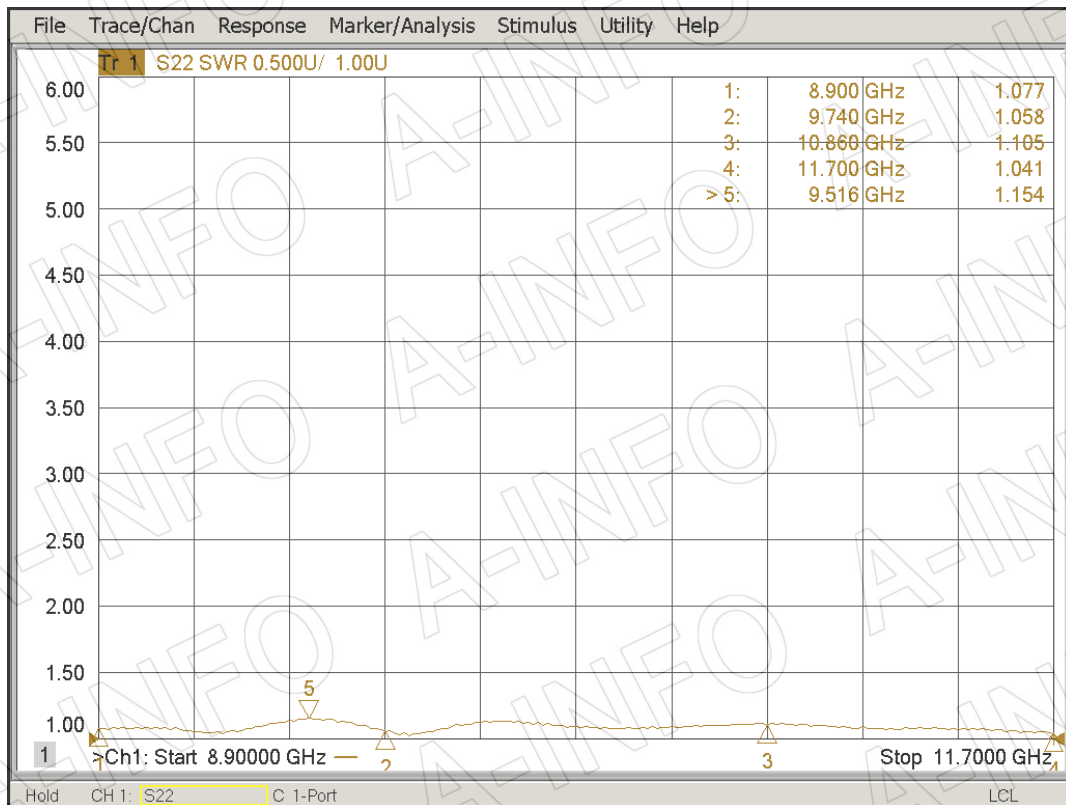
### 2. Axial Ratio



### 3. VSWR\_A Type



### VSWR\_C Type



## 4. Pattern

