

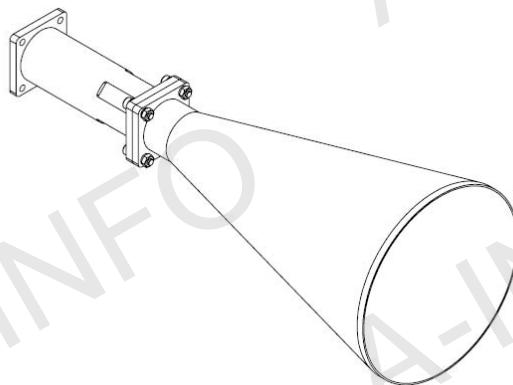
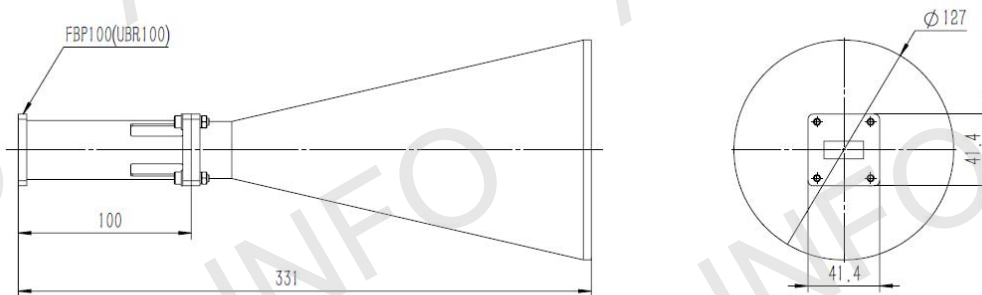
Technical Specification



Frequency Range(GHz)	8.2-12.4
Waveguide	WR90
Gain(dBi)	20 Typ.
Polarization	Linear
3dB Beamwidth(deg)	E Plane: 15 Typ.
	H Plane: 13 Typ.
Cross Pol. Isolation(dB)	-45 Typ.
VSWR	A Type: 1.25 Max.
	C Type: 1.50 Max.
Output	A Type: FBP100(UBR100)
	C Type: N-Female or SMA-Female
Material	Al
Size(mm)	A Type: $\Phi 127 \times 331$
	C Type: $\Phi 127 \times 369$
Net Weight(Kg)	A Type: 0.50 Around
	C Type: 0.55 Around

Outline Drawing (Size: mm)

A Type (With FBP100 Output)



AINFO Inc.

Page 1 of 8

China(Beijing):
China(Chengdu):
USA :

Tel: (+86) 10-6266-7326,
Tel: (+86) 28-8519-2786,
Tel: (+1) 949-639-9688,

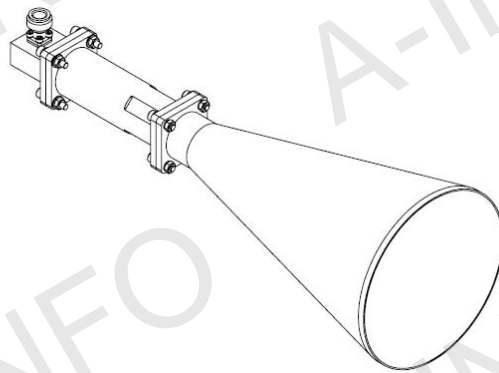
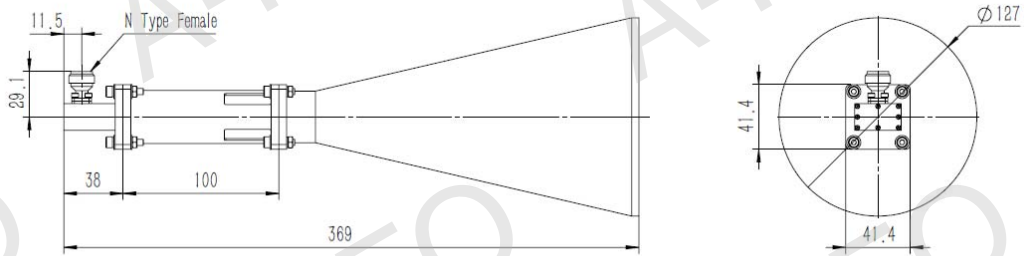
(+86) 10-6266-7327
(+86) 28-8519-3044
(+1) 949-639-9608

Fax: (+86) 10-6266-7379
Fax: (+86) 28-8519-3068
Fax: (+1) 949-639-9670

Website: www.ainfoinc.com
Email: sales@ainfoinc.com

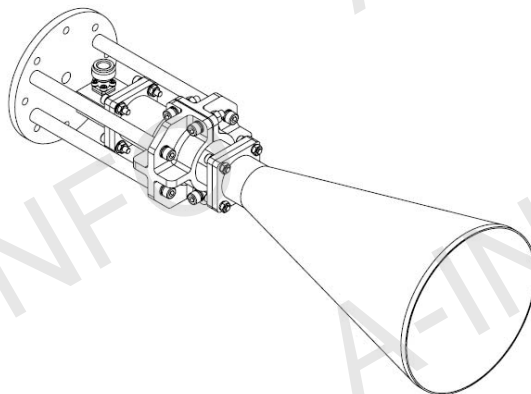
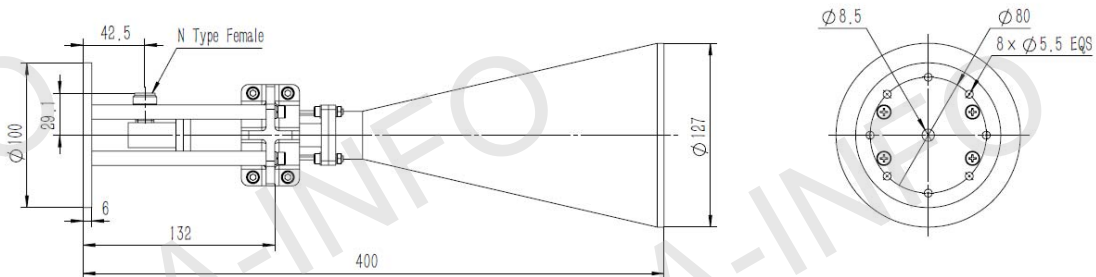
C Type (With N-Female Output)

For SMA-Female output outline drawing, please contact A-INFO.

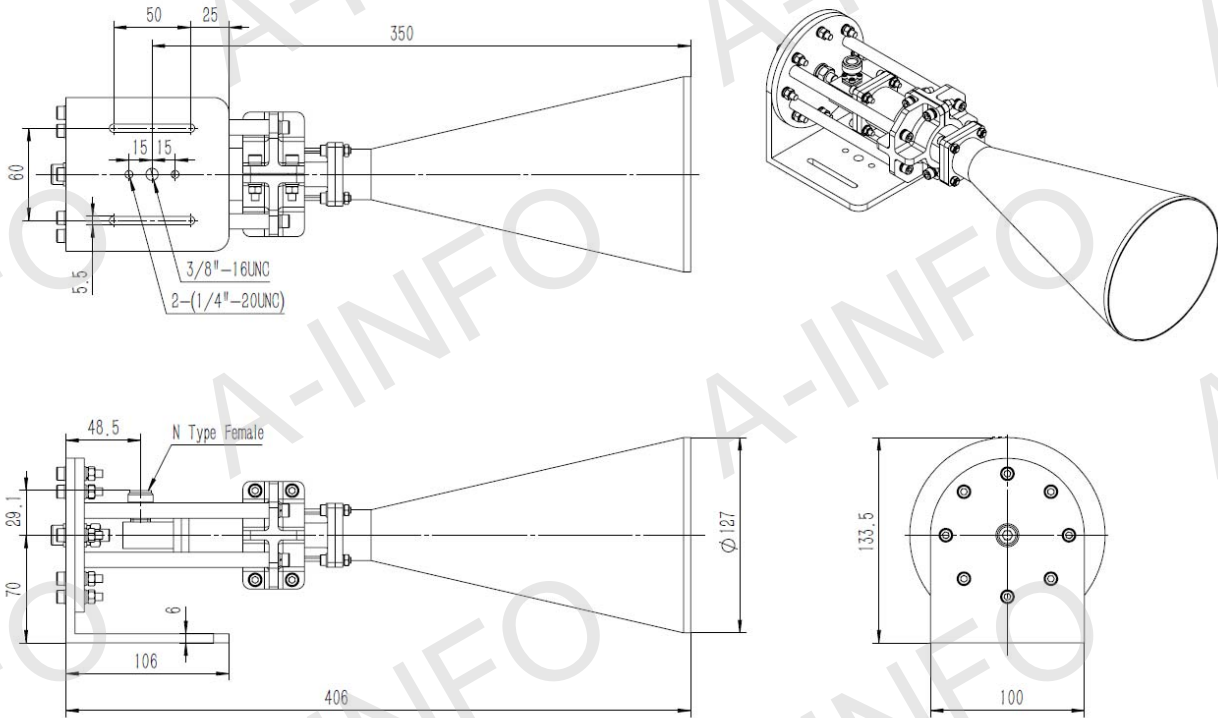


C Type (With N-Female Output & Round Mounting Bracket)

For SMA-Female output outline drawing, please contact A-INFO.

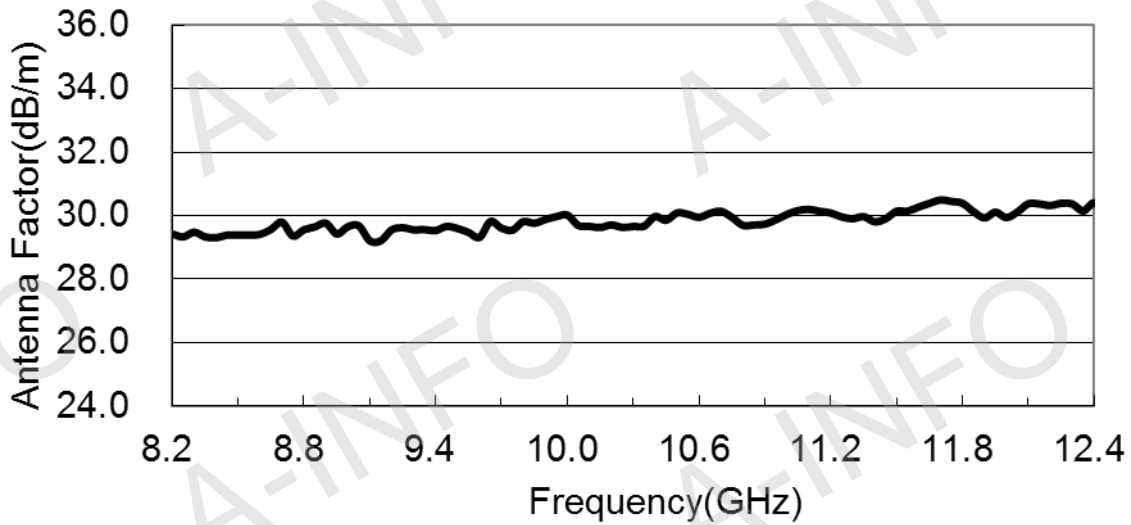
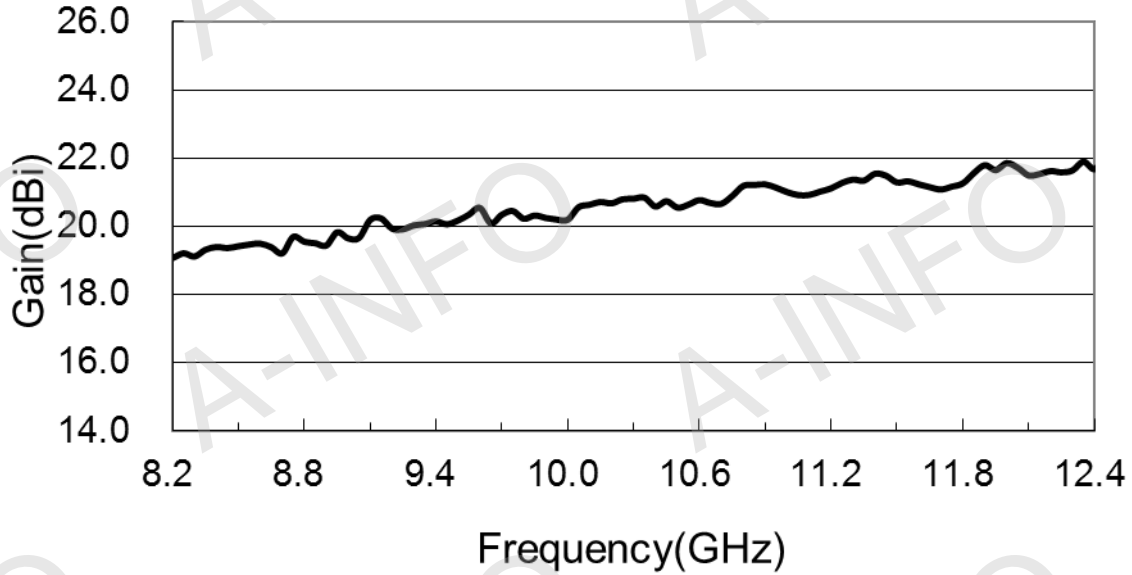


C Type (With N-Female Output & L Type Mounting Bracket)
For SMA-Female output outline drawing, please contact A-INFO.

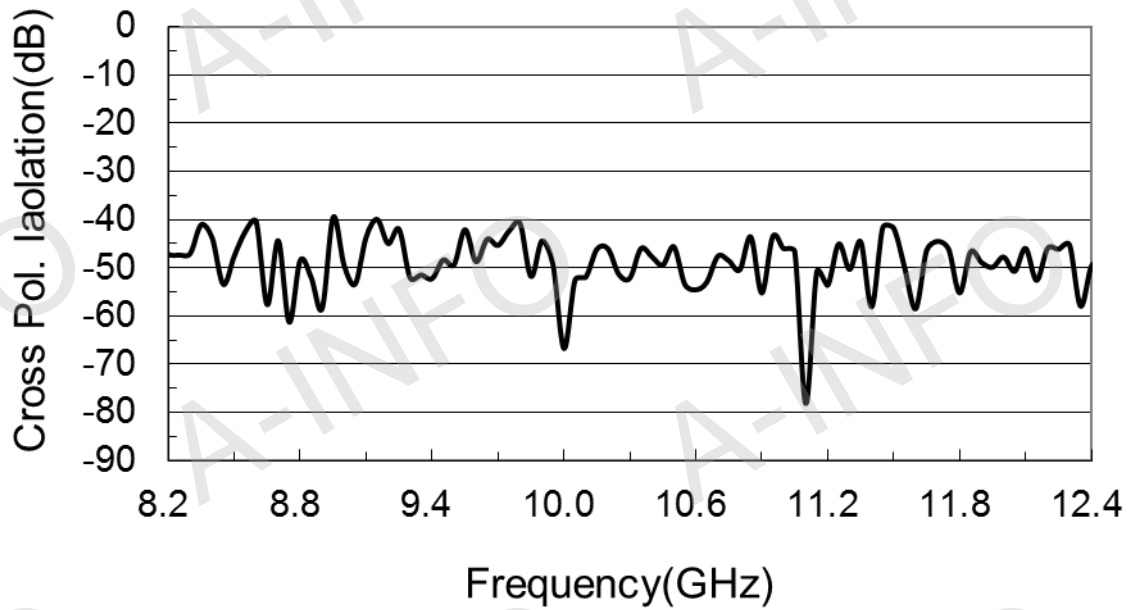


Test Results

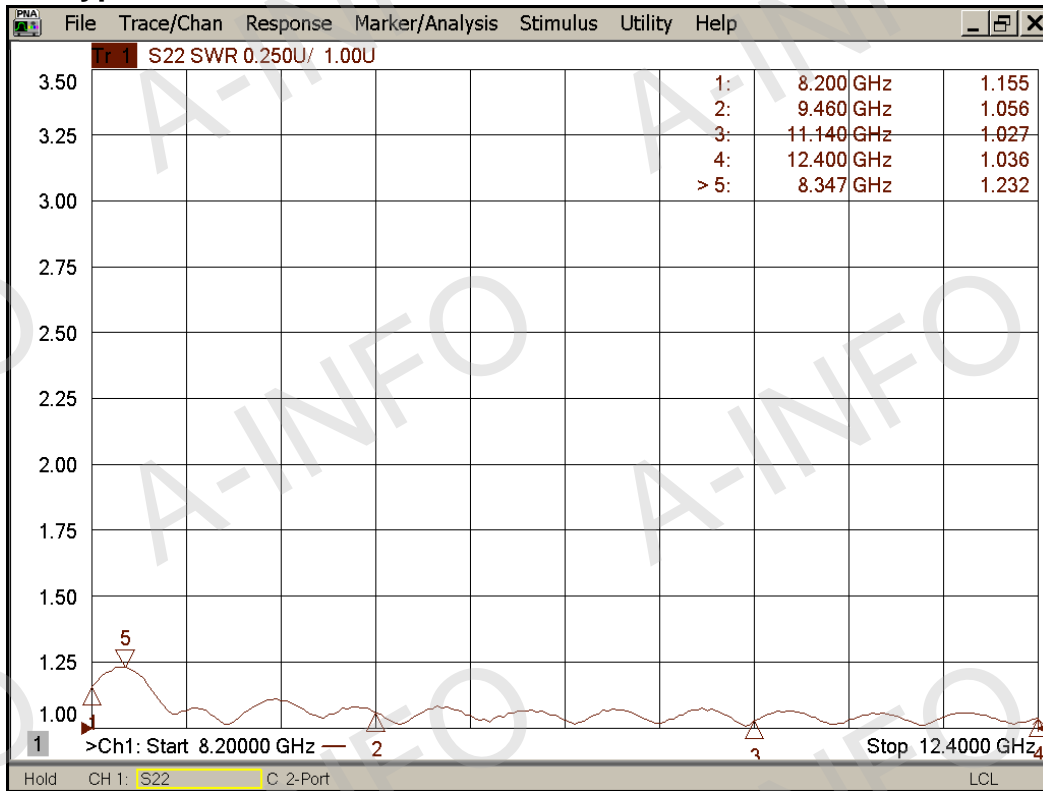
1. Gain & Antenna Factor



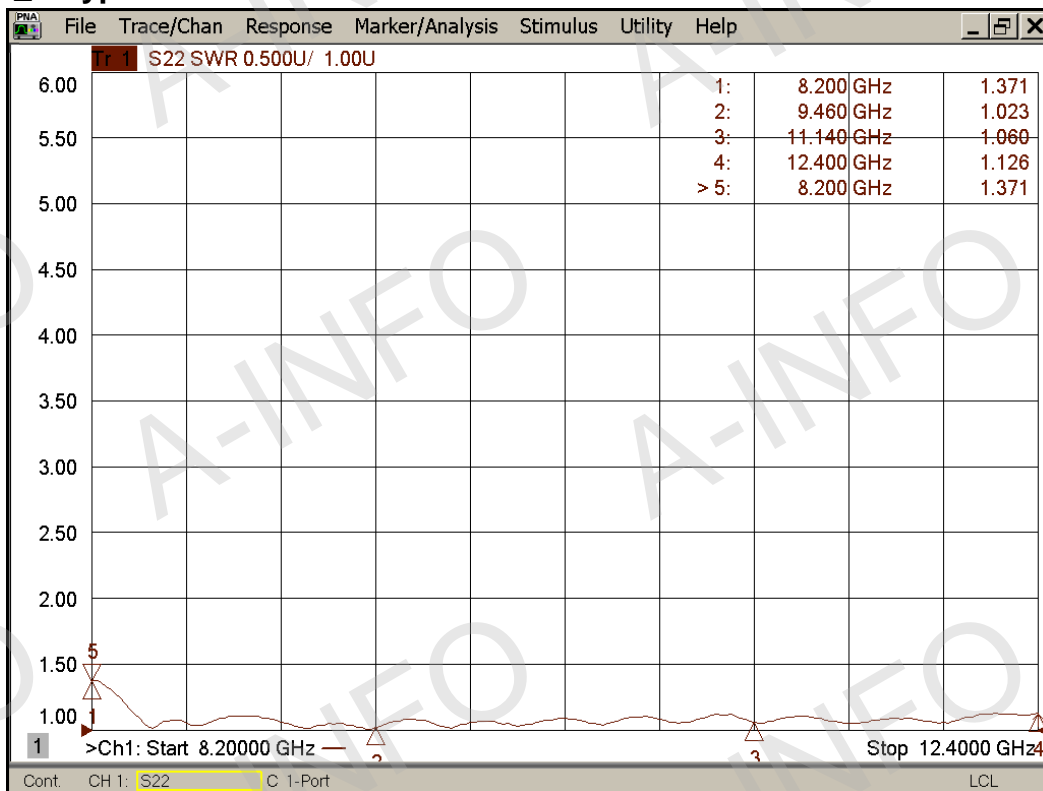
2. Cross Polarization Isolation



3. VSWR_A Type



VSWR_C Type



4. Pattern

