

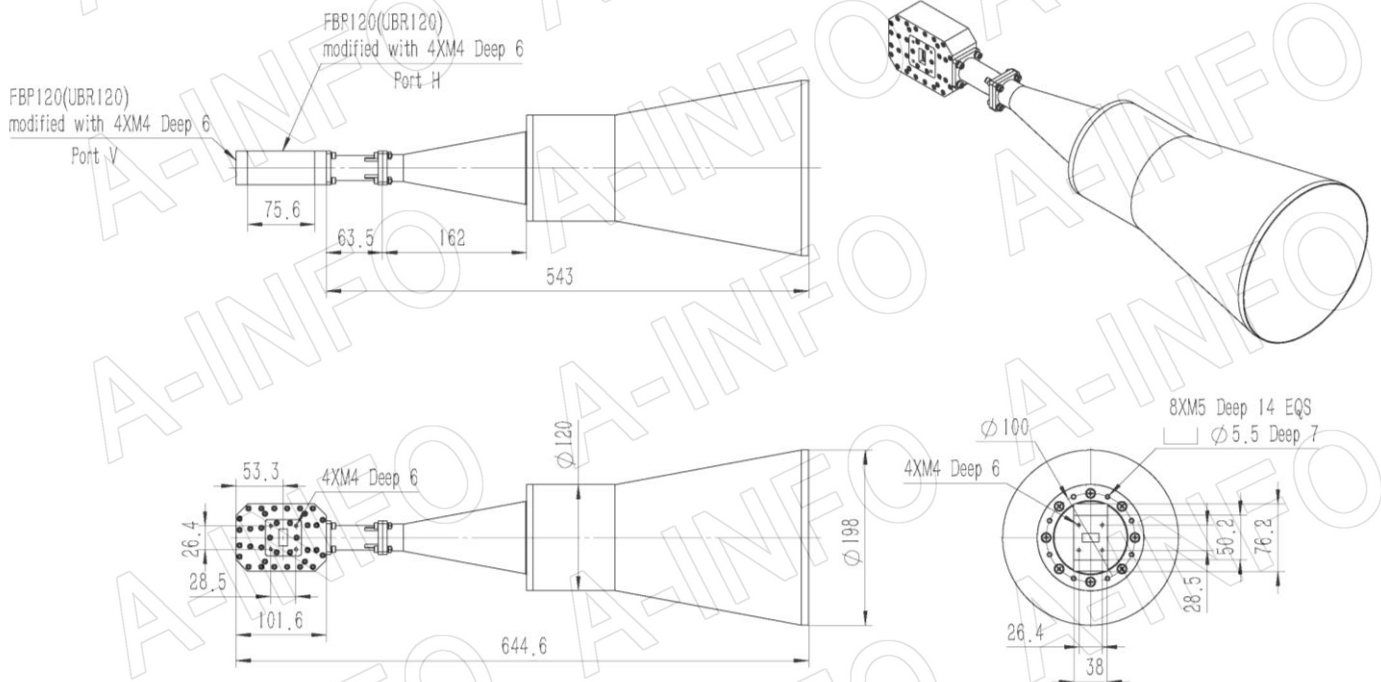
Technical Specification



Frequency Range(GHz)	10.0 – 15.0
Waveguide	WR75
Gain(dBi)	25 Typ.
Polarization	Dual Linear
3dB Beamwidth(deg)	E Plane: 8 Typ.
	H Plane: 9 Typ.
Cross Pol. Isolation(dB)	40 Typ. ; 30 Min.
Port to Port Isolation(dB)	50 Typ. ; 40 Min.
VSWR	A Type: 1.60:1 Max.
	C Type: 1.80:1 Max.
Output	A Type: FBP120(UBR120) (modified with 4xM4 Deep 6)
	C Type: SMA-Female or N-Female or TNC-Female or 7mm or 3.5mm-Female
Material	Al
Size(mm)	A Type: 189 x 189 x 644.6
	C Type: 189 x 189 x 674.6
Net Weight(Kg)	A Type: 2.81 Around
	C Type: 2.91 Around

Outline Drawing (Size: mm)

FBP120 Output (P/N: LB-CNH-75-25-T02-A)



AINFO Inc.

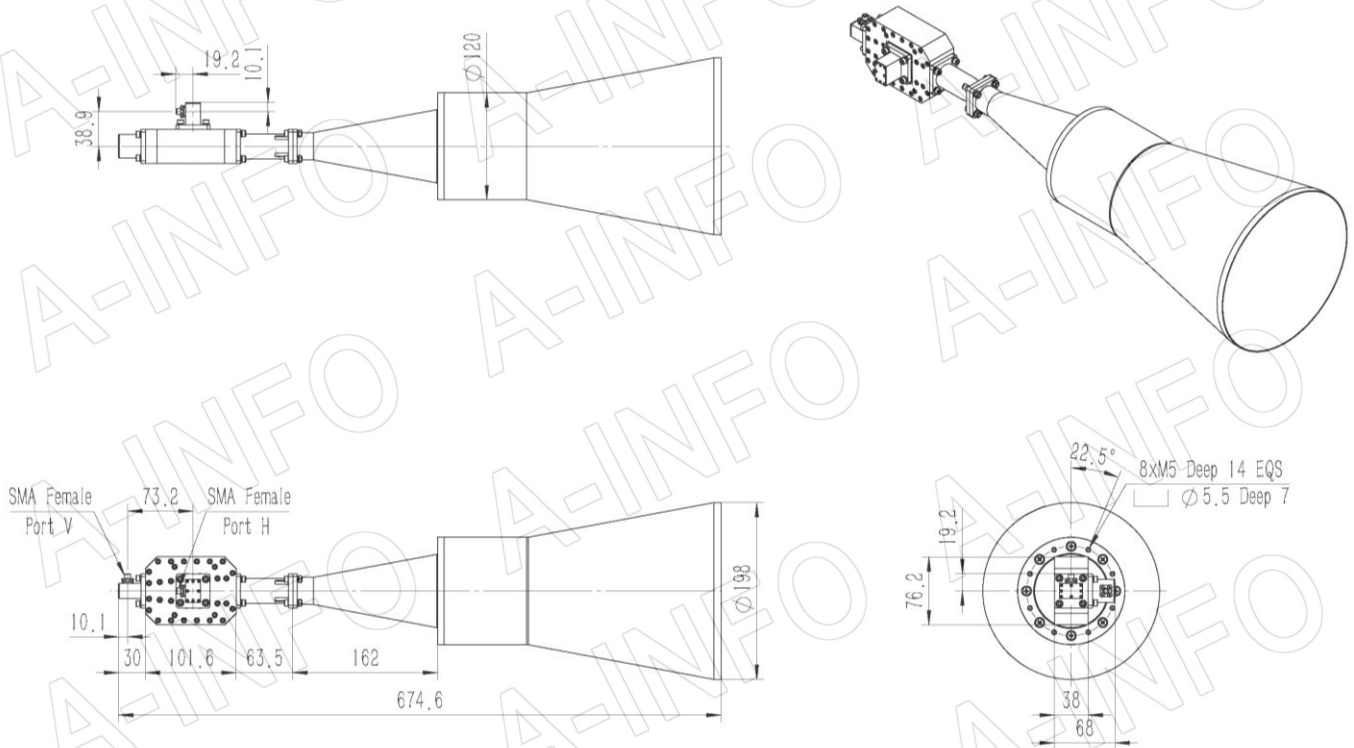
China(Beijing): Tel: (+86) 10-6266-7326,
China(Chengdu): Tel: (+86) 28-8519-2786,
USA: Tel: (+1) 949-639-9688,

Page 1 of 9
(+86) 10-6266-7327 Fax: (+86) 10-6266-7379
(+86) 28-8519-3044 Fax: (+86) 28-8519-3068
(+1) 949-639-9608 Fax: (+1) 949-639-9670

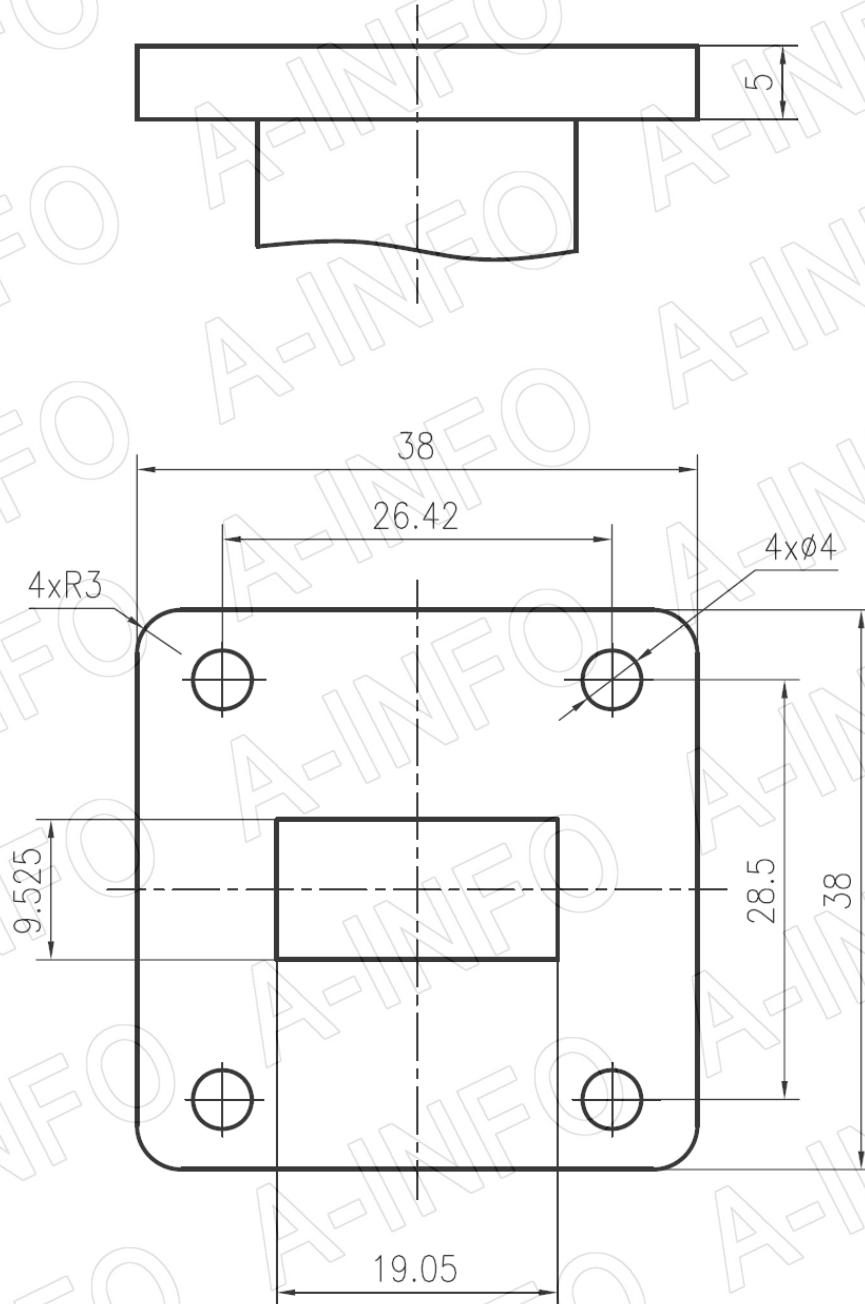
Website: www.ainfoinc.com
Email: sales@ainfoinc.com

SMA-Female Output (P/N: LB-CN75-25-T02-C-SF)

For N-Female, TNC- Female, 7mm or 3.5mm-Female output outline drawing, please contact A-INFO.



Flange Drawing (Size: mm)



FBP120

AINFO Inc.

China(Beijing): Tel: (+86) 10-6266-7326,
China(Chengdu): Tel: (+86) 28-8519-2786,
USA: Tel: (+1) 949-639-9688,

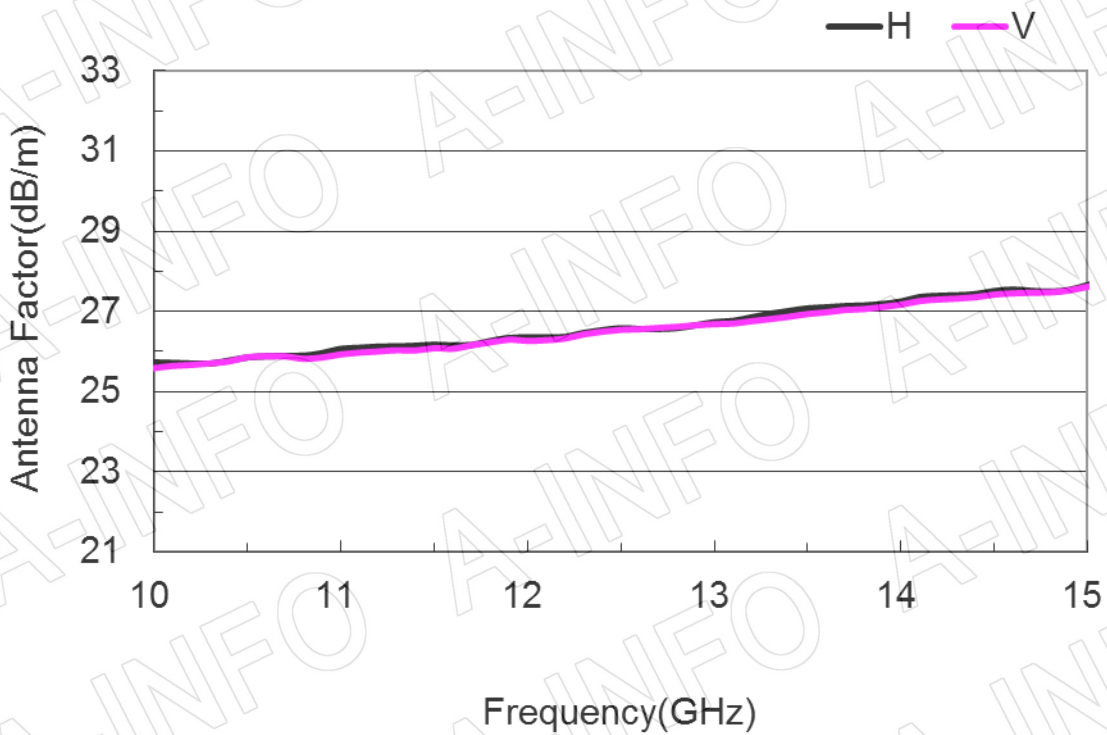
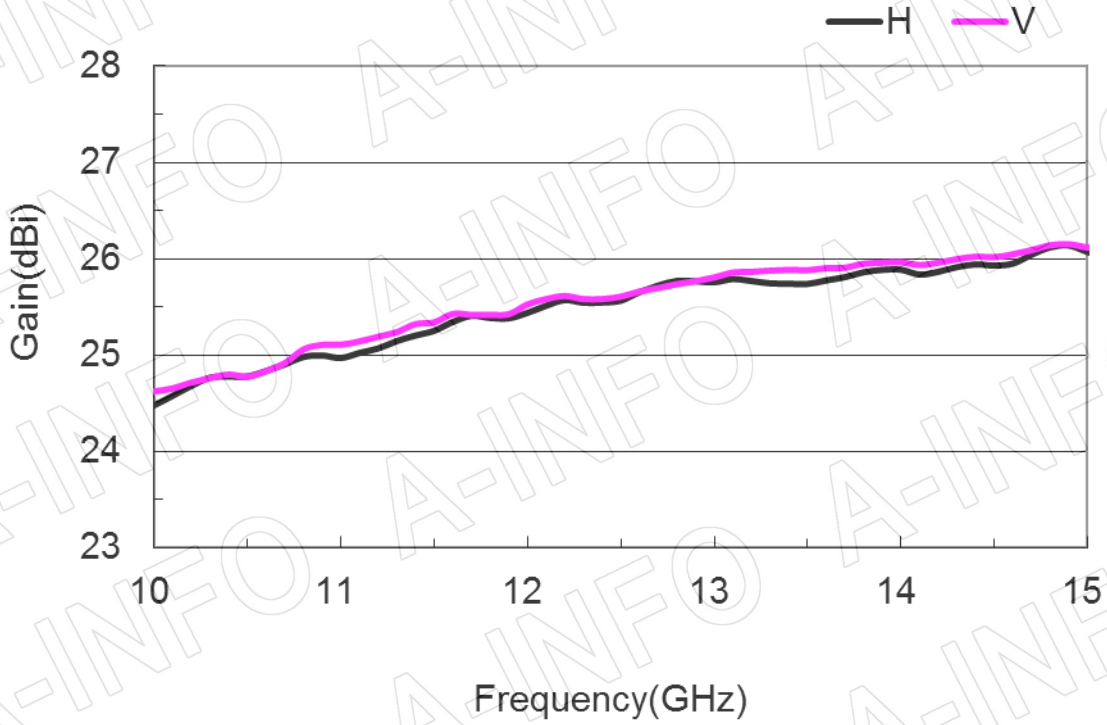
Page 3 of 9

(+86) 10-6266-7327 Fax: (+86) 10-6266-7379
(+86) 28-8519-3044 Fax: (+86) 28-8519-3068
(+1) 949-639-9608 Fax: (+1) 949-639-9670

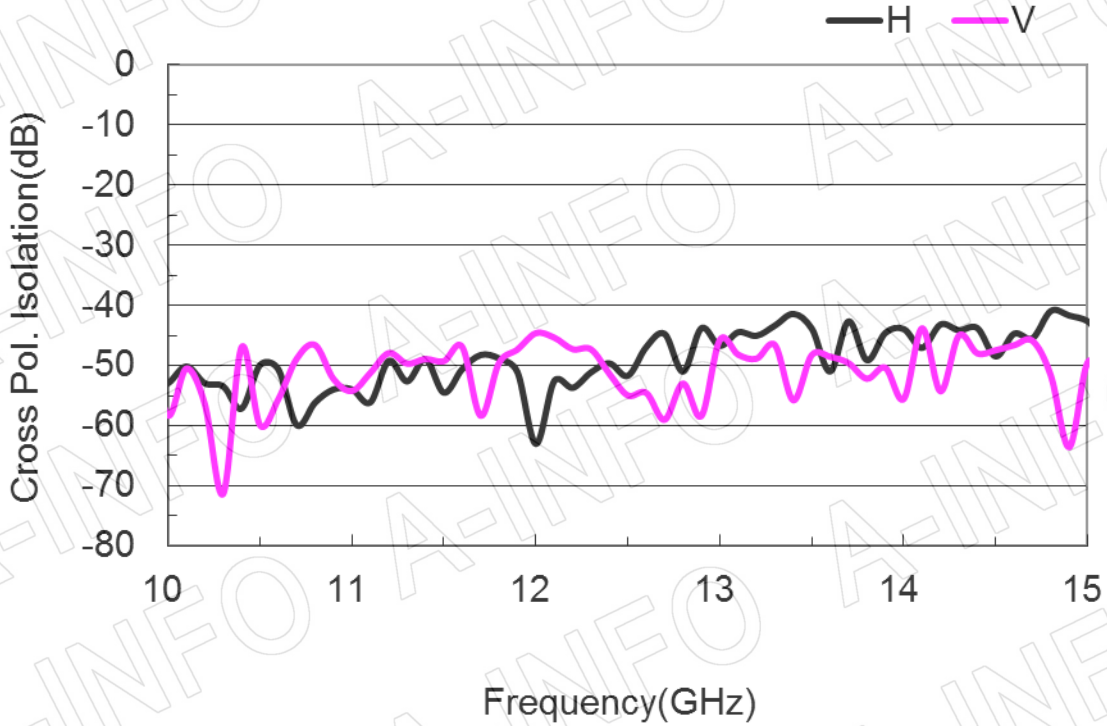
Website: www.ainfoinc.com
Email: sales@ainfoinc.com

Test Results

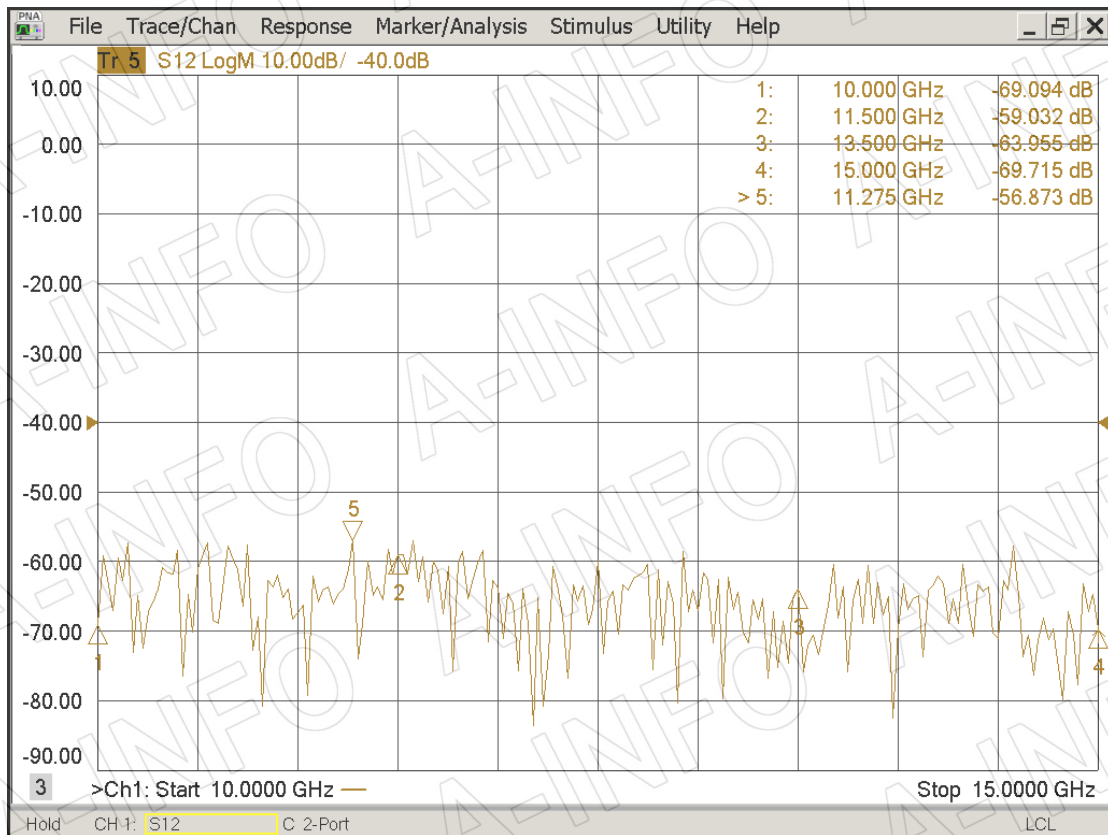
1. Gain & Antenna Factor



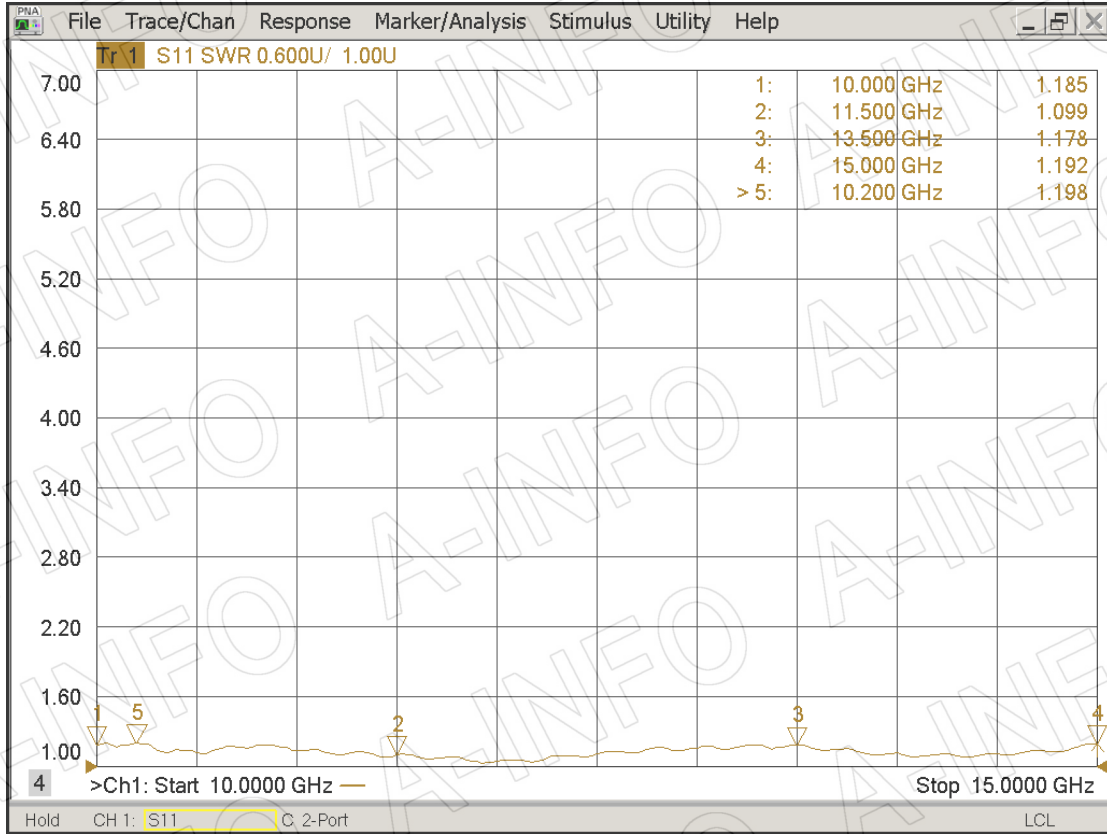
2. Cross Polarization Isolation



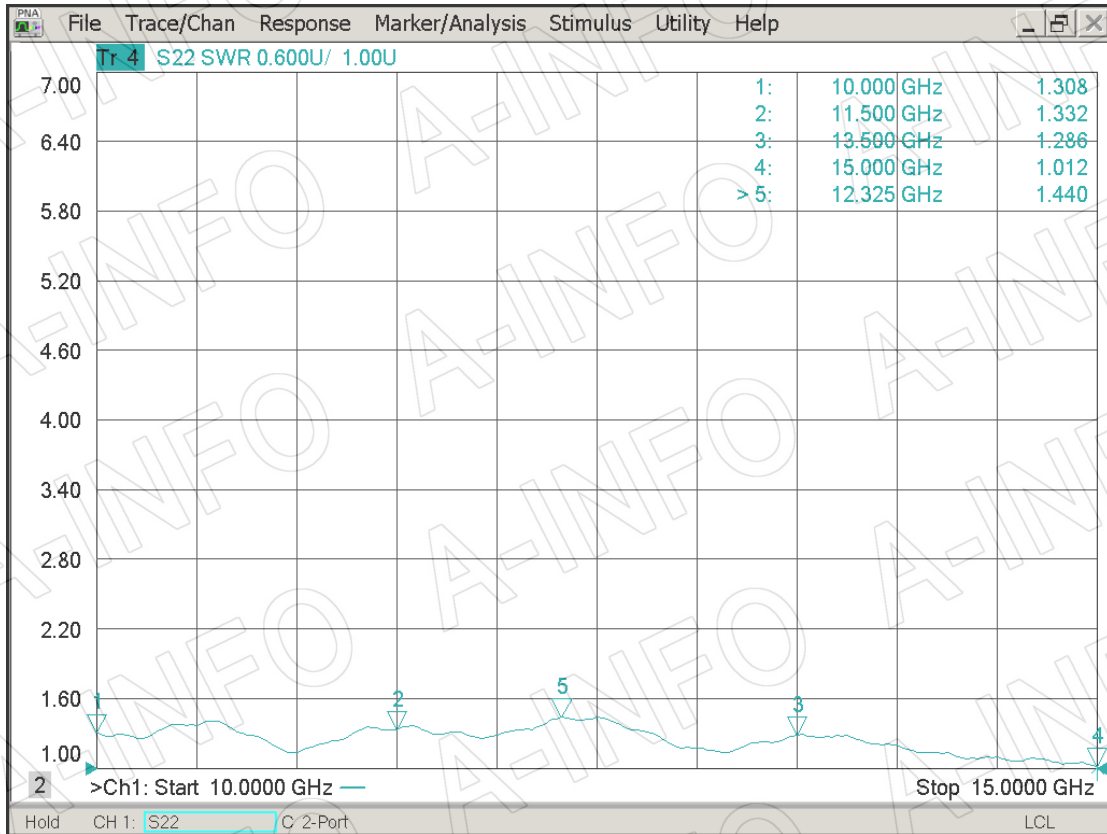
3. Port to Port Isolation



4. VSWR_A Type Port-H

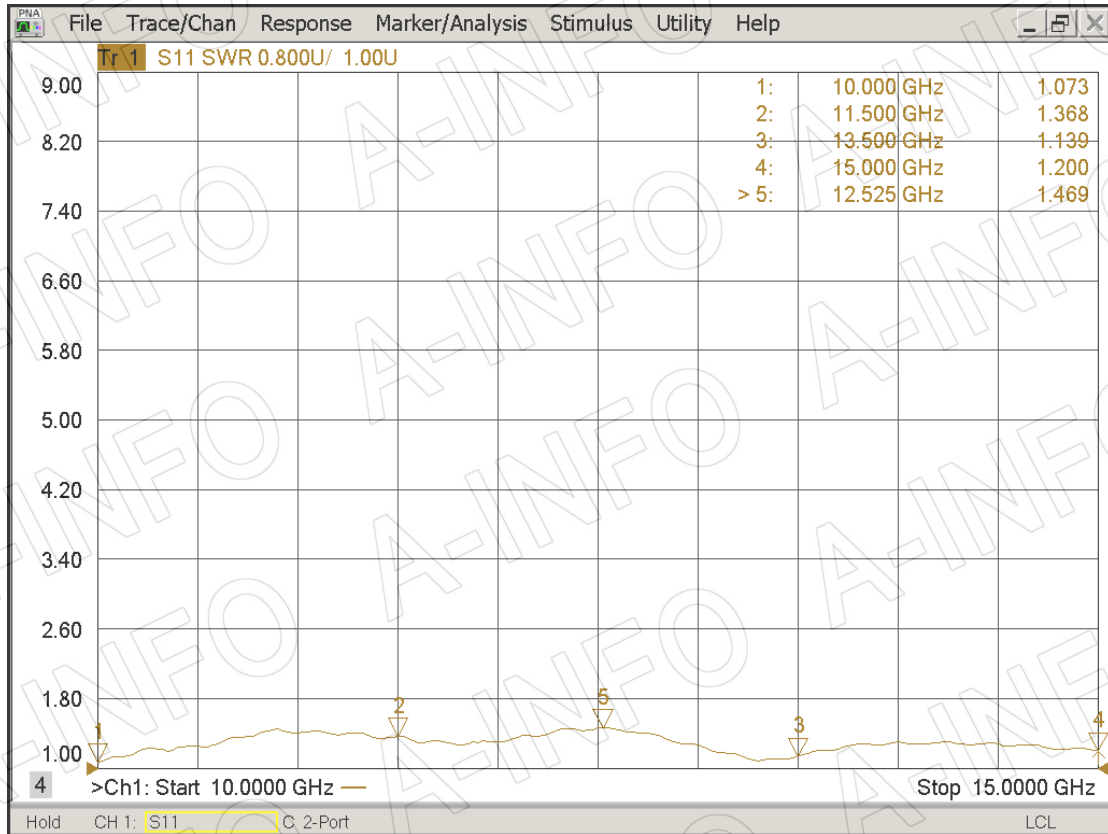


Port-V

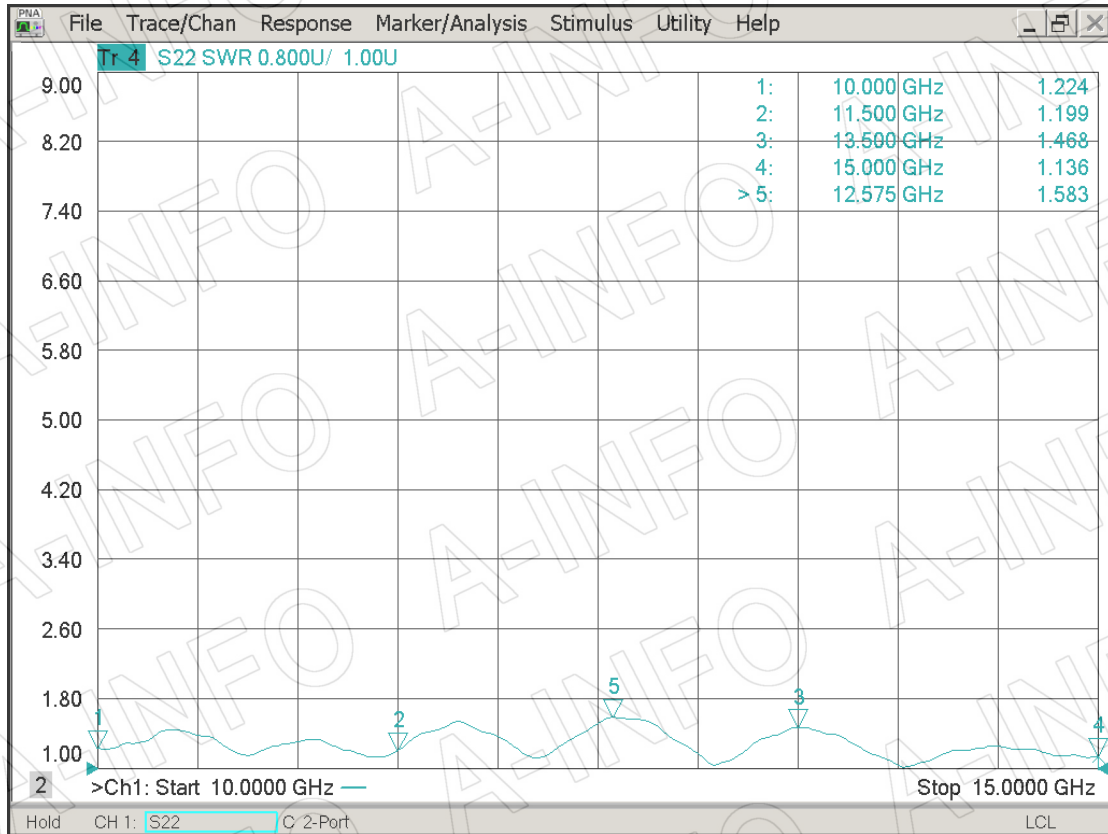


VSWR_C Type

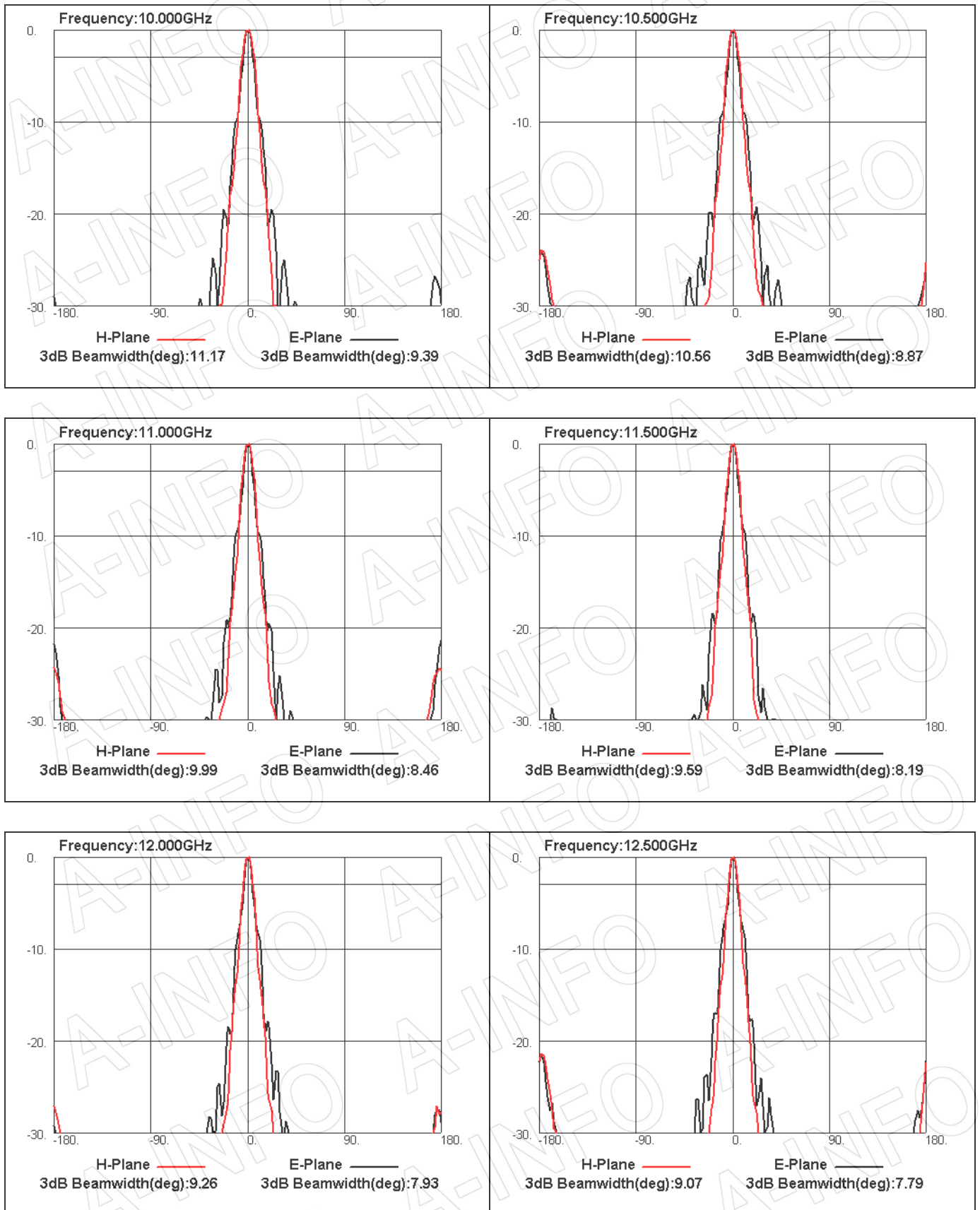
Port-H



Port-V



5. Pattern



AINFO Inc.

China(Beijing): Tel: (+86) 10-6266-7326,
China(Chengdu): Tel: (+86) 28-8519-2786,
USA: Tel: (+1) 949-639-9688,

Page 8 of 9

(+86) 10-6266-7327 Fax: (+86) 10-6266-7379
(+86) 28-8519-3044 Fax: (+86) 28-8519-3068
(+1) 949-639-9608 Fax: (+1) 949-639-9670

Website: www.ainfoinc.com
Email: sales@ainfoinc.com

