

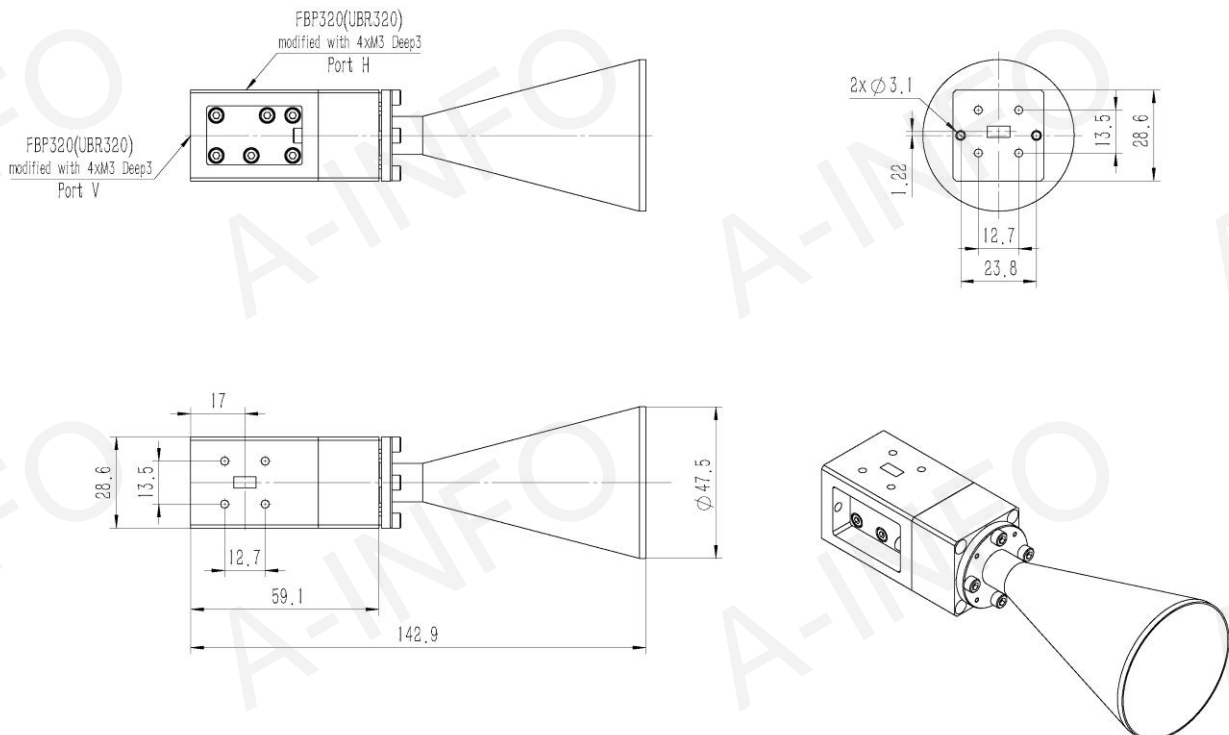
Technical Specification



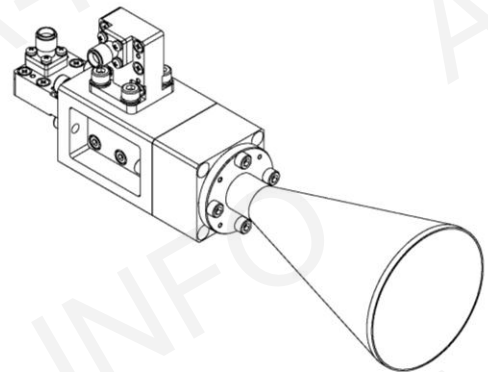
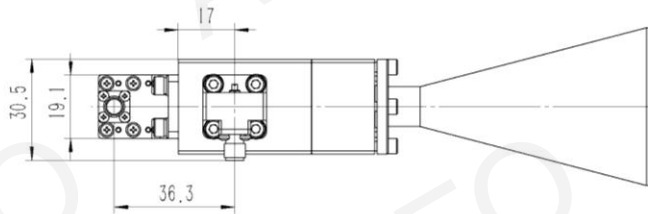
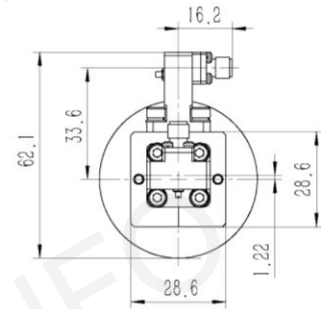
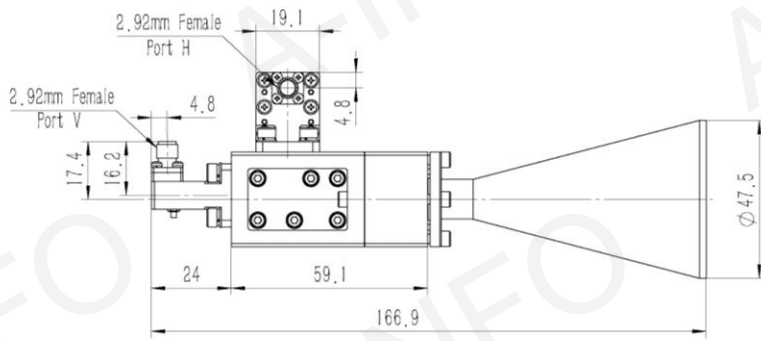
Frequency Range(GHz)	26.0 - 35.0	
Waveguide	WR28	
Gain(dBi)	20 Typ.	
Polarization	Dual Linear	
3dB Beamwidth(deg)	E Plane:	12 Typ.
	H Plane:	15 Typ.
Cross Pol. Isolation(dB)	40 Typ.	
	30 Min.	
Port to Port Isolation(dB)	40 Typ.	
	30 Min.	
VSWR	A Type:	2.50:1 Max.
	C Type:	2.80:1 Max.
Output	A Type:	FBP320(UBR320) (Modified with 4xM3 Deep 3)
	C Type:	2.92mm-Female or 2.4mm-Female
Material	Al	
Size(mm)	A Type:	47.5 x 47.5 x 142.9
	C Type:	47.5 x 62.1 x 166.9
Net Weight(Kg)	A Type:	0.33 Around
	C Type:	0.41 Around

Outline Drawing (Size: mm)

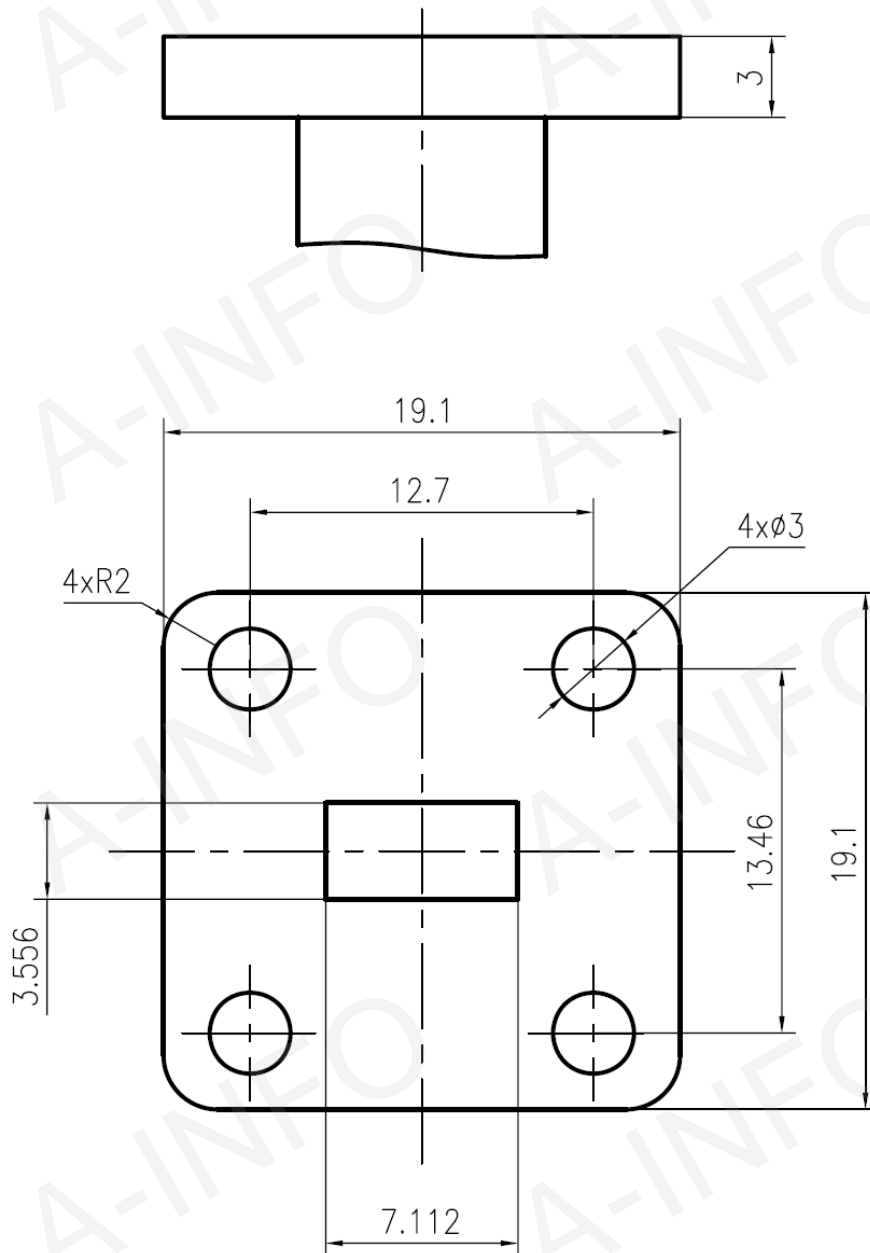
FBP320 Output (P/N: LB-CNH-28-20-T26-A)



2.92mm-Female Output (P/N: LB-CNH-28-20-T26-C-KF)
 For 2.4mm-Female output outline drawing, please contact A-INFO.



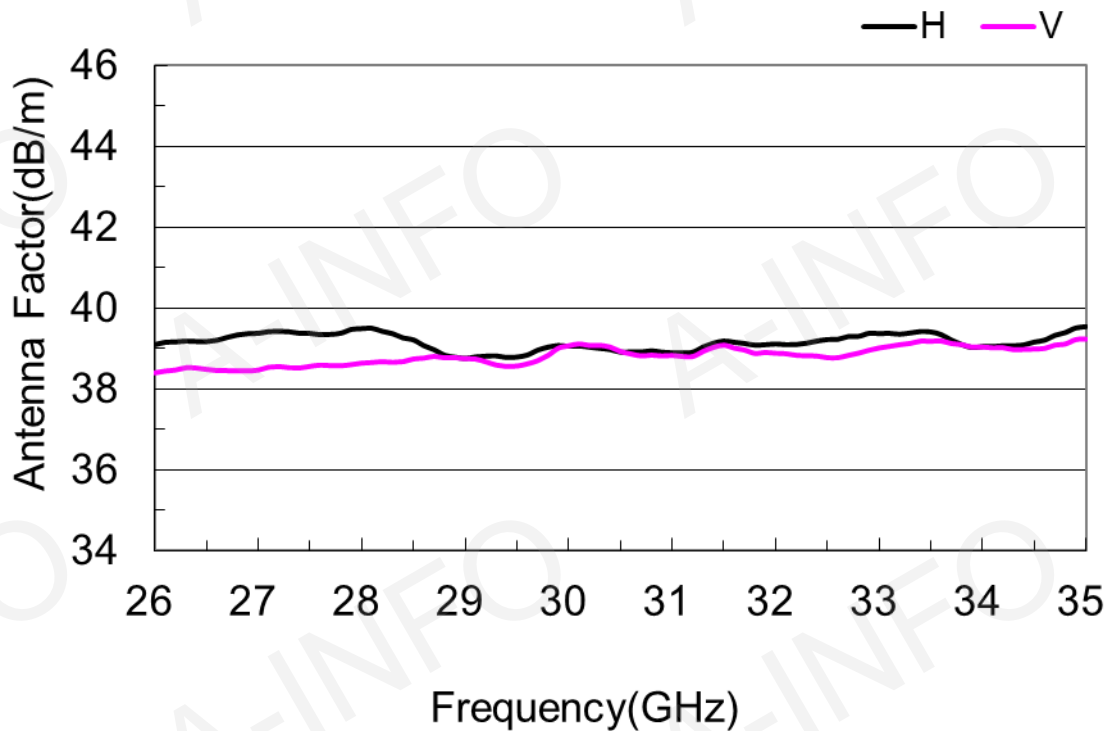
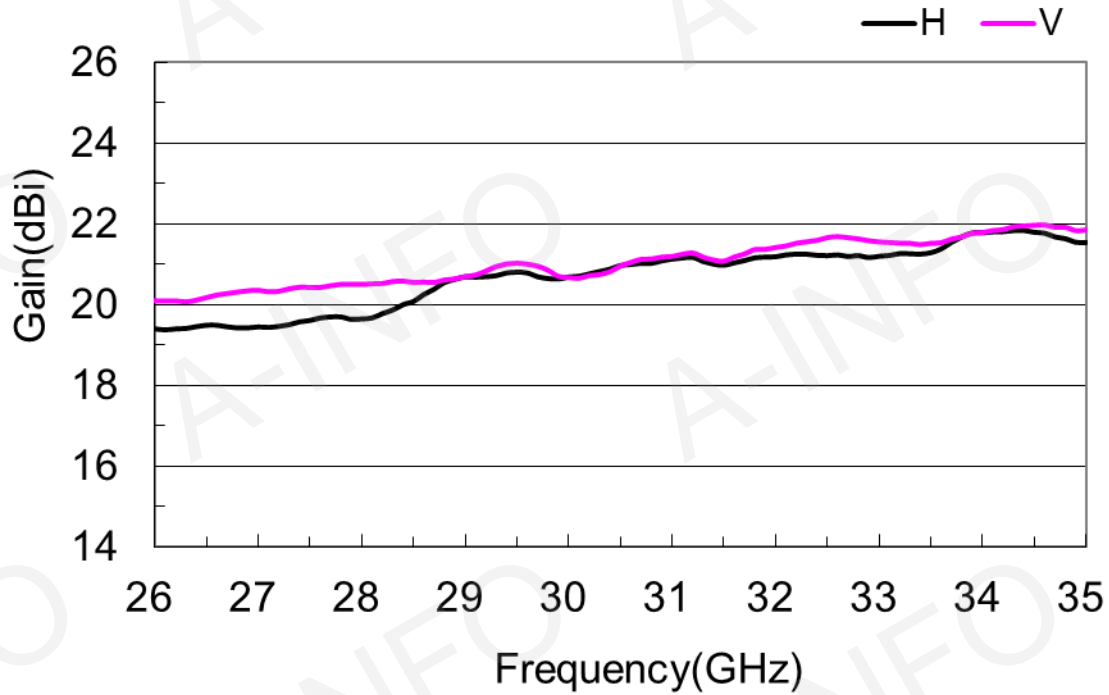
Flange Drawing (Size: mm)



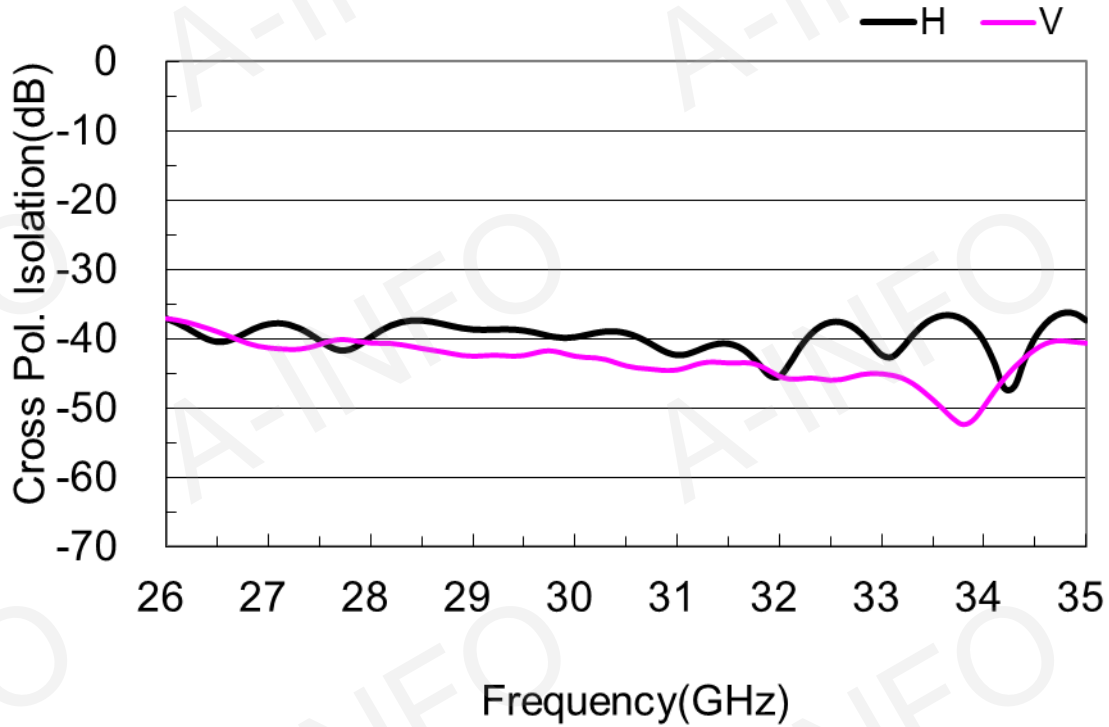
FBP320

Test Results

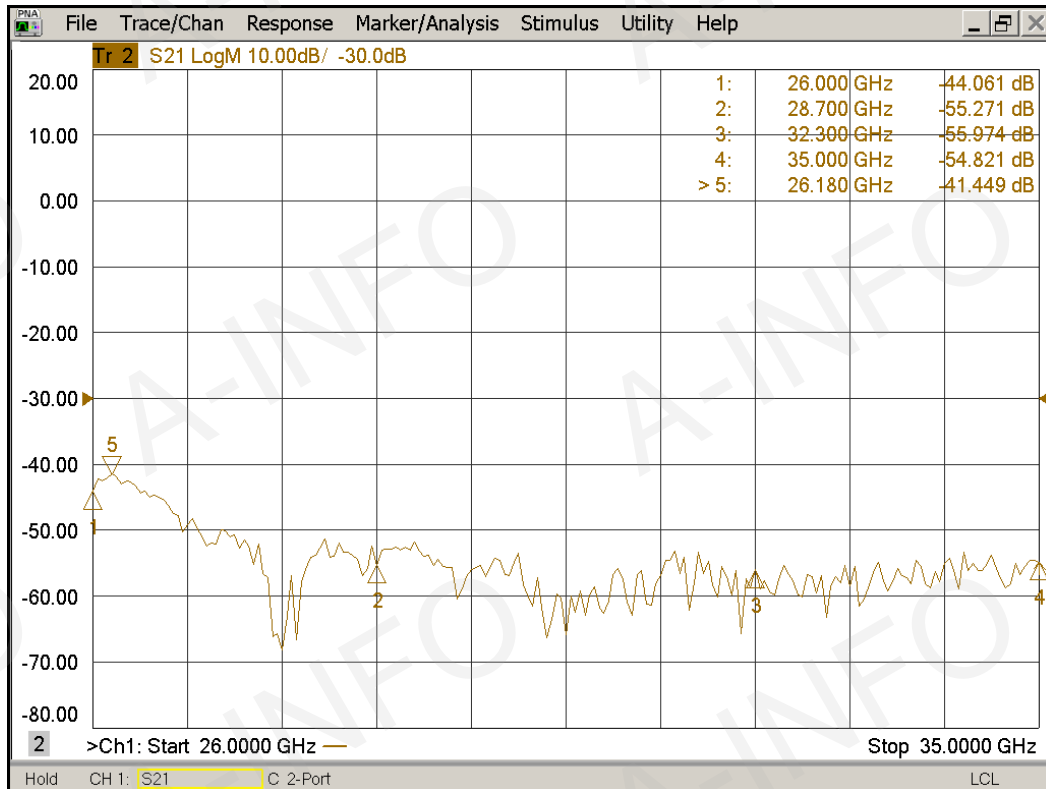
1. Gain & Antenna Factor



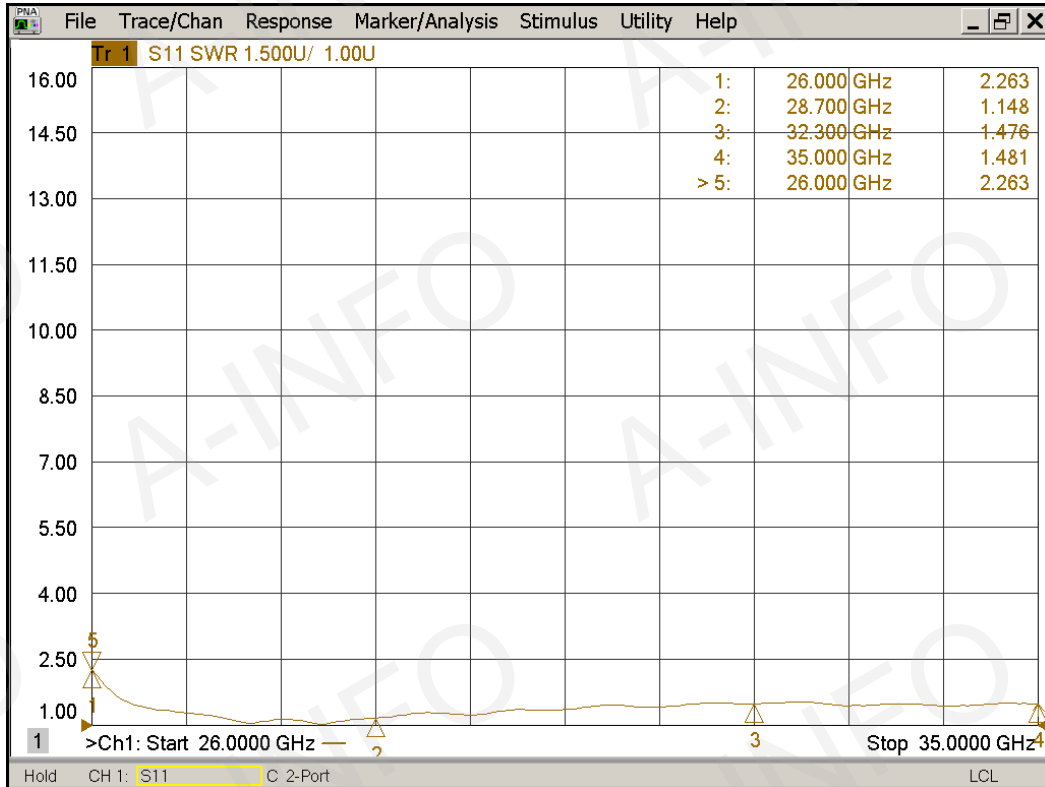
2. Cross Polarization Isolation



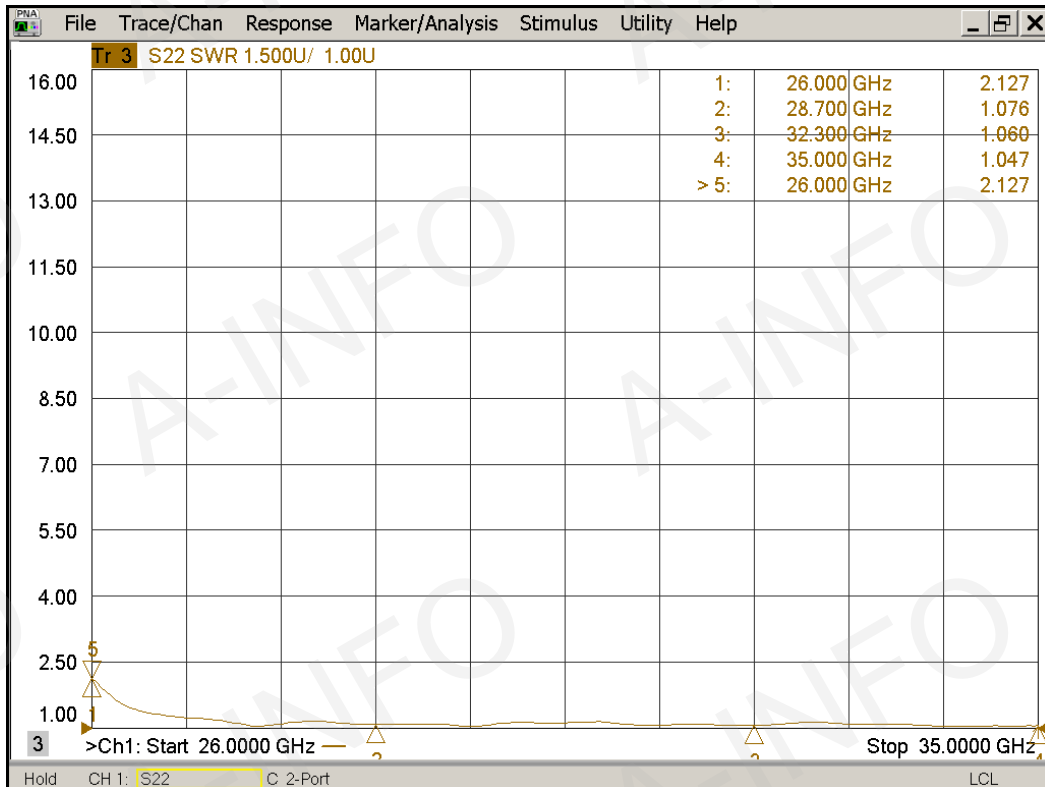
3. Port to Port Isolation



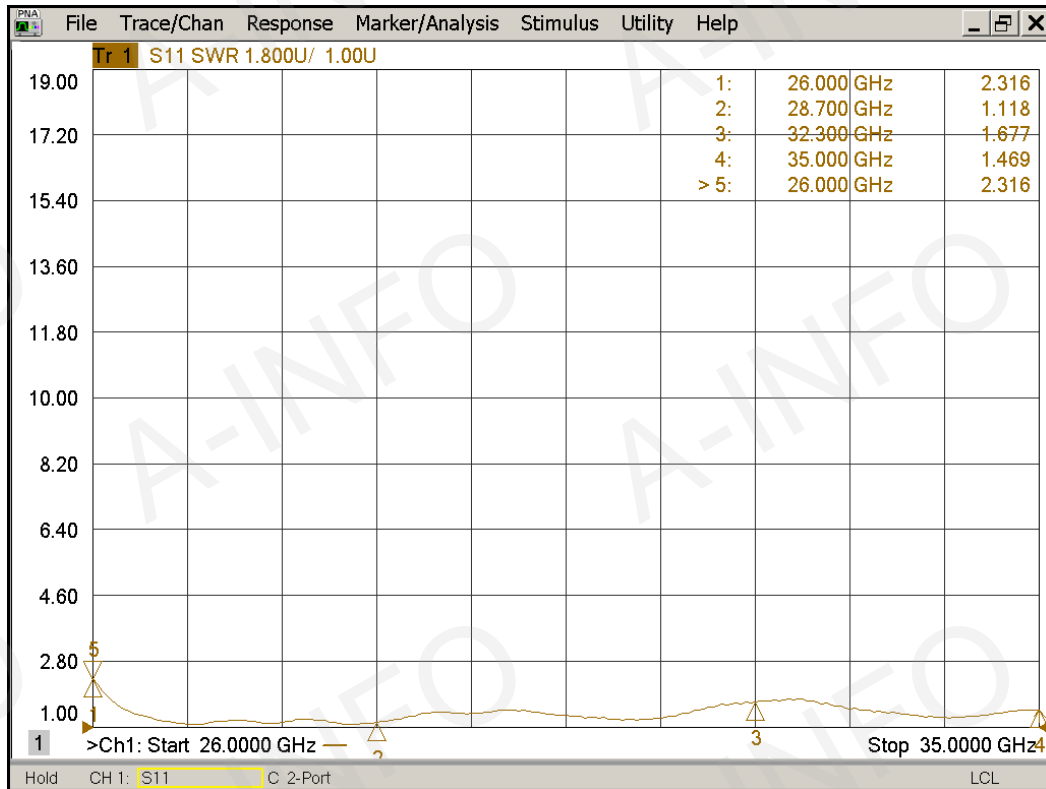
4. VSWR_A Type Port-H



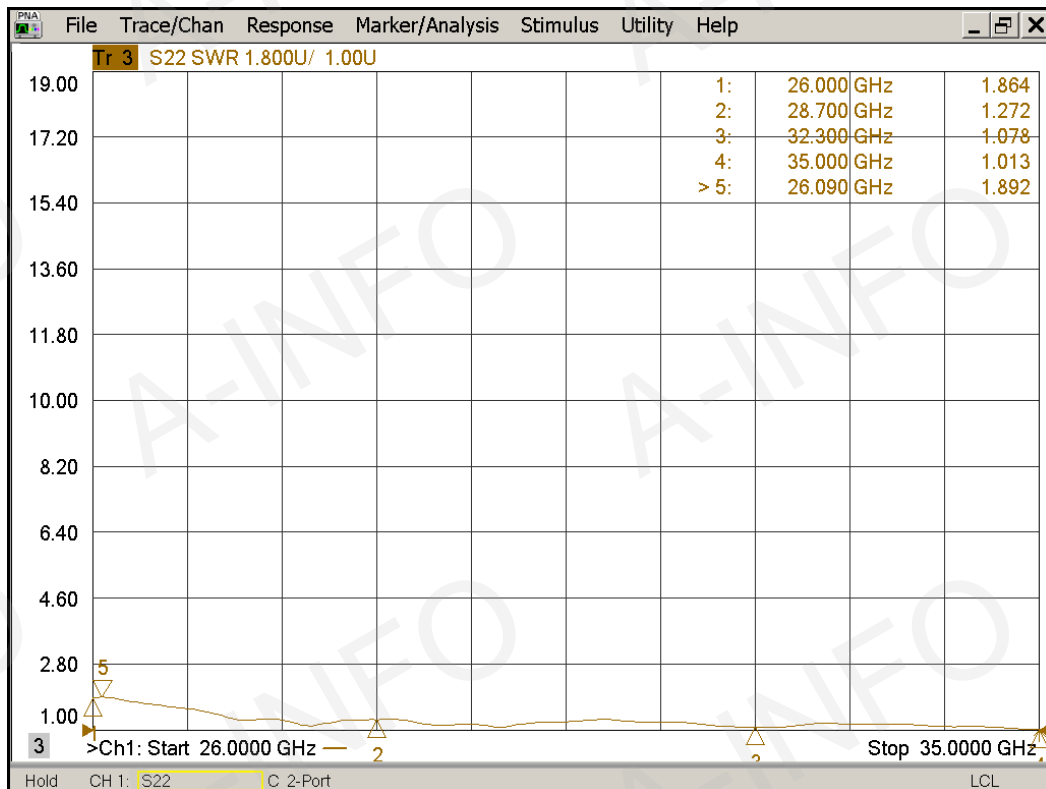
Port-V



VSWR_C Type
Port-H



Port-V



5. Pattern

