

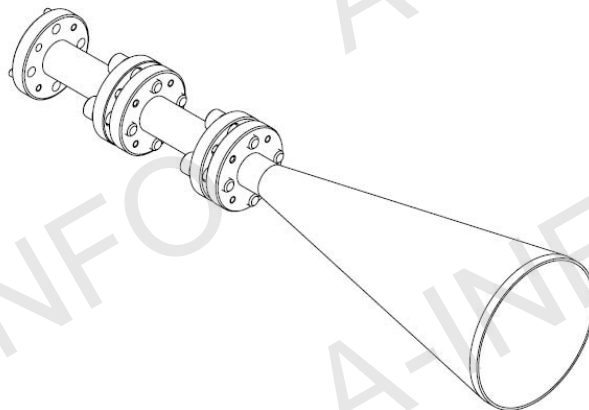
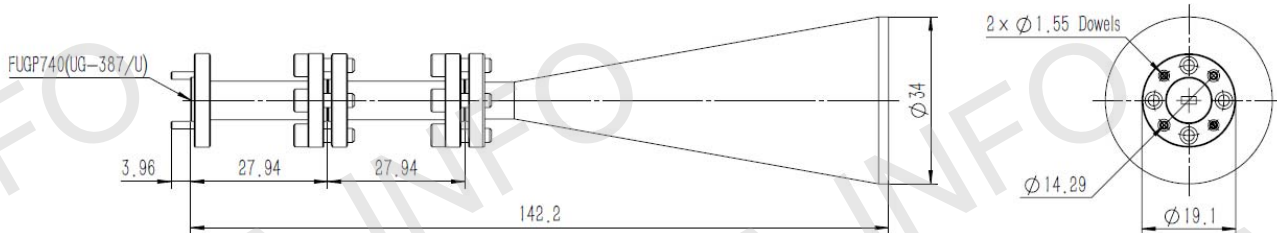
## Technical Specification



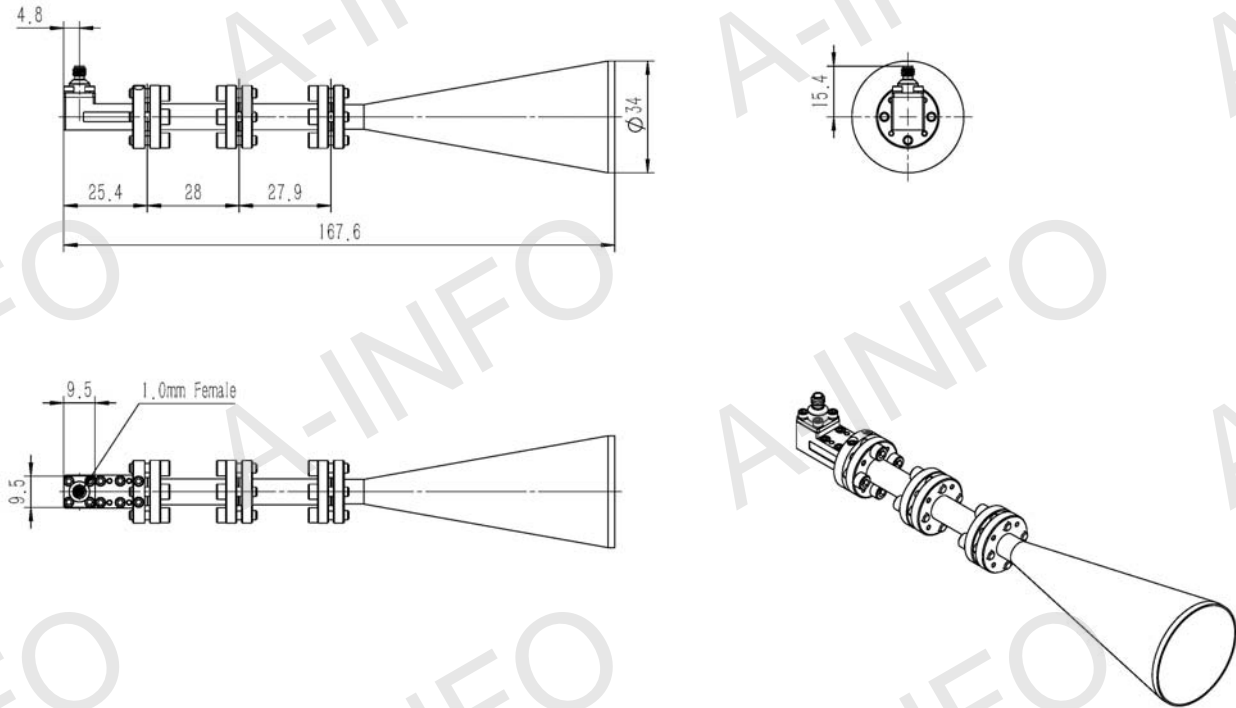
Frequency Range(GHz)	64.0 - 86.0	
Waveguide	WR12	
Gain(dBic)	25 Typ.	
Polarization	RHCP	
Axial Ratio(dB)	2.0 Typ.	
	3.0 Max.	
3dB Beamwidth(deg)	E Plane:	8.4 Typ.
	H Plane:	8.5 Typ.
VSWR	A Type:	1.15:1 Max.
	C Type:	1.80:1 Max.
Output	A Type:	FUGP740(UG-387/U)
	C Type:	1.0mm-Female
Material	Cu	
Size(mm)	A Type:	34 x 34 x 142.2
	C Type:	34 x 34 x 167.6
Net Weight(Kg)	A Type:	0.10 Around
	C Type:	0.13 Around

## Outline Drawing (Size: mm)

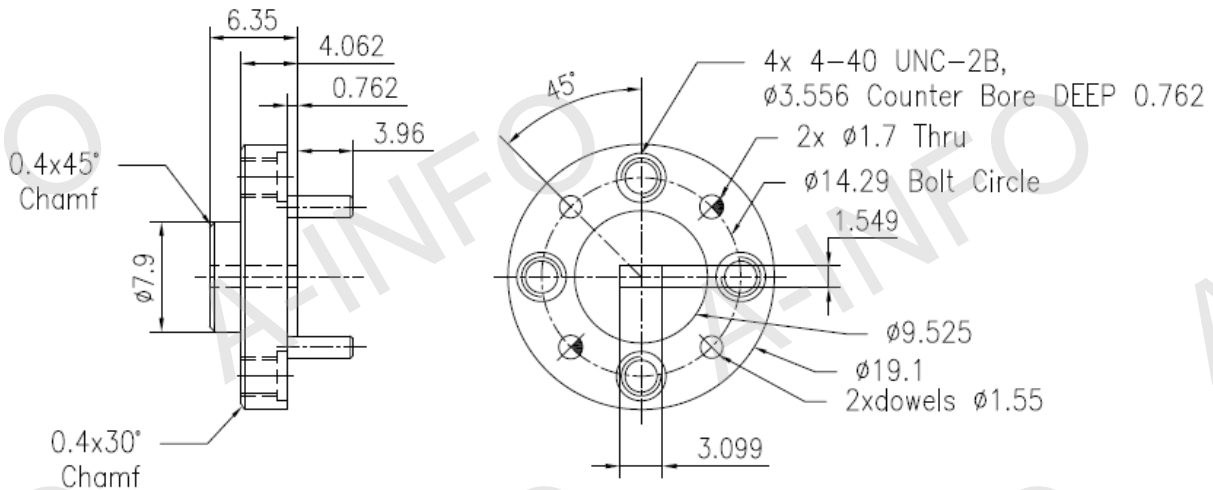
A Type (With FUGP740 Output)



C Type (With 1.0mm-Female Output)



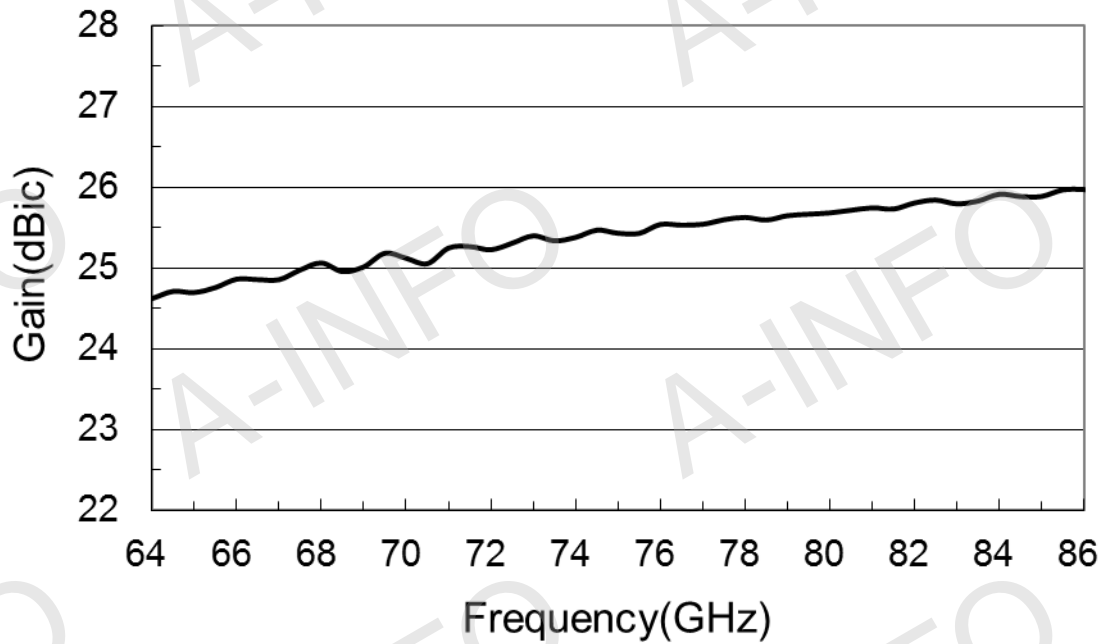
**Flange Drawing (Size: mm)**



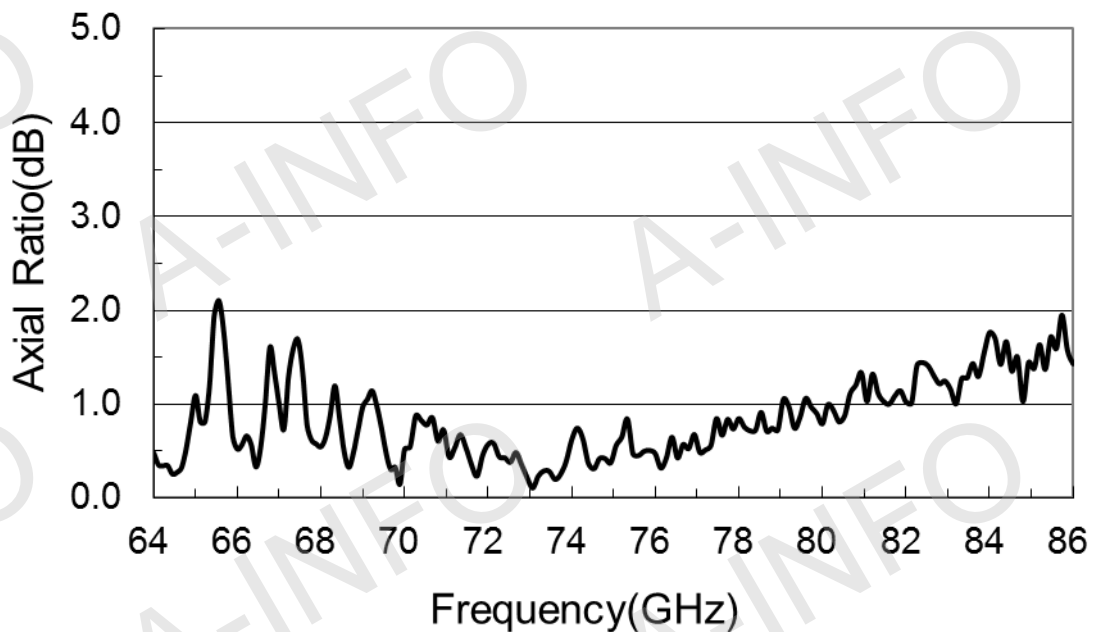
FUGP740  
(equivalent to UG-387/U)

## Test Results

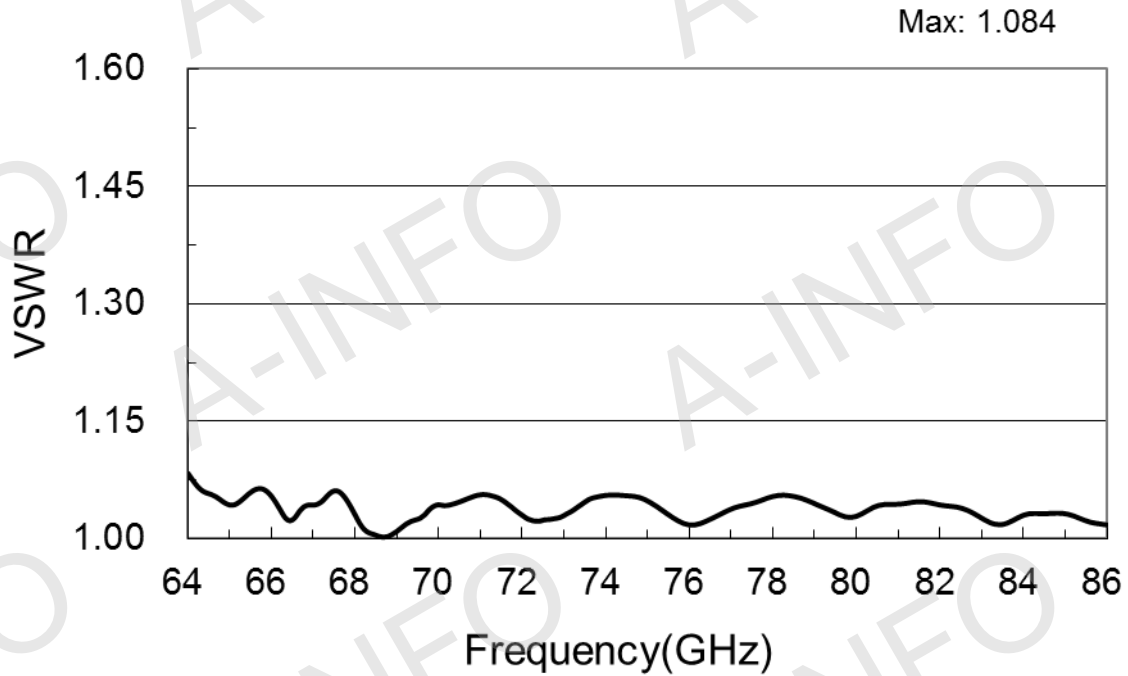
### 1. Gain



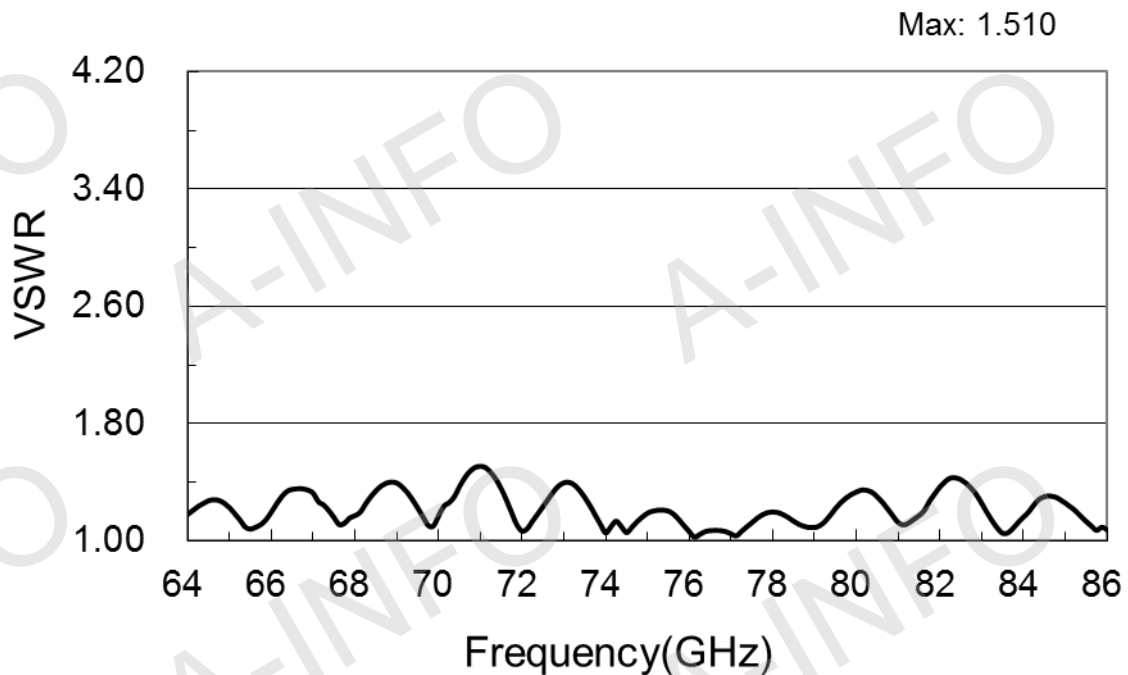
### 2. Axial Ratio



### 3. VSWR\_A Type



### VSWR\_C Type



## 4. Pattern

