

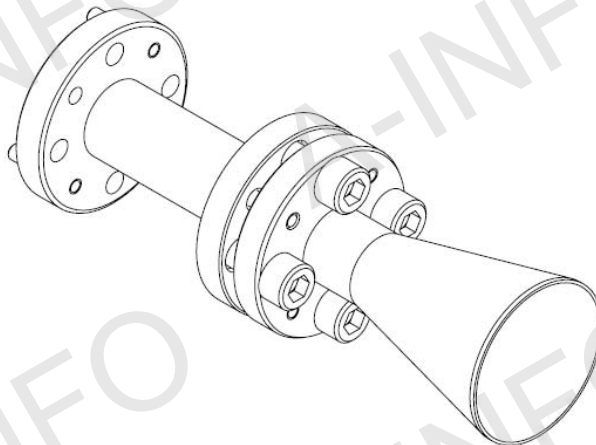
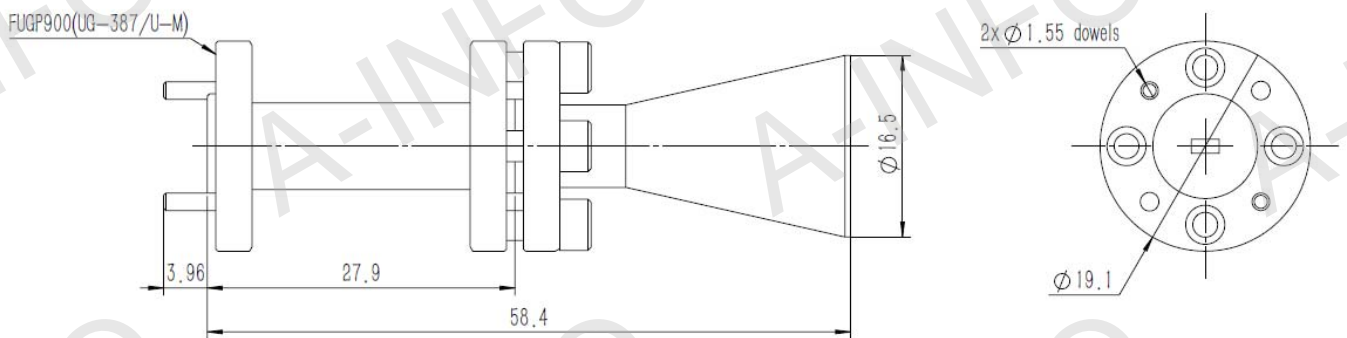
Technical Specification



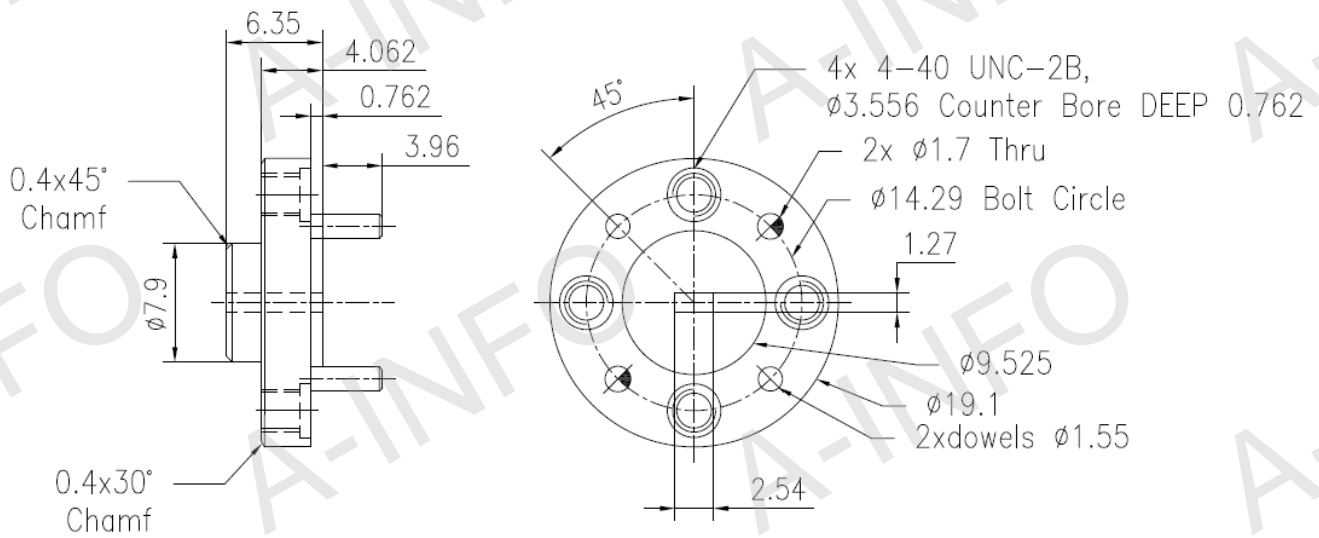
Frequency Range(GHz)	75.0 - 110.0
Waveguide	WR10
Gain(dBi)	20 Typ.
Polarization	Linear
3dB Beamwidth(deg)	E Plane: 14 Typ.
	H Plane: 16 Typ.
Cross Pol. Isolation(dB)	35 Typ.
VSWR	1.25:1 Max.
Output	FUGP900(UG-387/U-M)
Material	Cu
Size(mm)	Φ19.1 x 58.4
Net Weight(Kg)	0.03 Around

Outline Drawing (Size: mm)

With FUGP900(UG-387/U-M) Output



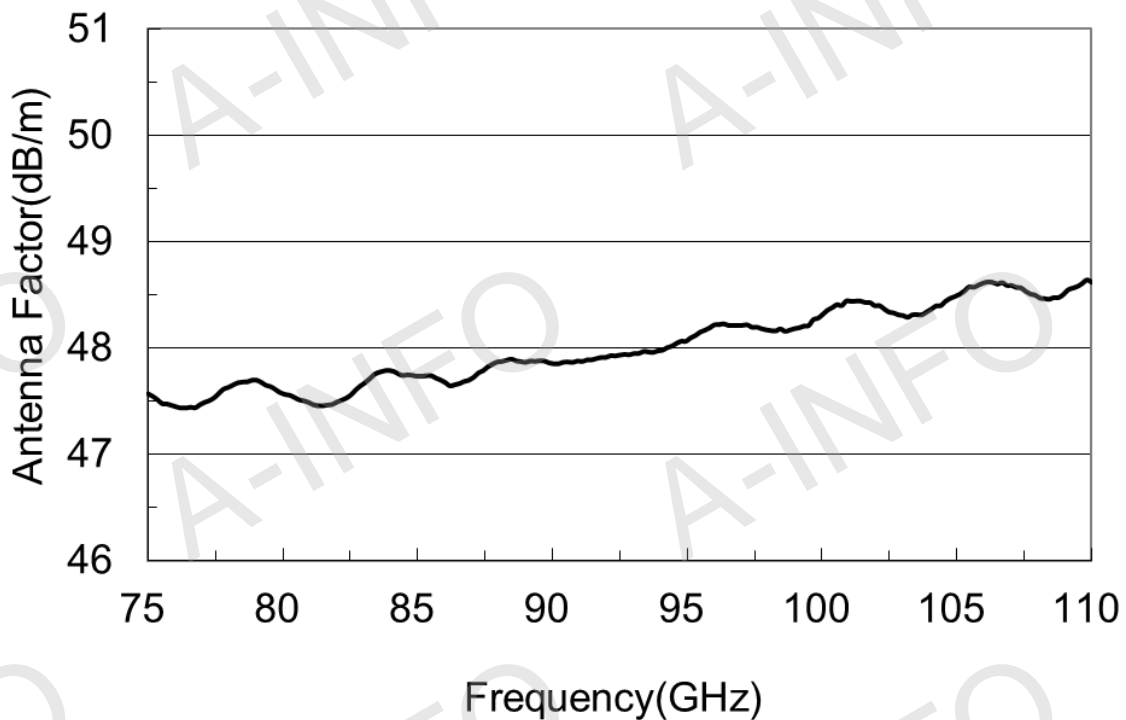
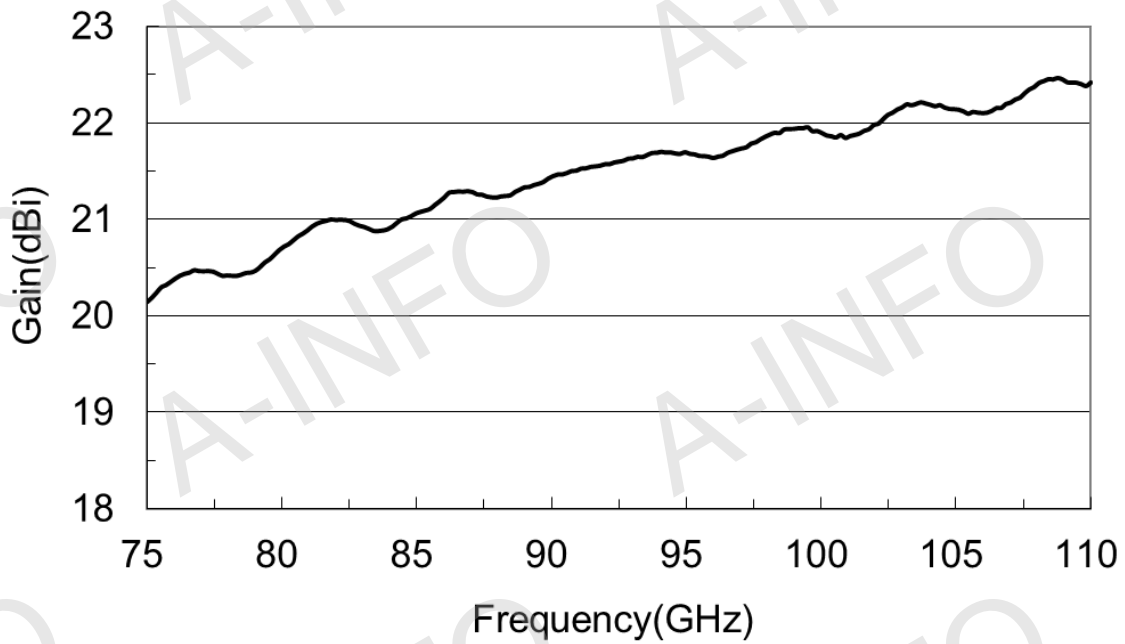
Flange Drawing (Size: mm)



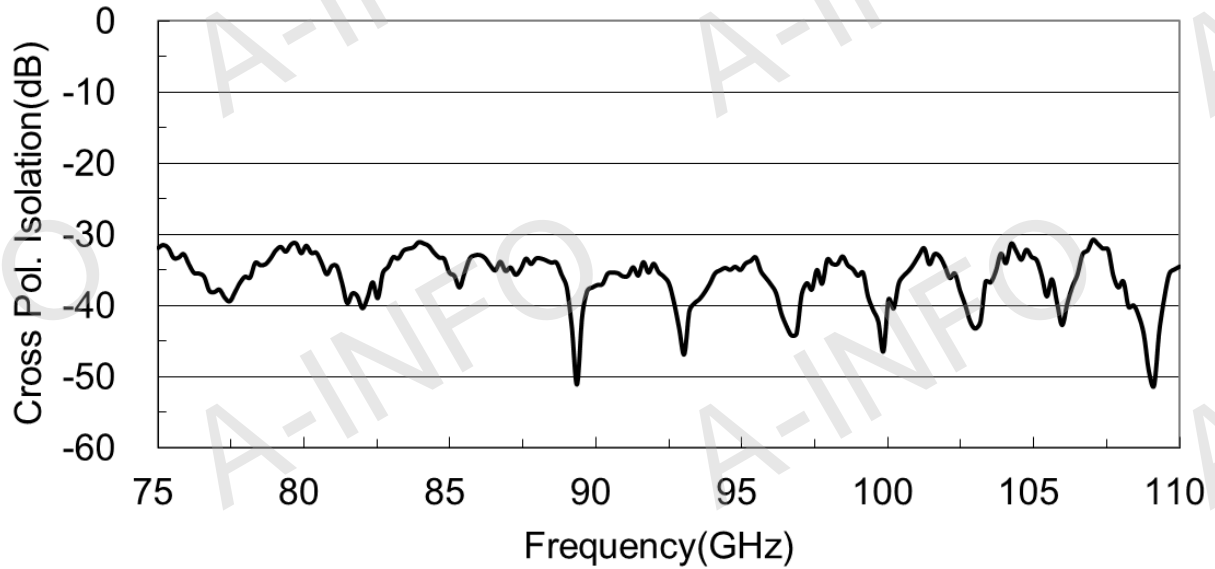
FUGP900
(equivalent to UG-387/U-M)

Test Results

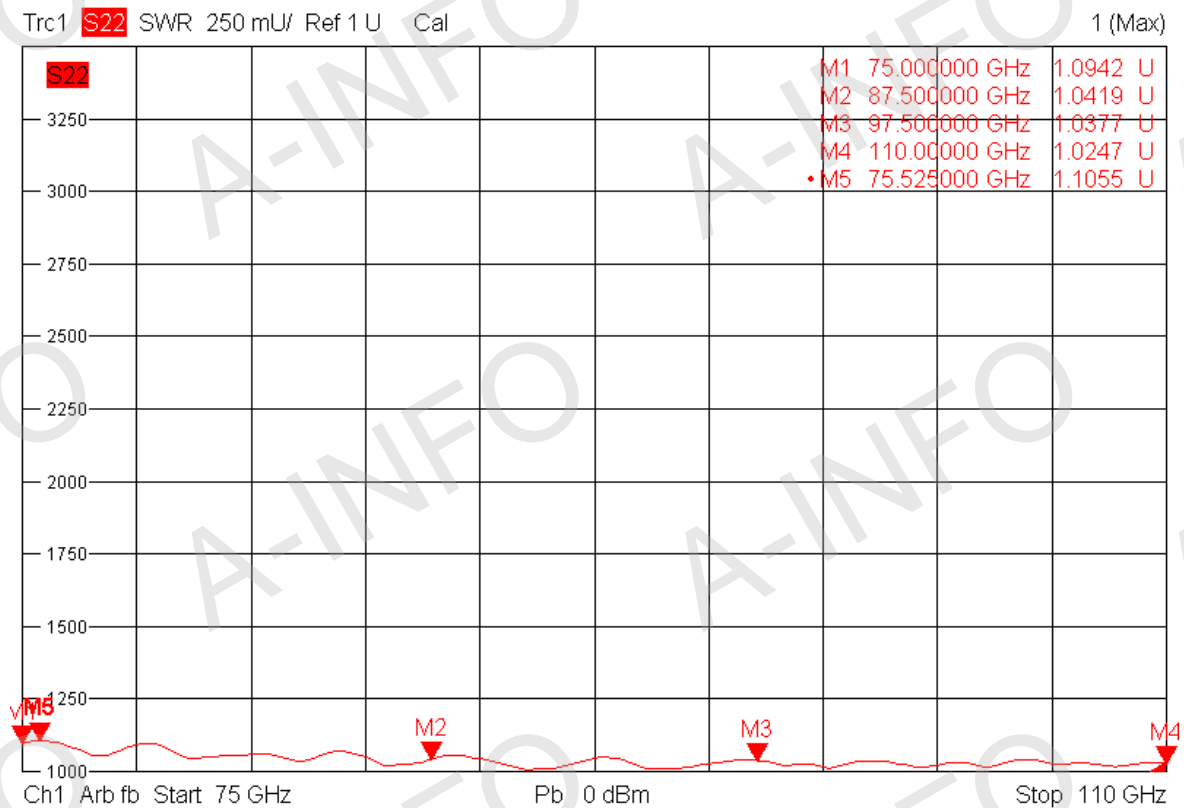
1. Gain and Antenna Factor



2. Cross Polarization Isolation



3. VSWR



4. Pattern

