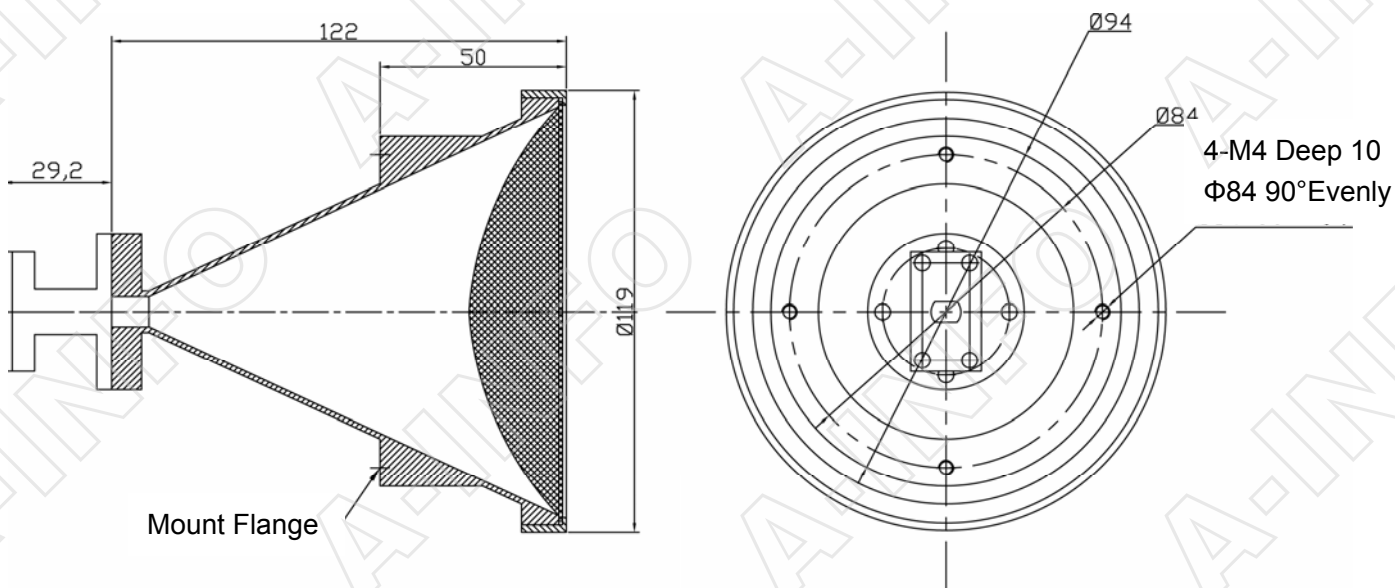


Technical Specification

Frequency Range	Gain(Typ.)	Polarization	VSWR	Size	Net Weight
35.0-35.2GHz	28dB	LHCP	1.30:1	Φ119x151.2mm	0.6Kg Around

Outline Drawing (Size: mm)

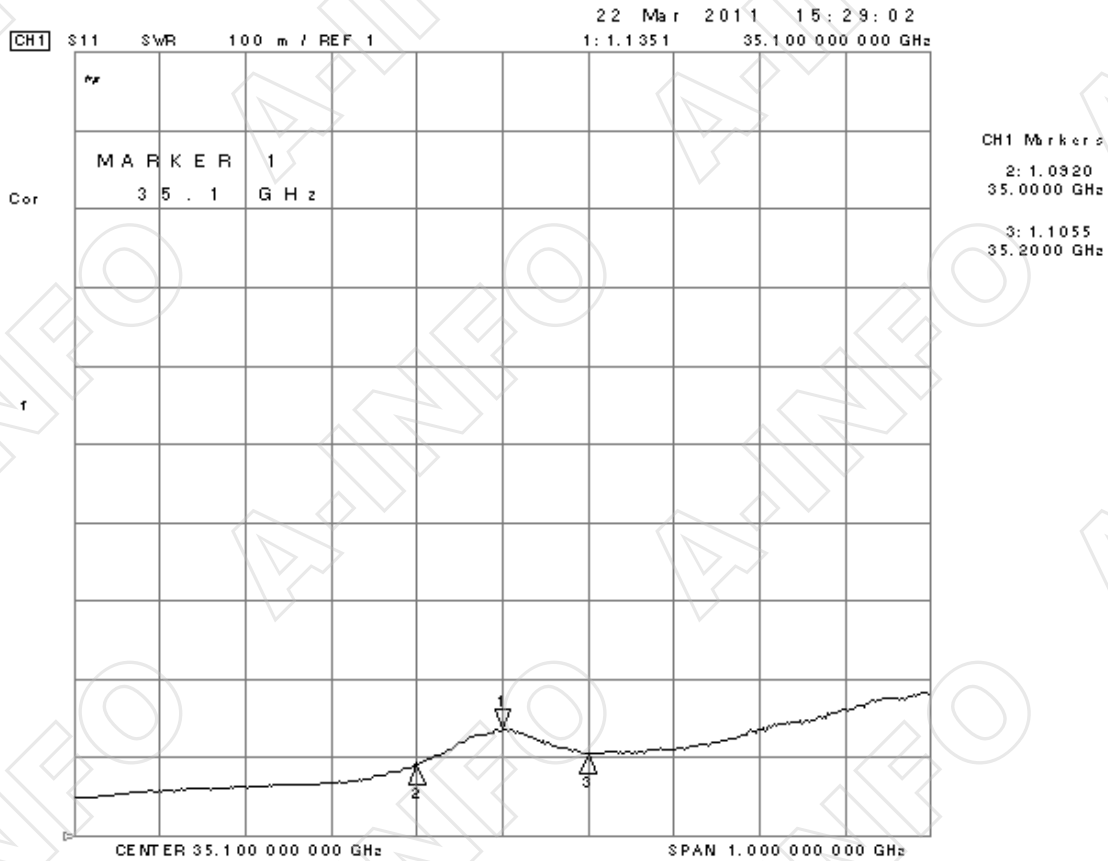


Test Results

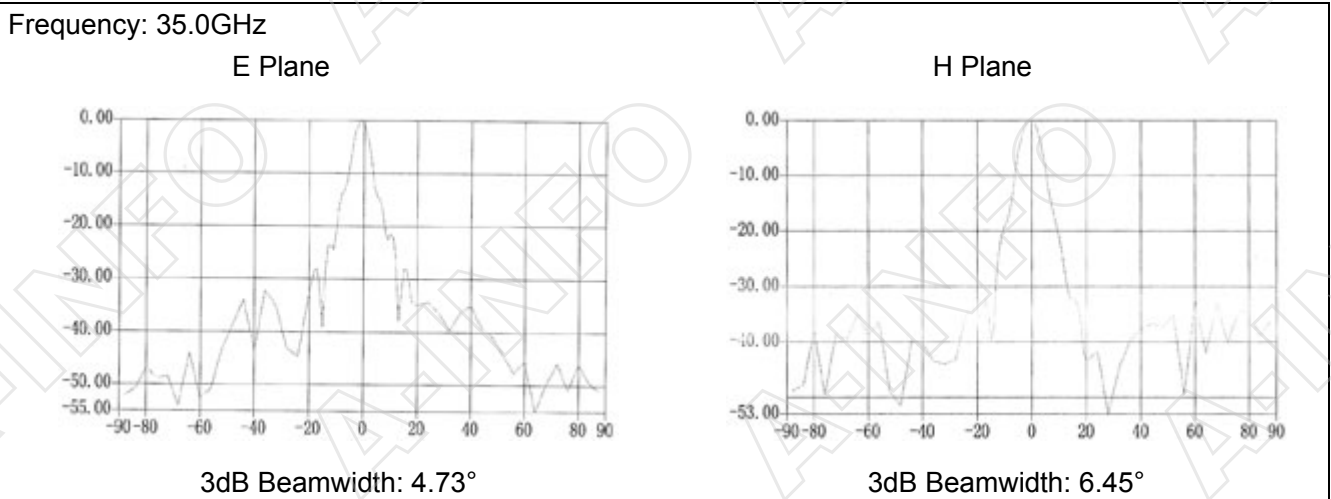
1. Gain

Frequency(GHz)	35.0	35.1	35.2
Gain(dB)	29.01	28.55	29.40

2. VSWR

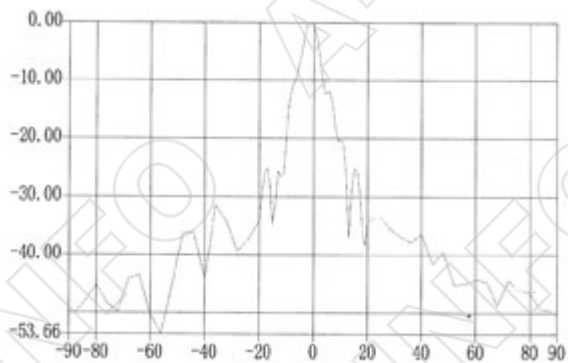


3. Pattern



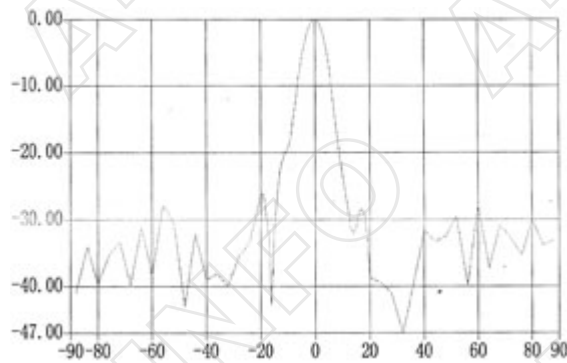
Frequency: 35.1GHz

E Plane



3dB Beamwidth: 4.83°

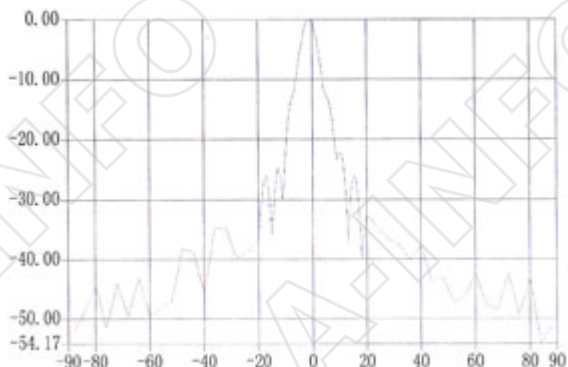
H Plane



3dB Beamwidth: 6.83°

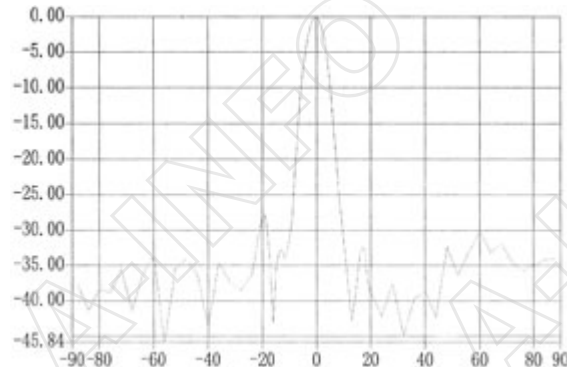
Frequency: 35.2GHz

E Plane



3dB Beamwidth: 4.90°

H Plane



3dB Beamwidth: 6.03°