

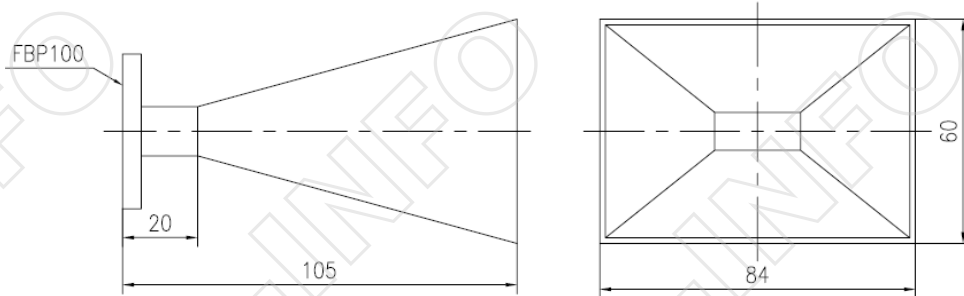
Technical Specification



Frequency Range(GHz)	8.2 - 12.4
Gain(dB)	15 Typ.
3dB Beamwidth(deg)	30 Typ.
Waveguide	WR90
Material	Al
Output	A Type: FBP100 C Type: N/SMA/3.5mm/TNC/7mm
Size(mm) W x H x L	A Type: 84x60x105 C Type: 84x60x143
Net Weight(Kg)	A Type: 0.1 Around C Type: 0.15 Around

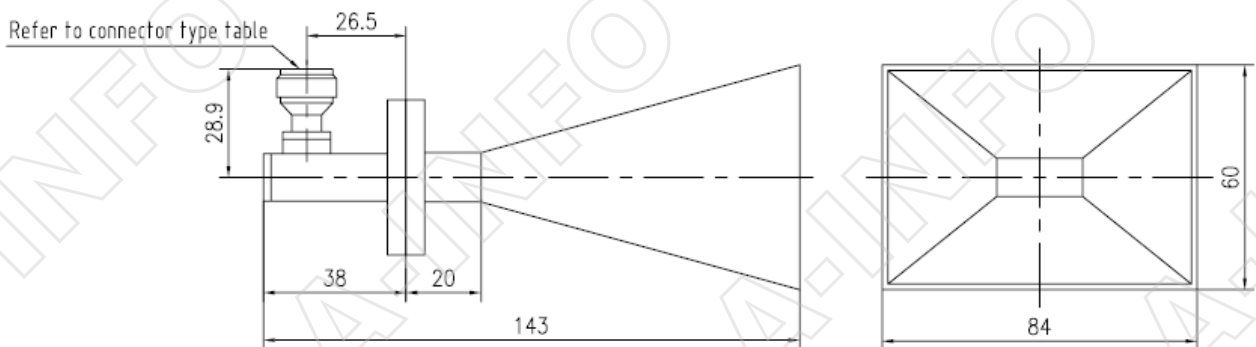
Outline Drawing (Size: mm)

A Type



W x H x L: 84x60x105

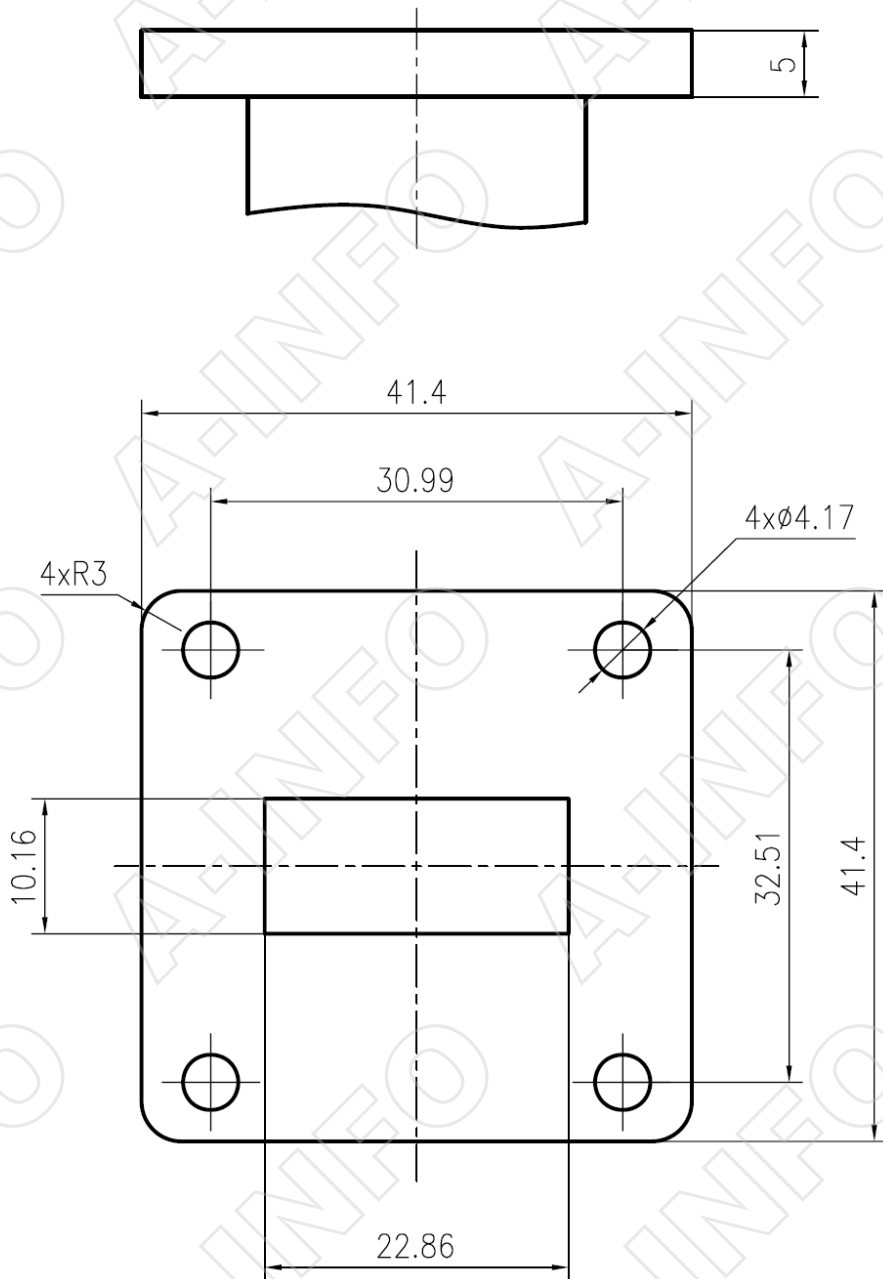
C Type



W x H x L: 84x60x143

Connector type	
1	N type Female / Male
2	SMA Female / Male
3	3.5mm Female / Male
4	TNC Female / Male
5	7mm

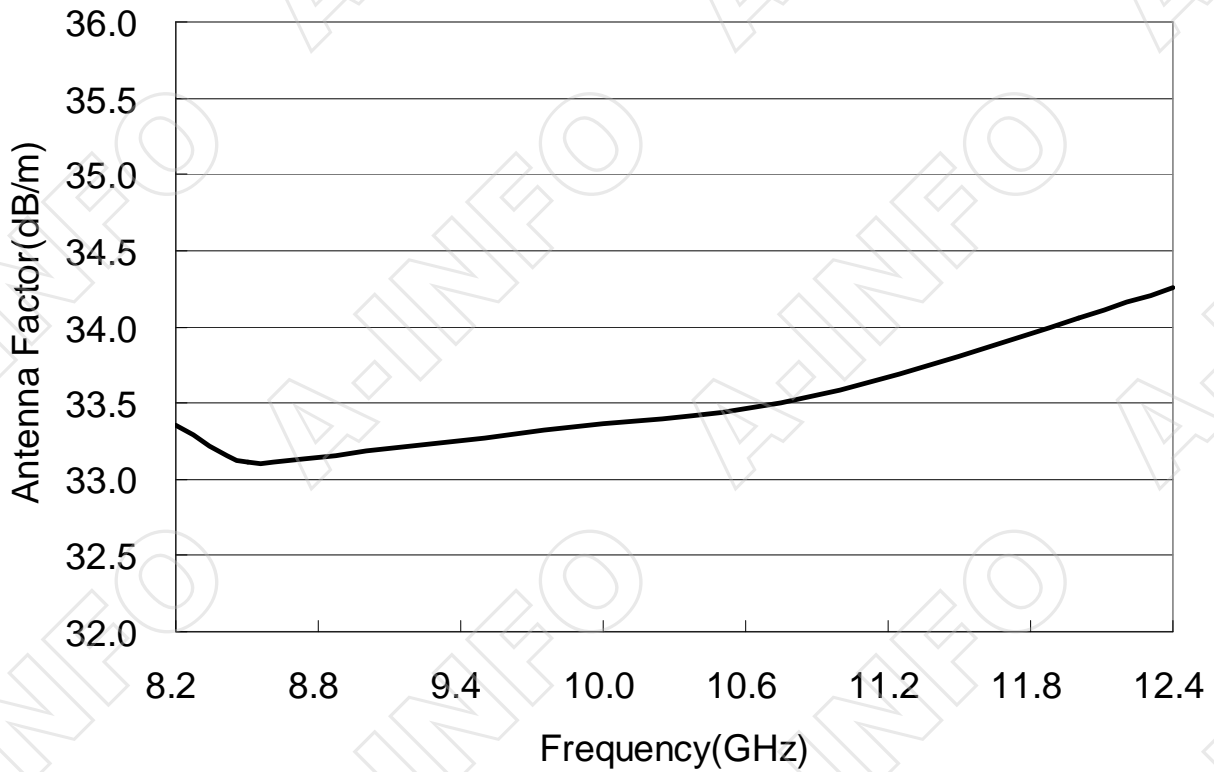
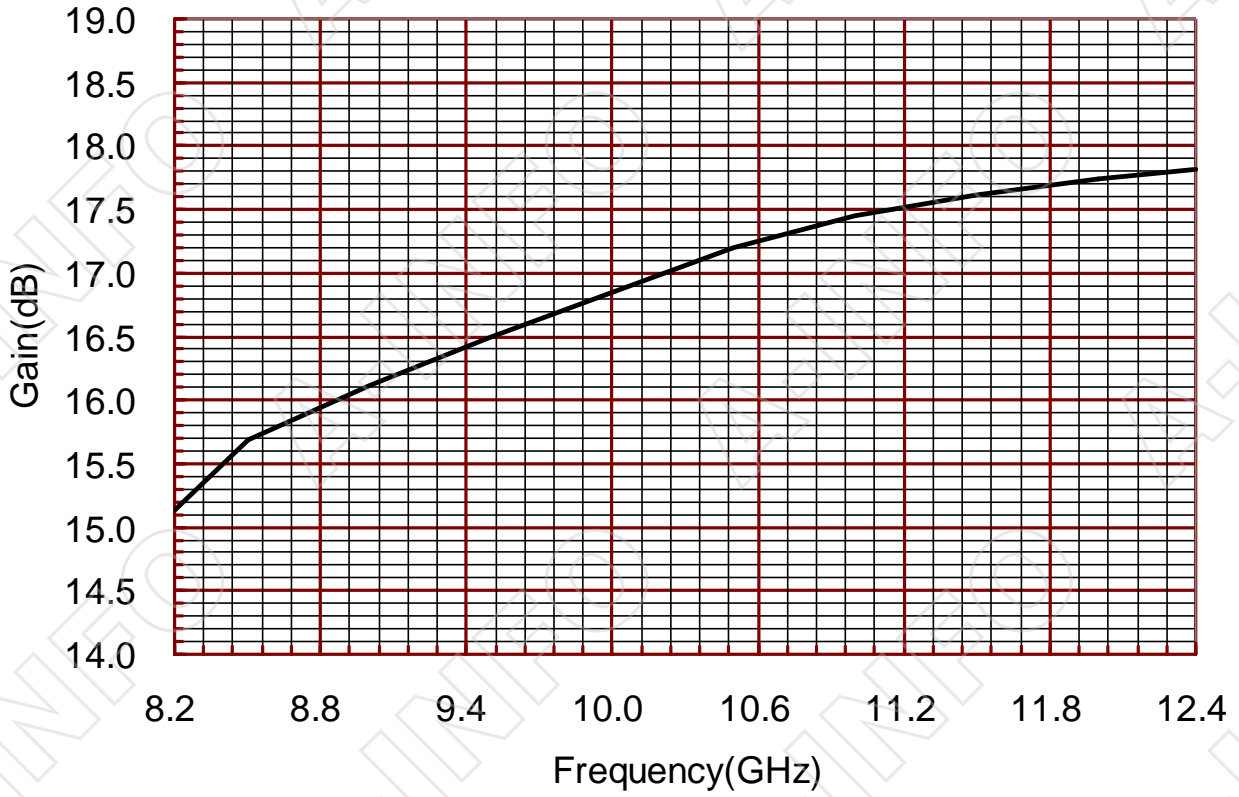
Flange Drawing (Size: mm)



FBP100

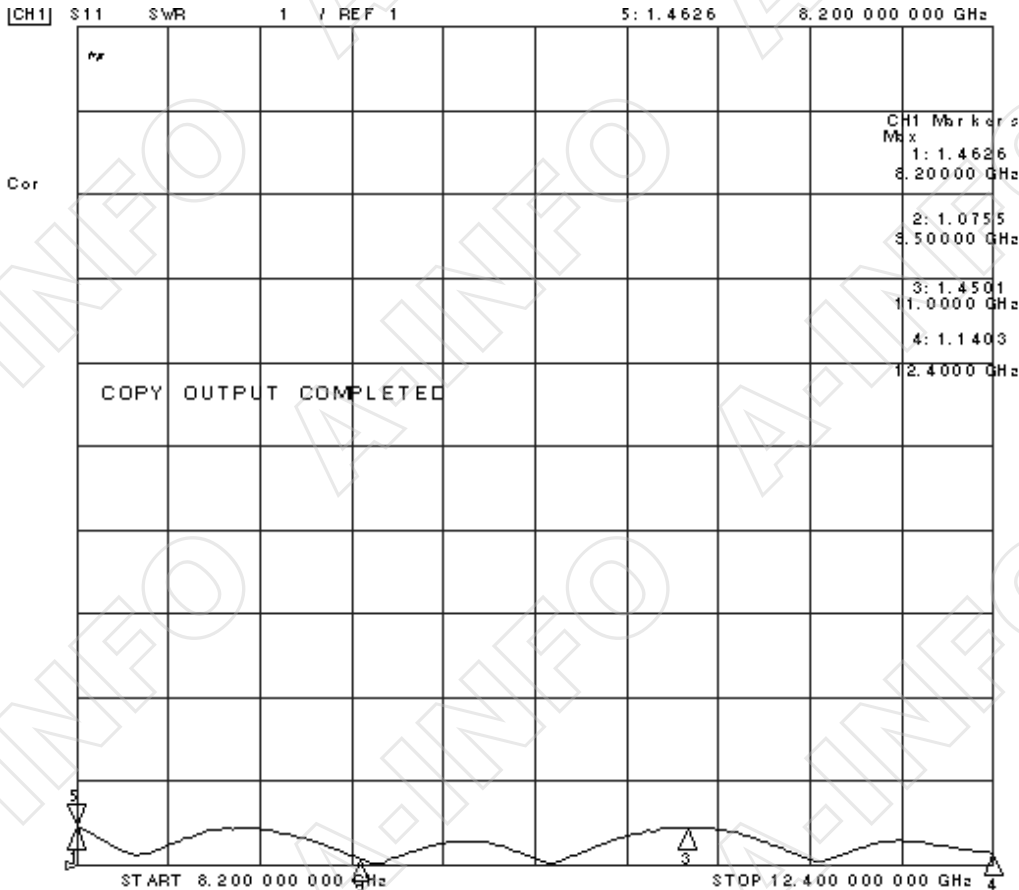
Test Results

1. Gain and Antenna Factor

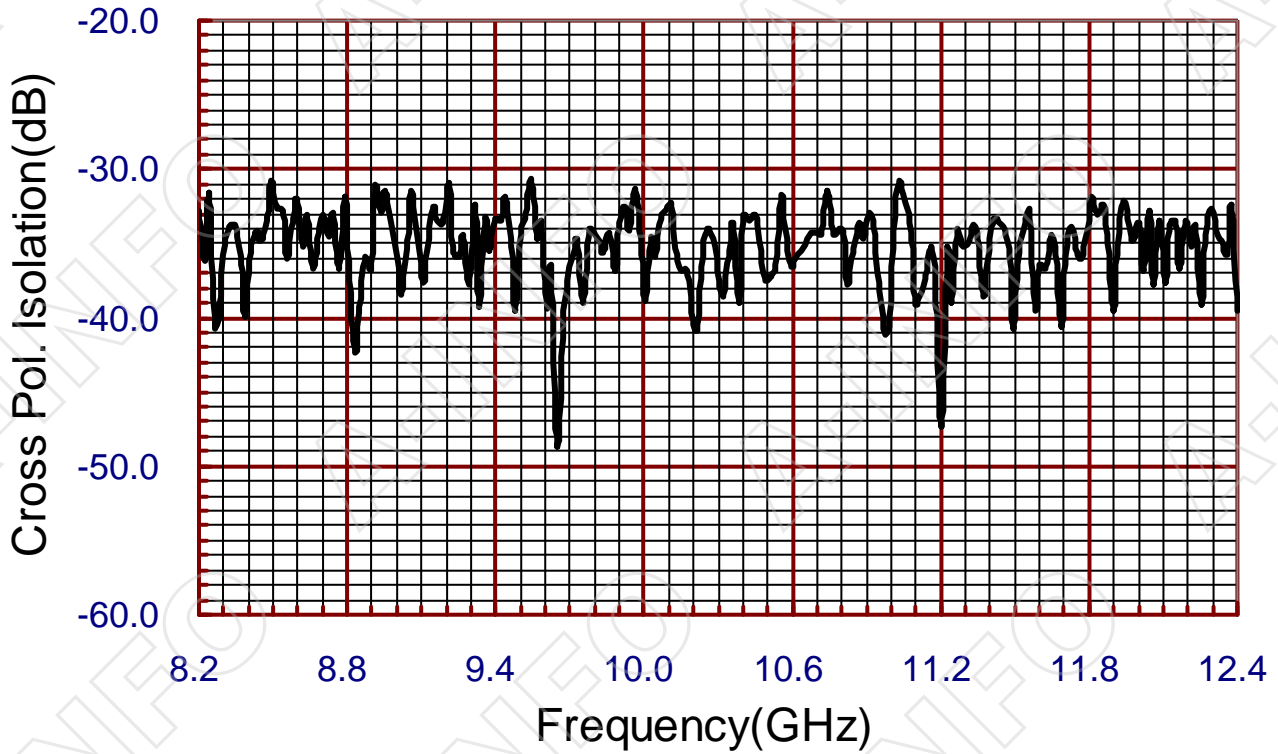


频率(GHz)	增益(dB)	天线系数(dB/m)
8.2	15.13	33.36
8.5	15.69	33.11
9.0	16.11	33.18
9.5	16.49	33.27
10.0	16.85	33.36
10.5	17.20	33.43
11.0	17.45	33.59
11.5	17.62	33.80
12.0	17.74	34.05
12.4	17.82	34.26

2. VSWR



3. Cross Polarization Isolation



4. Pattern

