

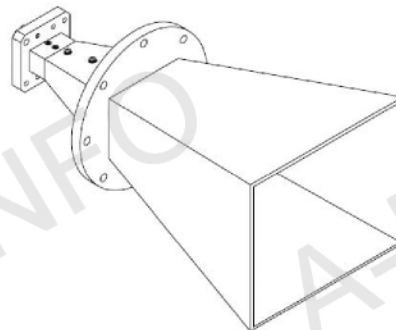
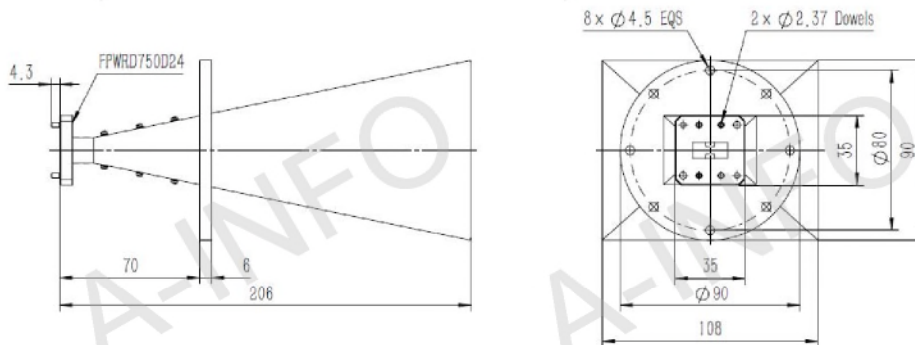
## Technical Specification



Frequency Range(GHz)	7.5 - 18.0
Gain(dBi)	20 Typ.
Polarization	Linear
3dB Beamwidth(deg)	E Plane: 23 - 10
	H Plane: 26 - 11
Cross Pol. Isolation(dB)	30 Typ.
VSWR	1.5:1 Typ.
Output	A Type: FPWRD750D24
	C Type: SMA-Female or N-Female or High Power N-Female
Power Handling(W)	SMA-F: 50 Max. CW
	N-F: 150 Max. CW
	HP N-F: 500 Max. CW
Material	Al
Size(mm)	A Type: 108 x 90 x 206
	C Type: 108 x 90 x 237.7
Net Weight(Kg)	A Type: 0.35 Around
	C Type: 0.50 Around

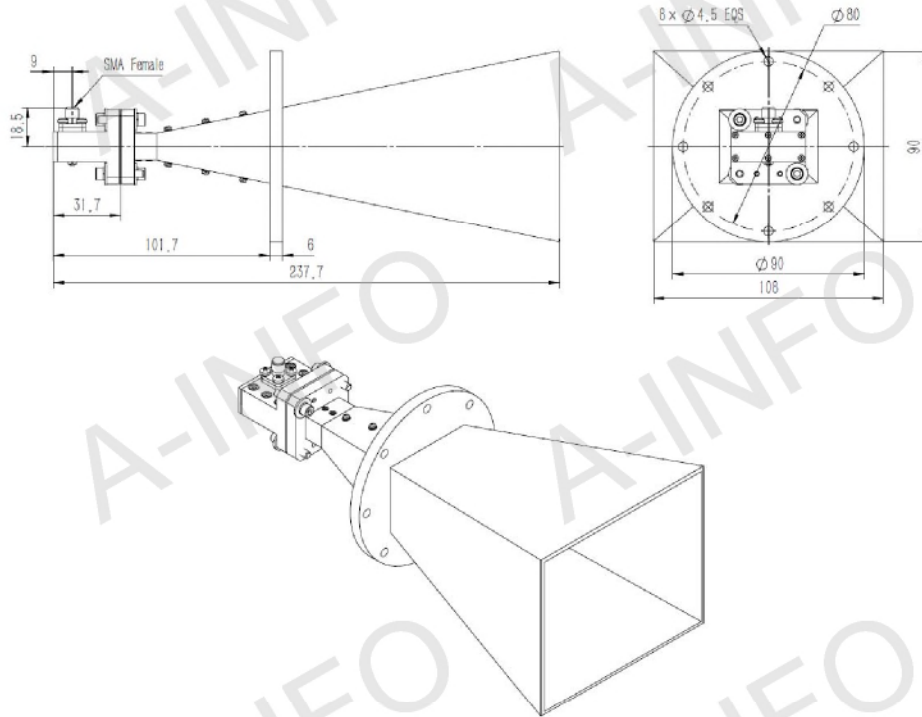
## Outline Drawing (Size: mm)

A Type(With FPWRD750D24 Output)



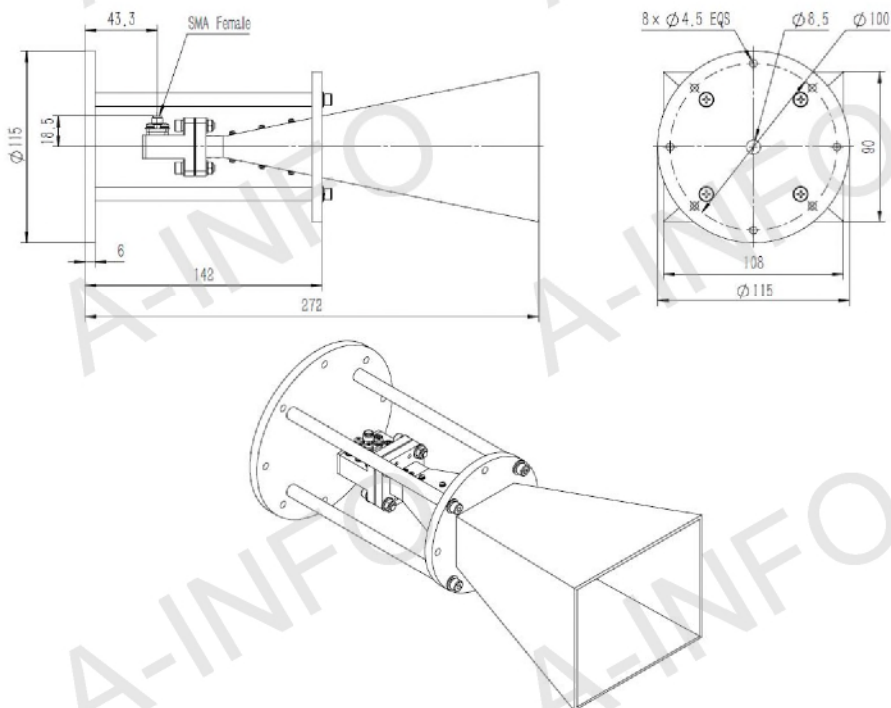
## C Type (With SMA-Female Output)

For N-Female or High Power N-Female output outline drawing, please contact A-INFO.



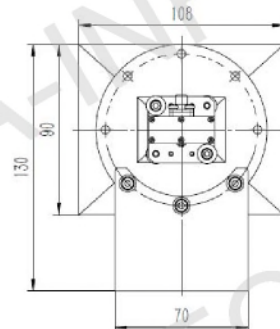
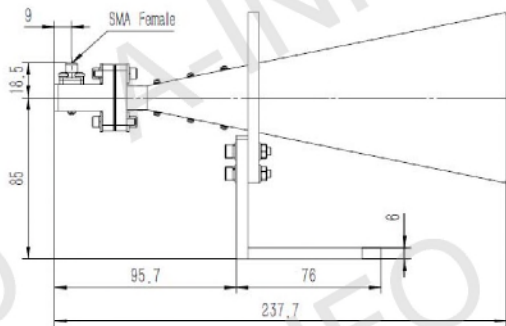
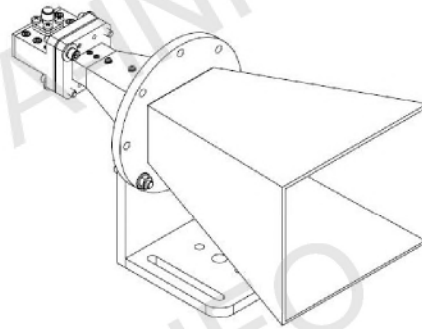
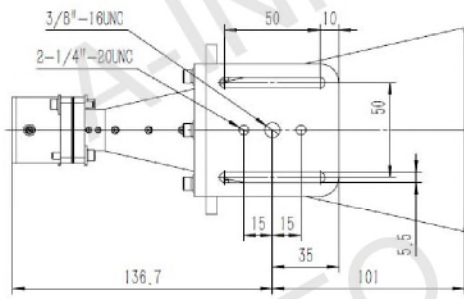
## C Type (With SMA-Female Output & Round Mounting Bracket)

For N-Female or High Power N-Female output outline drawing, please contact A-INFO.

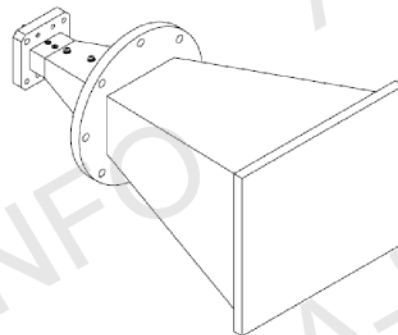
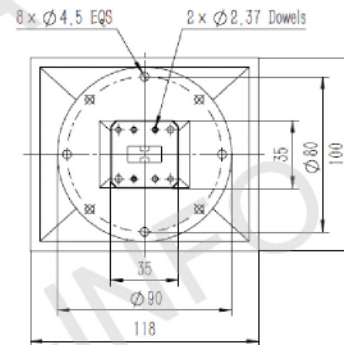
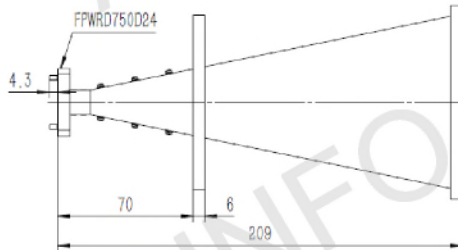


## C Type (With SMA-Female Output & L Type Mounting Bracket)

For N-Female or High Power N-Female output outline drawing, please contact A-INFO.

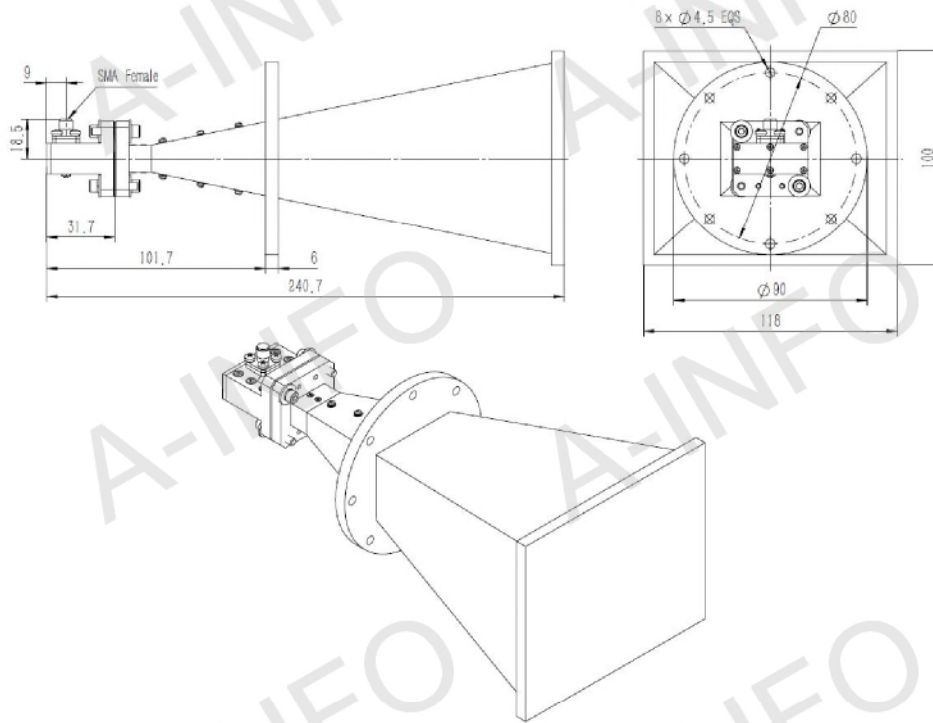


## A Type (With Radome)



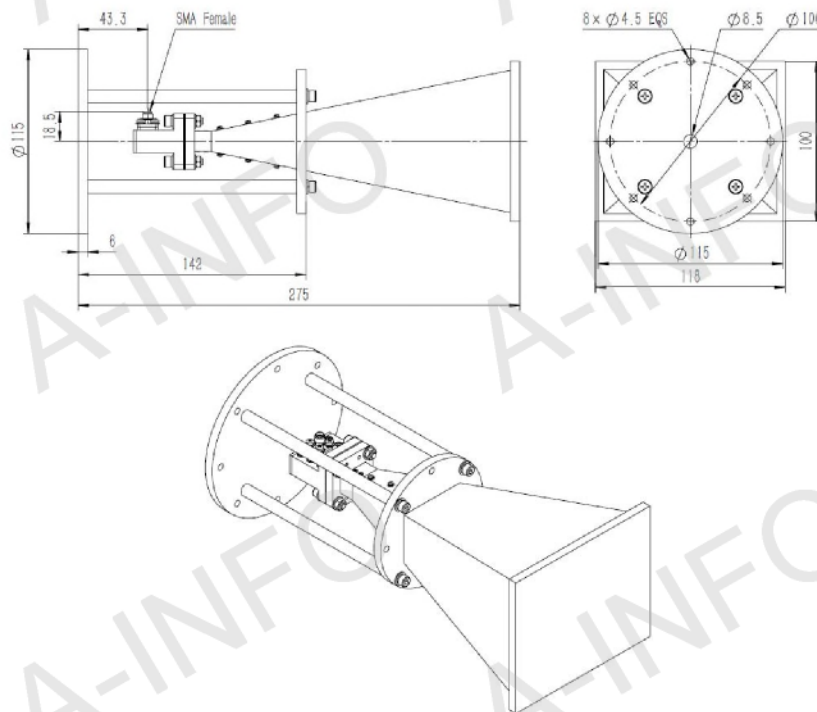
## C Type (With SMA-Female Output & Radome)

For N-Female or High Power N-Female output outline drawing, please contact A-INFO.



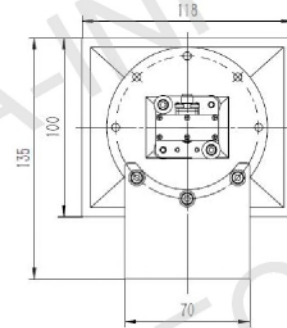
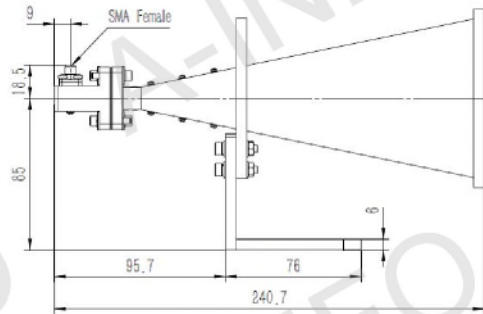
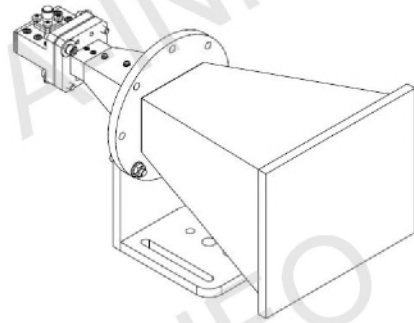
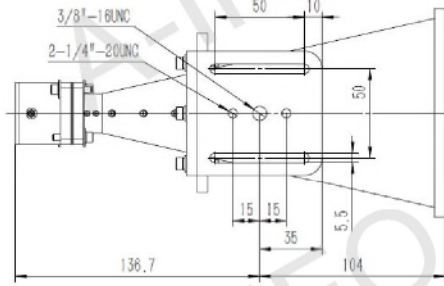
## C Type (With SMA-Female Output & Round Mounting Bracket & Radome)

For N-Female or High Power N-Female output outline drawing, please contact A-INFO.



## C Type (With SMA-Female Output & L Type Mounting Bracket & Radome)

For N-Female or High Power N-Female output outline drawing, please contact A-INFO.

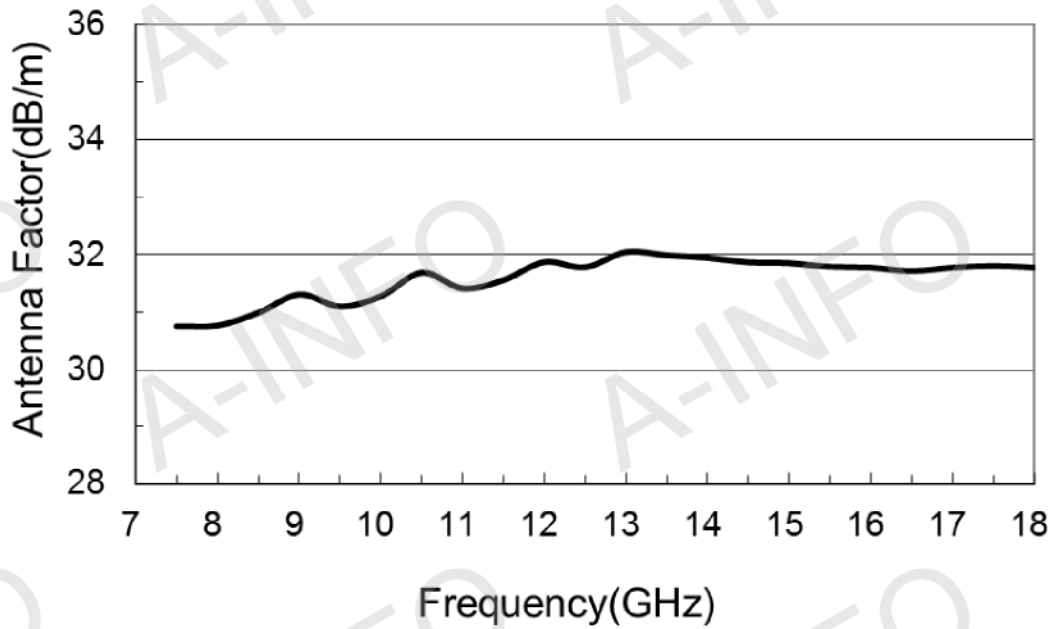
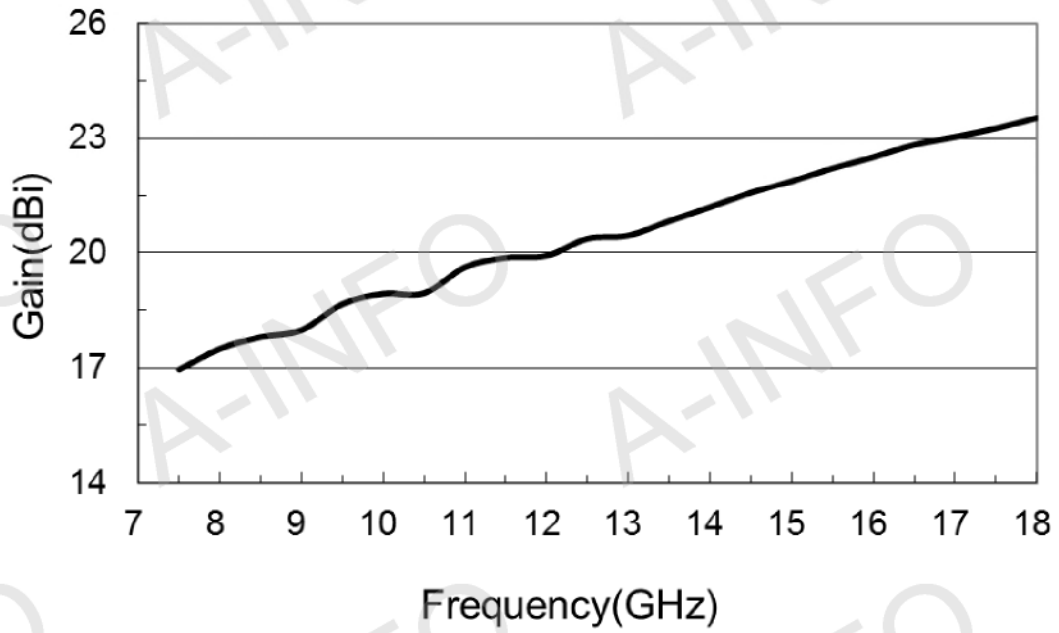




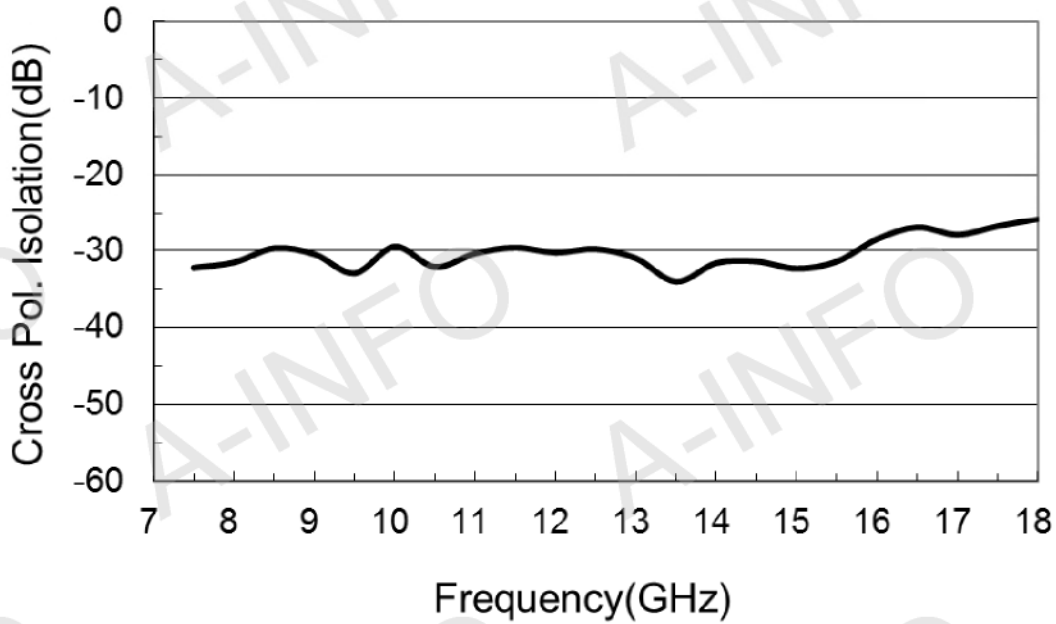


## Test Results

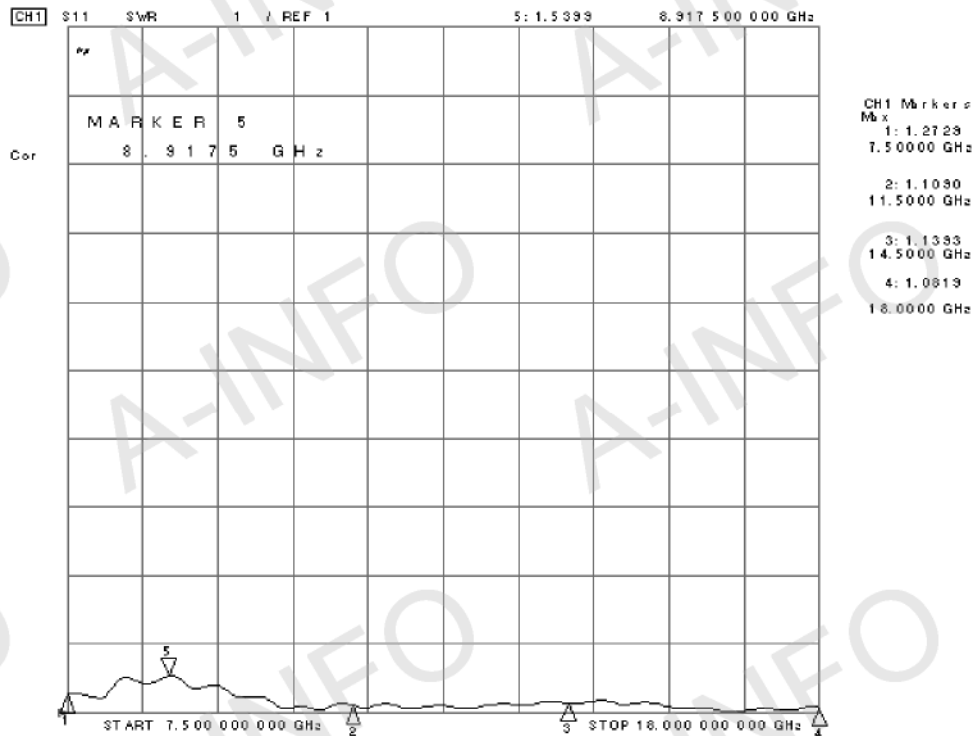
### 1. Gain & Antenna Factor



## 2. Cross Polarization Isolation



## 3. VSWR





## 4. Pattern

