

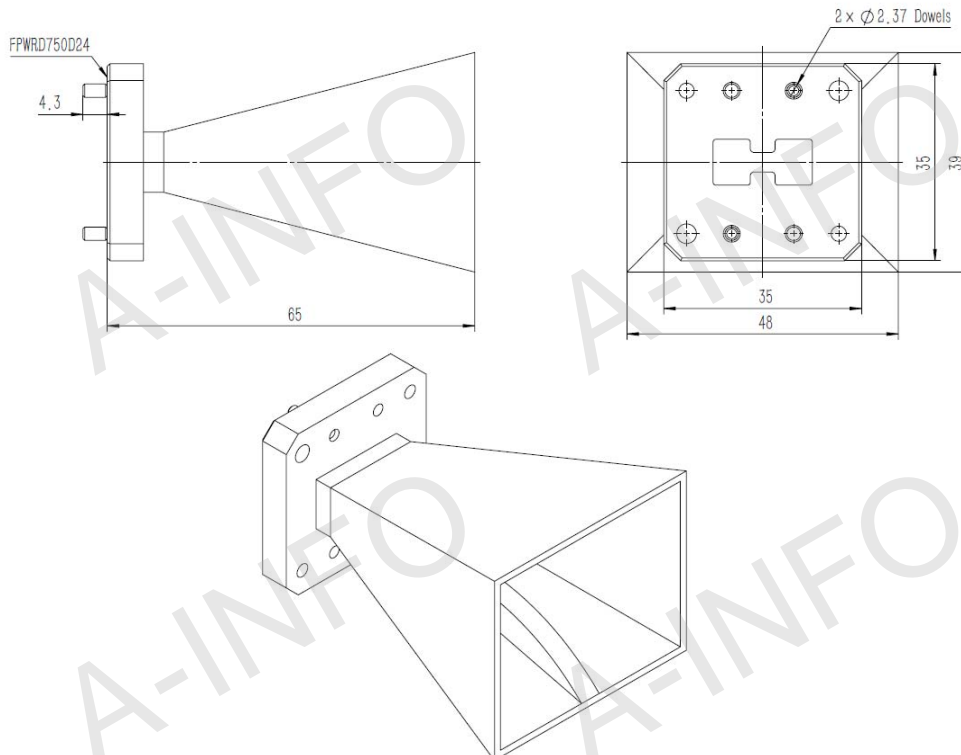
Technical Specification



Frequency Range(GHz)	7.5 - 18.0
Gain(dBi)	10 Typ.
Polarization	Linear
3dB Beamwidth(deg)	E Plane: 56 - 26
	H Plane: 57 - 26
Cross Pol. Isolation(dB)	35 Typ.
VSWR	1.5:1 Typ.
Output	A Type: FPWRD750D24
	C Type: SMA-Female or N-Female or High Power N-Female
Power Handling(W)	SMA-F: 50 Max. CW
	N-F: 150 Max. CW
	HP N-F: 500 Max. CW
Material	Al
Size(mm)	A Type: 48 x 39 x 65
	C Type: 48 x 39 x 96.7
Net Weight(Kg)	A Type: 0.04 Around
	C Type: 0.22 Around

Outline Drawing (Size: mm)

A Type(With FPWRD750D24 Output)



AINFO Inc.

Page 1 of 12

China(Beijing):
China(Chengdu):
USA :

Tel: (+86) 10-6266-7326,
Tel: (+86) 28-8519-2786,
Tel: (+1) 949-639-9688,

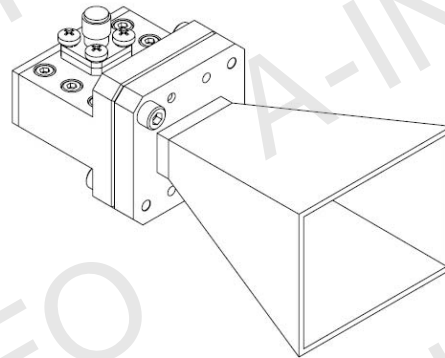
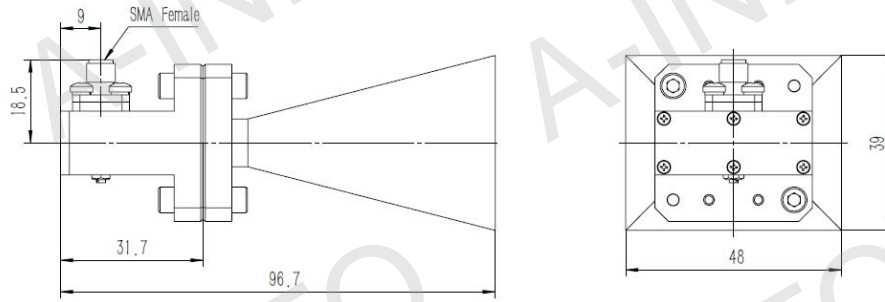
(+86) 10-6266-7327
(+86) 28-8519-3044
(+1) 949-639-9608

Fax: (+86) 10-6266-7379
Fax: (+86) 28-8519-3068
Fax: (+1) 949-639-9670

Website: www.ainfoinc.com
Email: sales@ainfoinc.com

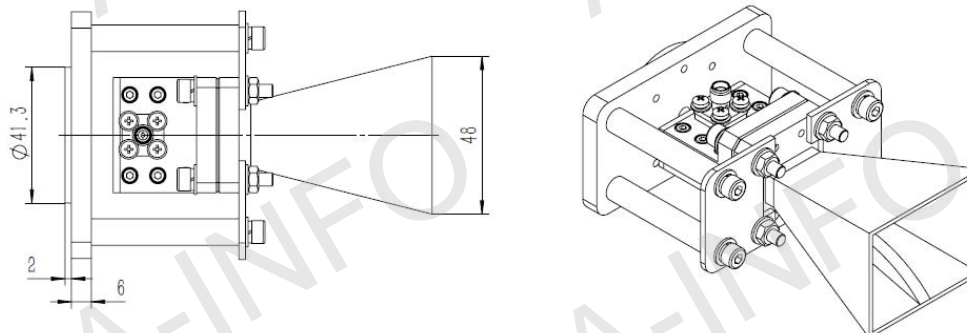
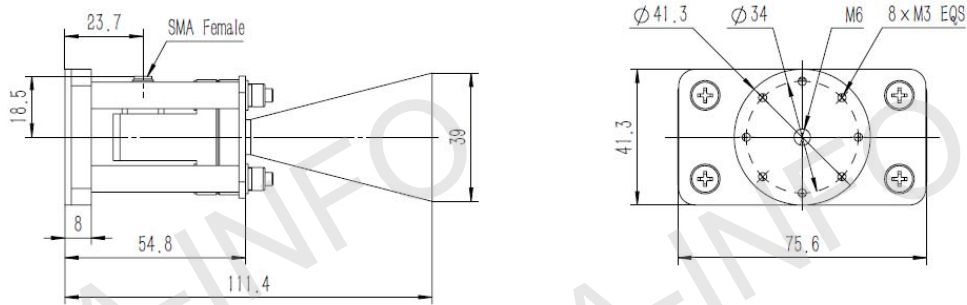
C Type (With SMA-Female Output)

For N-Female or High Power N-Female output outline drawing, please contact A-INFO.



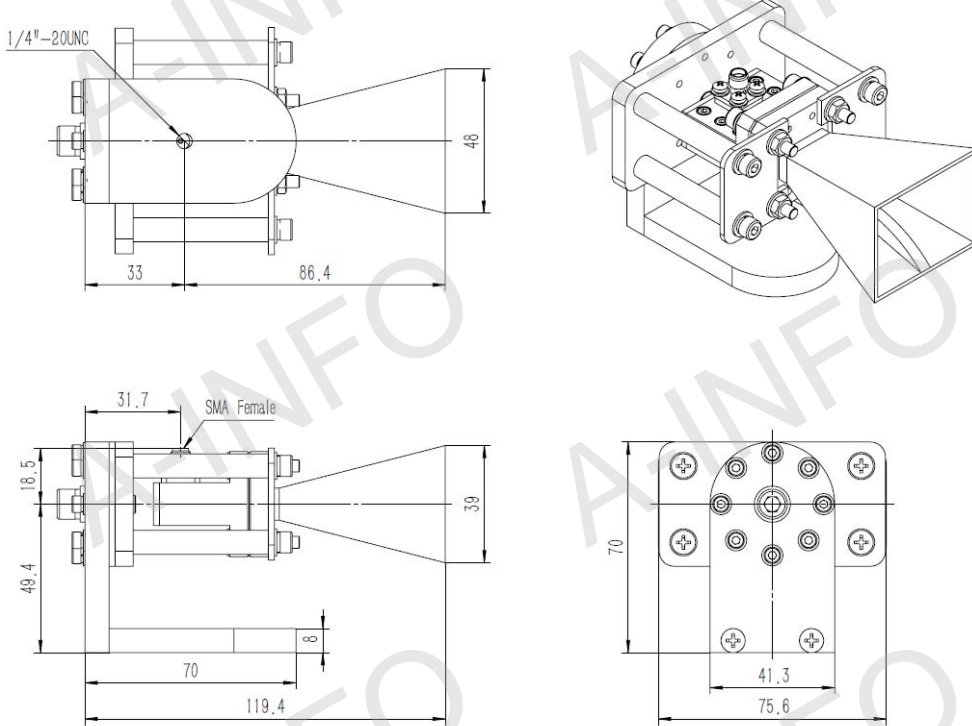
C Type (With SMA-Female Output & Round Mounting Bracket)

For N-Female or High Power N-Female output outline drawing, please contact A-INFO.

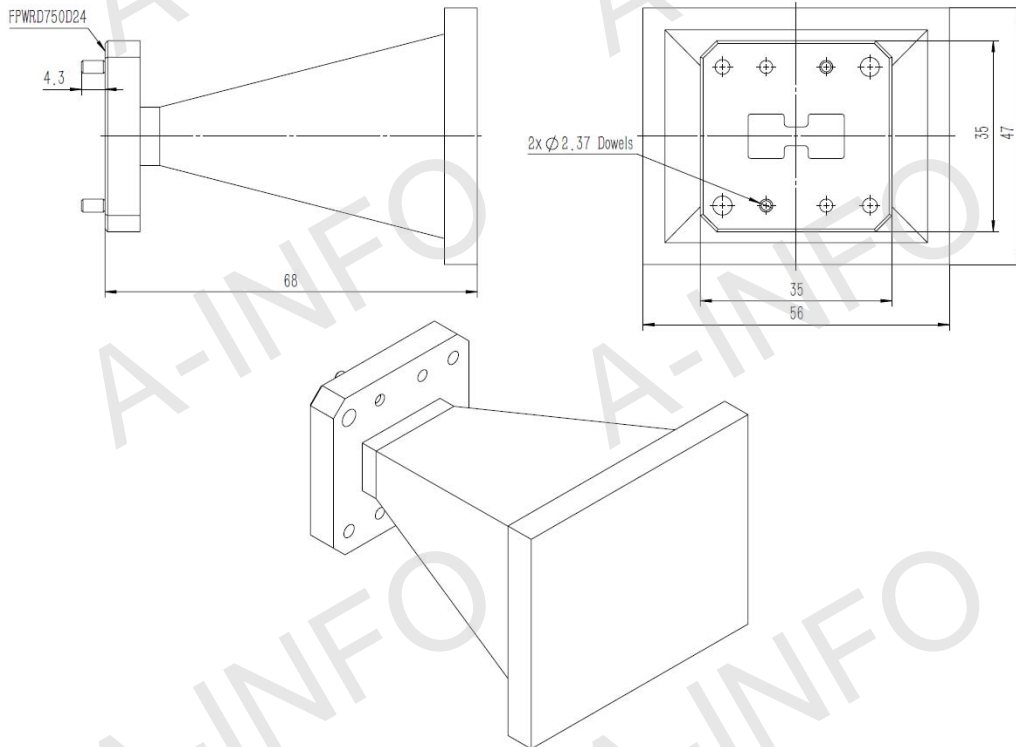


C Type (With SMA-Female Output & L Type Mounting Bracket)

For N-Female or High Power N-Female output outline drawing, please contact A-INFO.

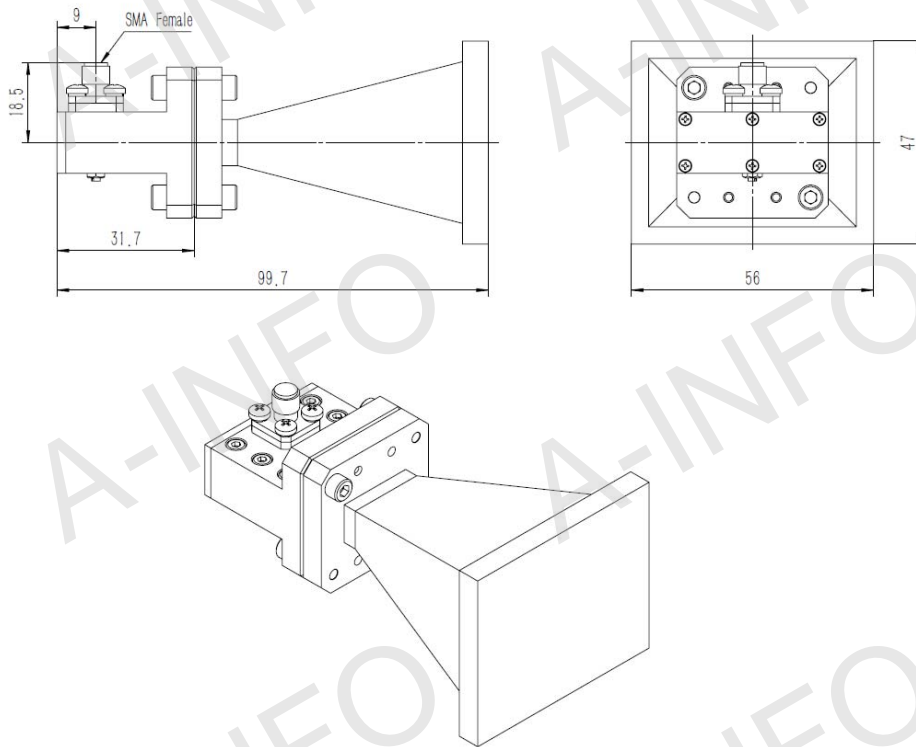


A Type (With Radome)



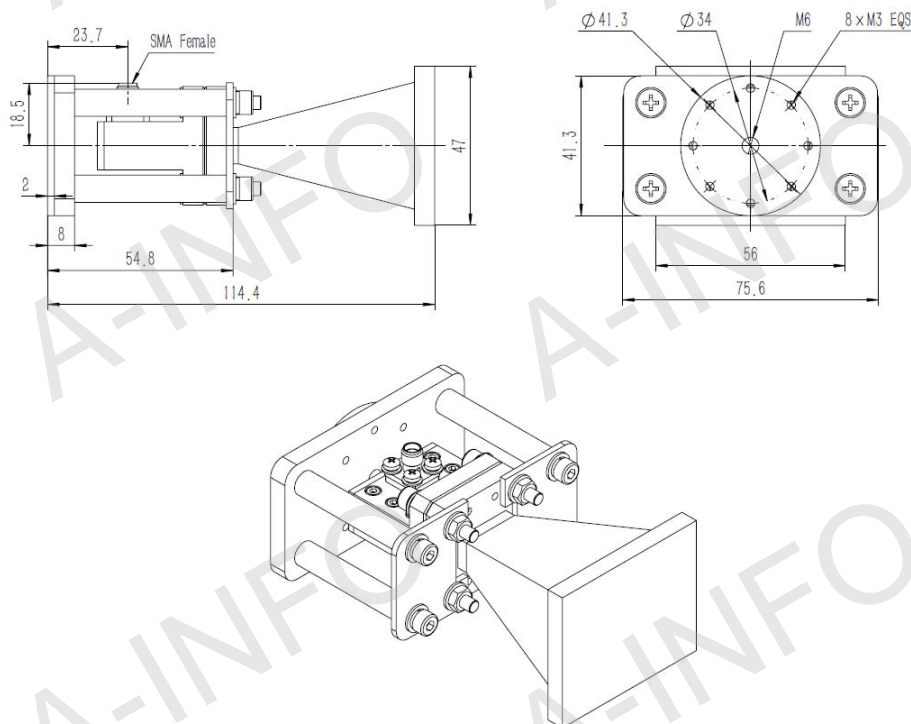
C Type (With SMA-Female Output & Radome)

For N-Female or High Power N-Female output outline drawing, please contact A-INFO.



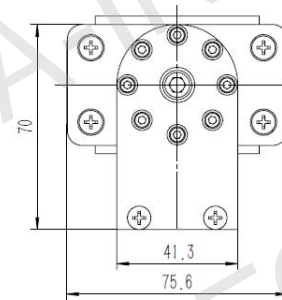
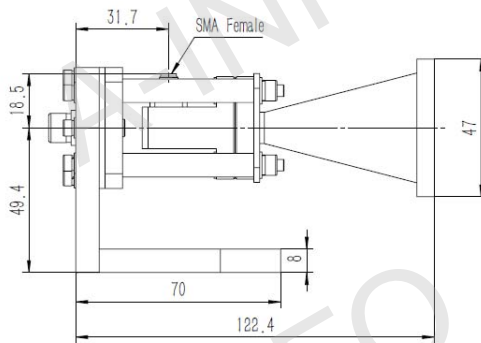
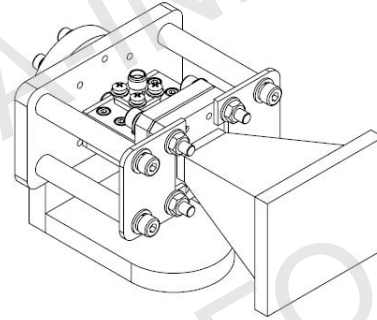
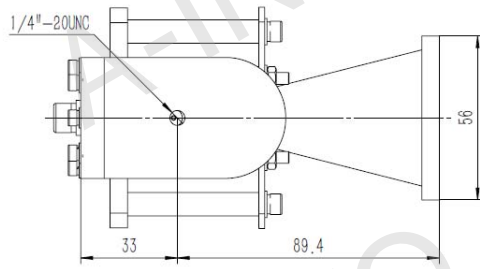
C Type (With SMA-Female Output & Round Mounting Bracket & Radome)

For N-Female or High Power N-Female output outline drawing, please contact A-INFO.



C Type (With SMA-Female Output & L Type Mounting Bracket & Radome)

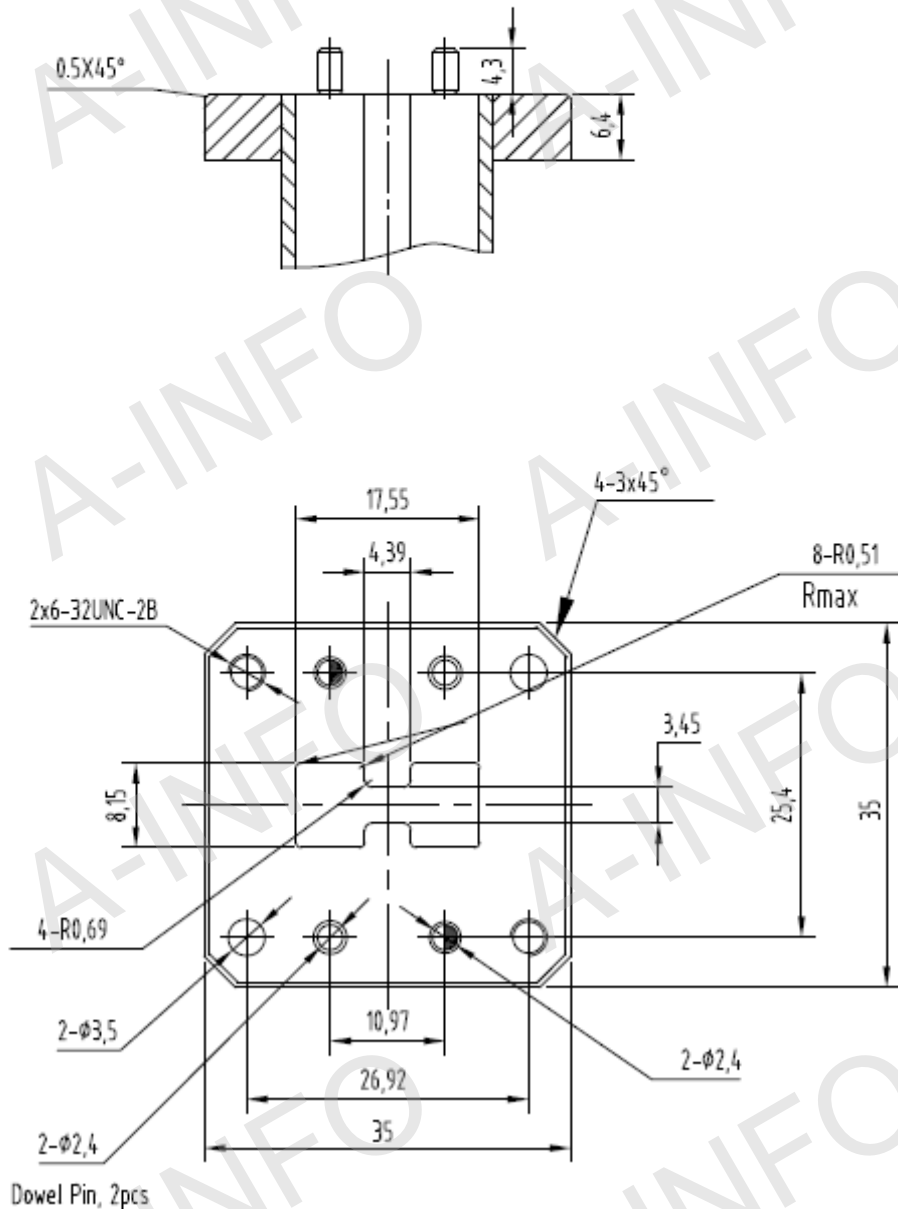
For N-Female or High Power N-Female output outline drawing, please contact A-INFO.



Flange Drawing (Size: mm)

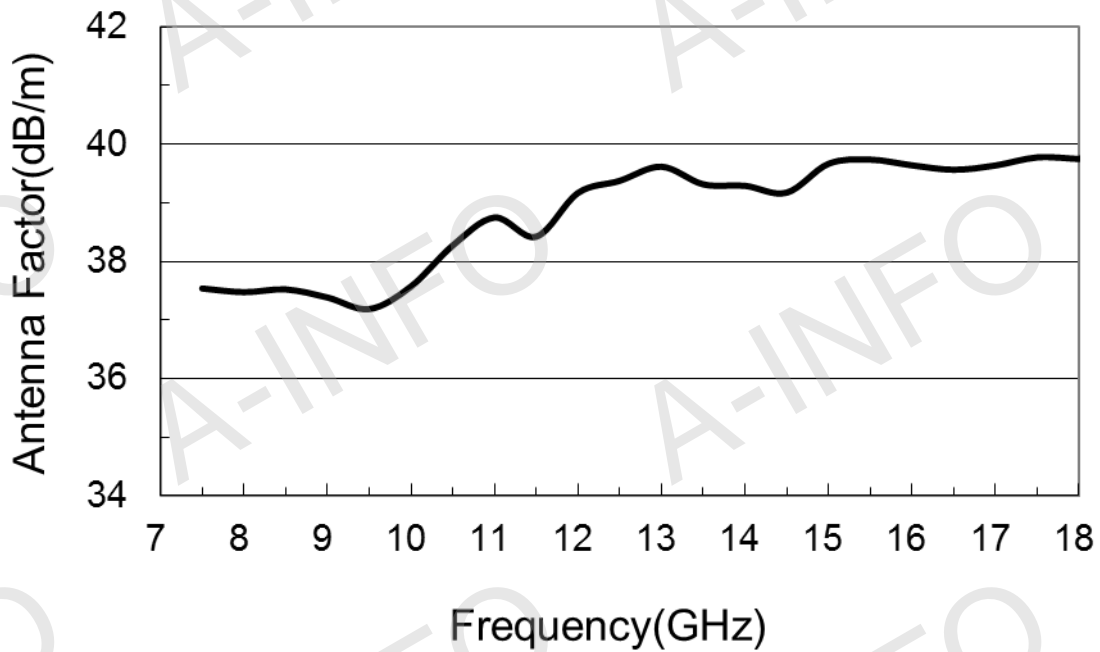
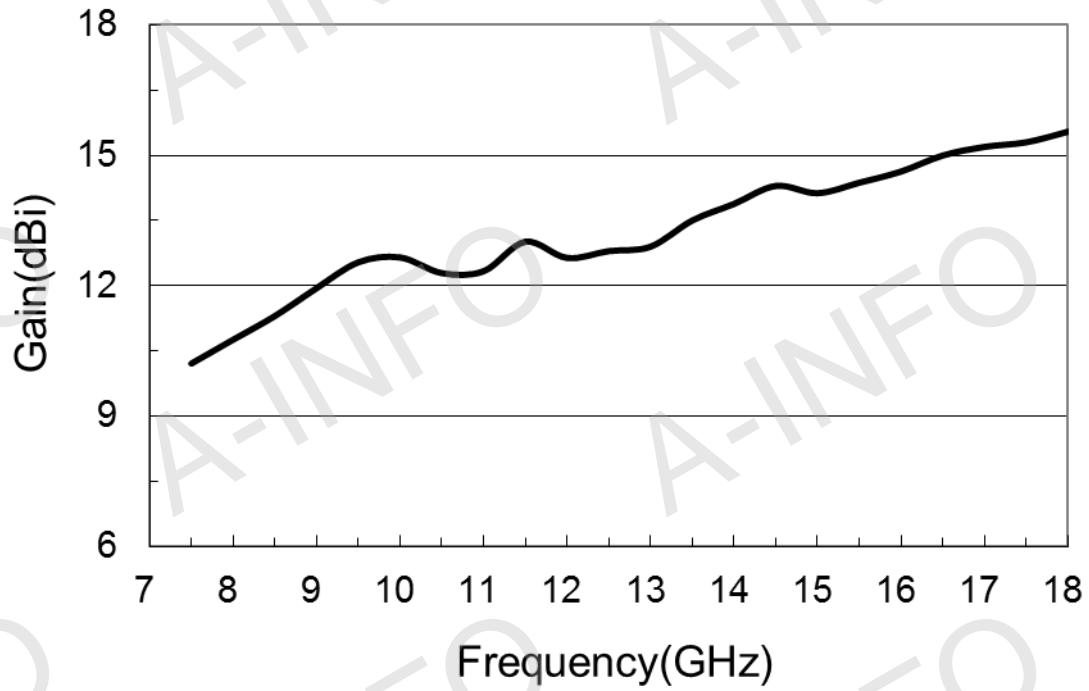
FPWRD750D24

(With two through mounting holes
and two screws holes)

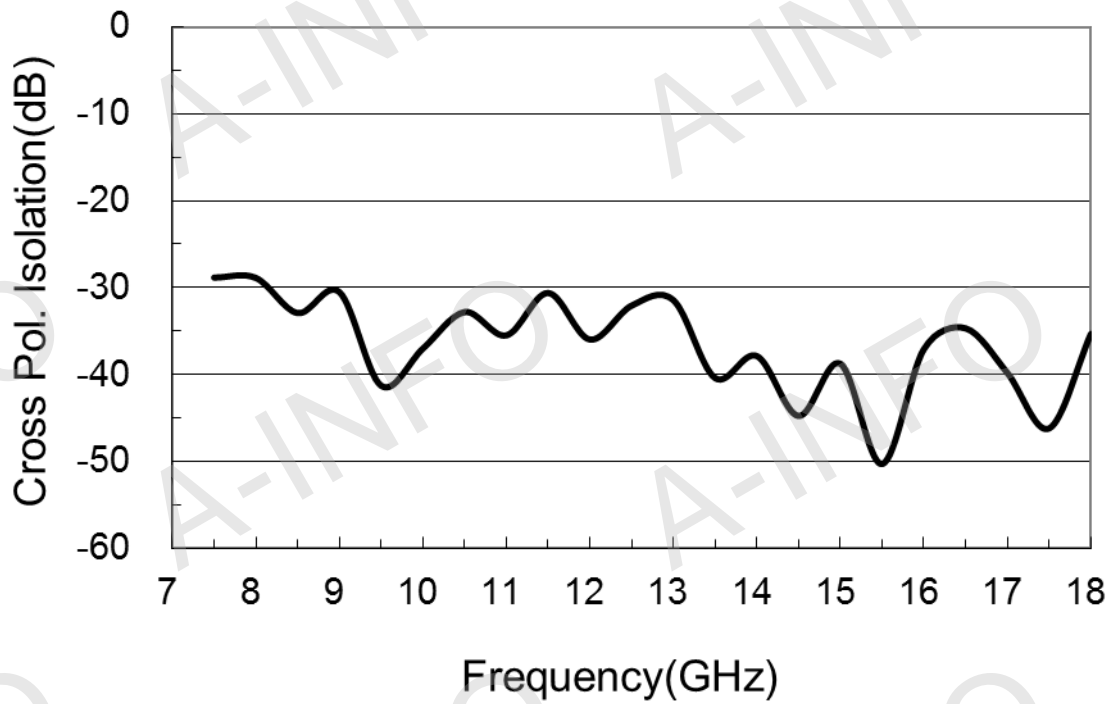


Test Results

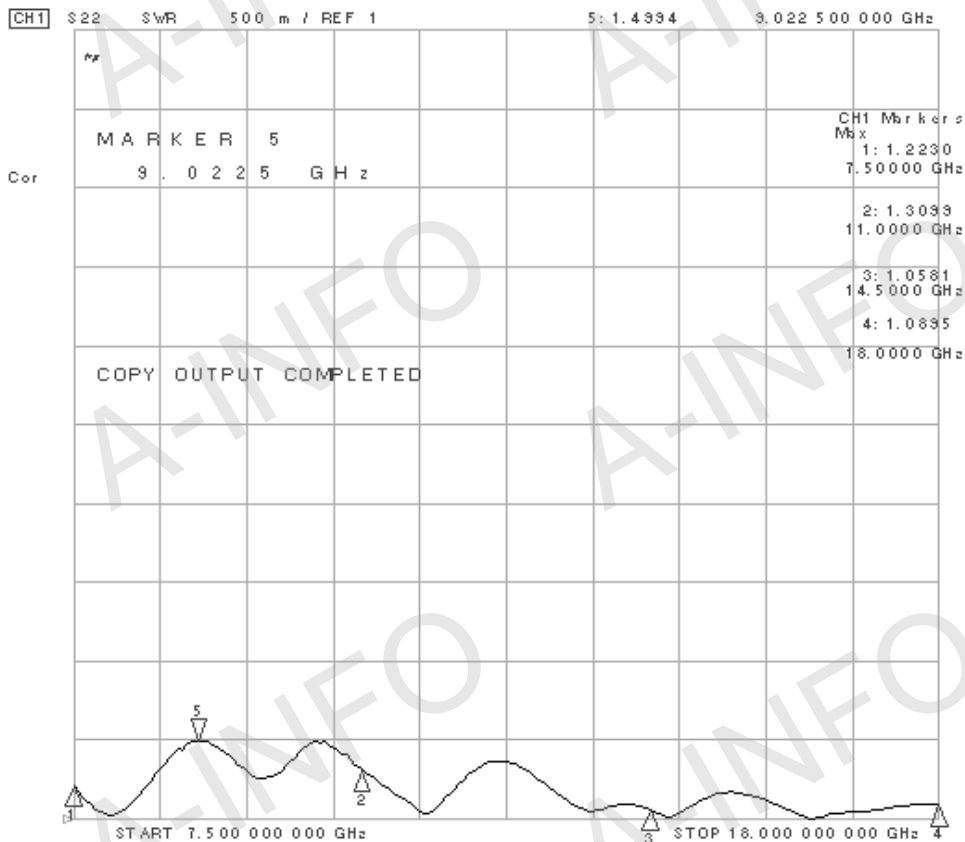
1. Gain & Antenna Factor



2. Cross Polarization Isolation



3. VSWR



4. Pattern

