

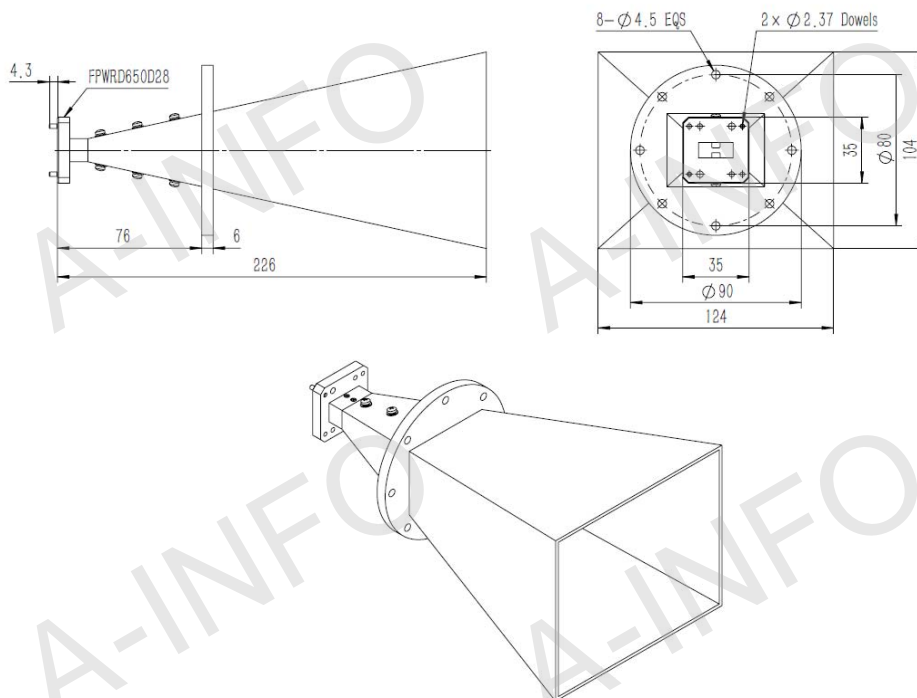
## Technical Specification



Frequency Range(GHz)	6.5 - 18.0	
Gain(dBi)	20 Typ.	
Polarization	Linear	
3dB Beamwidth(deg)	E Plane:	21 - 8
	H Plane:	24 - 9
Cross Pol. Isolation(dB)	30 Typ.	
VSWR	1.5:1 Typ.	
Output	A Type:	FPWRD650D28
	C Type:	N-Female or SMA-Female or High Power N-Female
Power Handling(W)	N-F:	150 Max. CW
	SMA-F:	50 Max. CW
	HP N-F:	500 Max. CW
Material	Al	
Size(mm)	A Type:	124 x 104 x 226
	C Type:	124 x 104 x 262
Net Weight(Kg)	A Type:	0.40 Around
	C Type:	0.75 Around

## Outline Drawing (Size: mm)

A Type(With FPWRD650D28 Output)



AINFO Inc.

Page 1 of 12

China(Beijing):  
China(Chengdu):  
USA :

Tel: (+86) 10-6266-7326,  
Tel: (+86) 28-8519-2786,  
Tel: (+1) 949-639-9688,

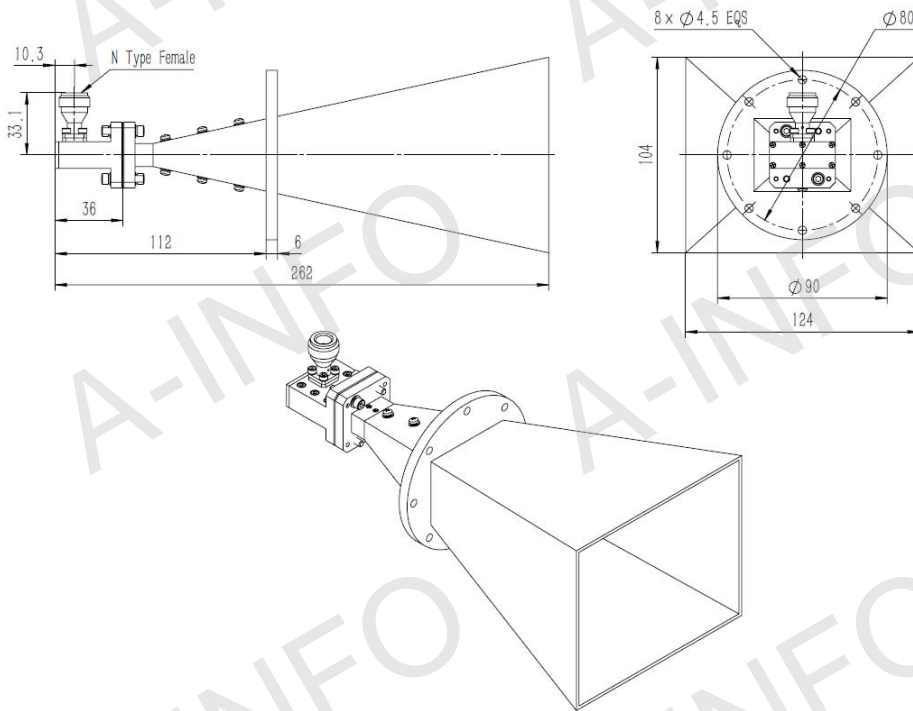
(+86) 10-6266-7327  
(+86) 28-8519-3044  
(+1) 949-639-9608

Fax: (+86) 10-6266-7379  
Fax: (+86) 28-8519-3068  
Fax: (+1) 949-639-9670

Website: [www.ainfoinc.com](http://www.ainfoinc.com)  
Email: [sales@ainfoinc.com](mailto:sales@ainfoinc.com)

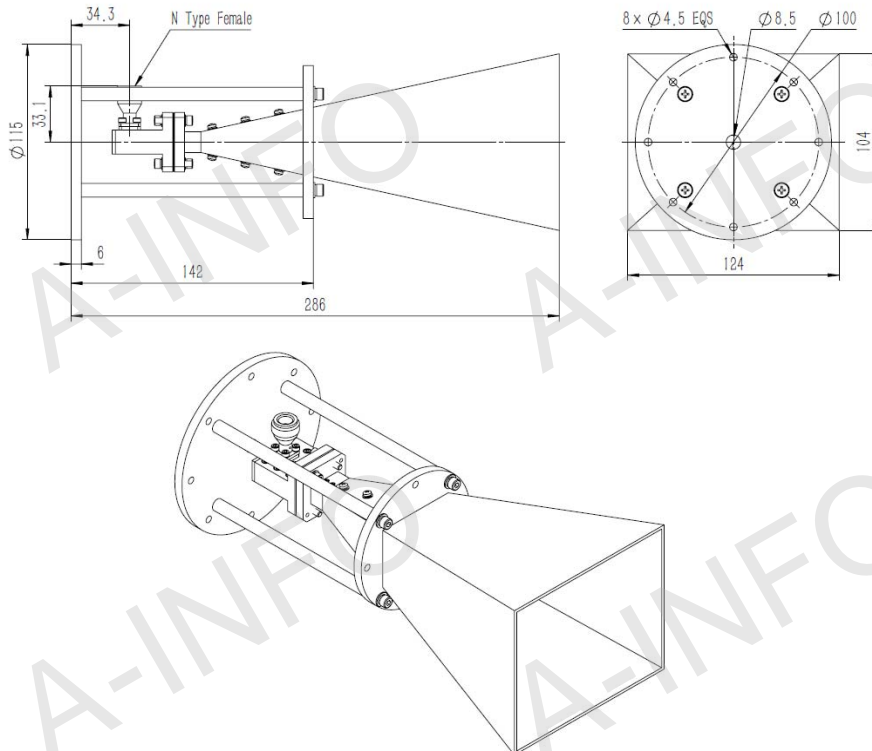
## C Type (With N-Female Output)

For SMA-Female or High Power N-Female output outline drawing, please contact A-INFO.



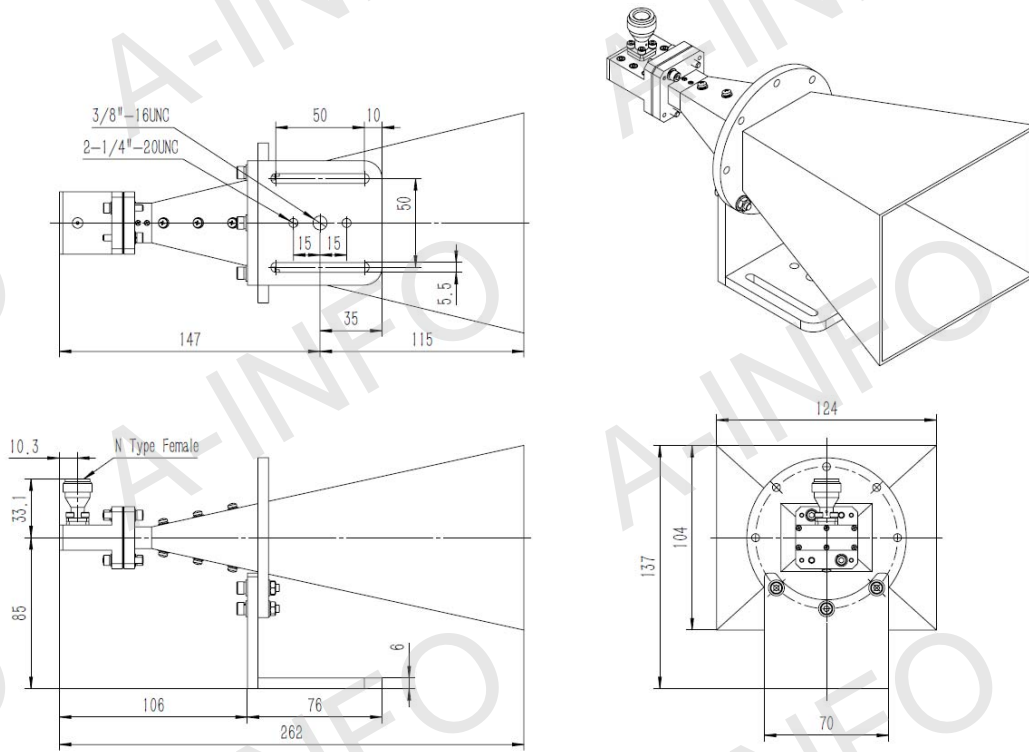
## C Type (With N-Female Output & Round Mounting Bracket)

For SMA-Female or High Power N-Female output outline drawing, please contact A-INFO.

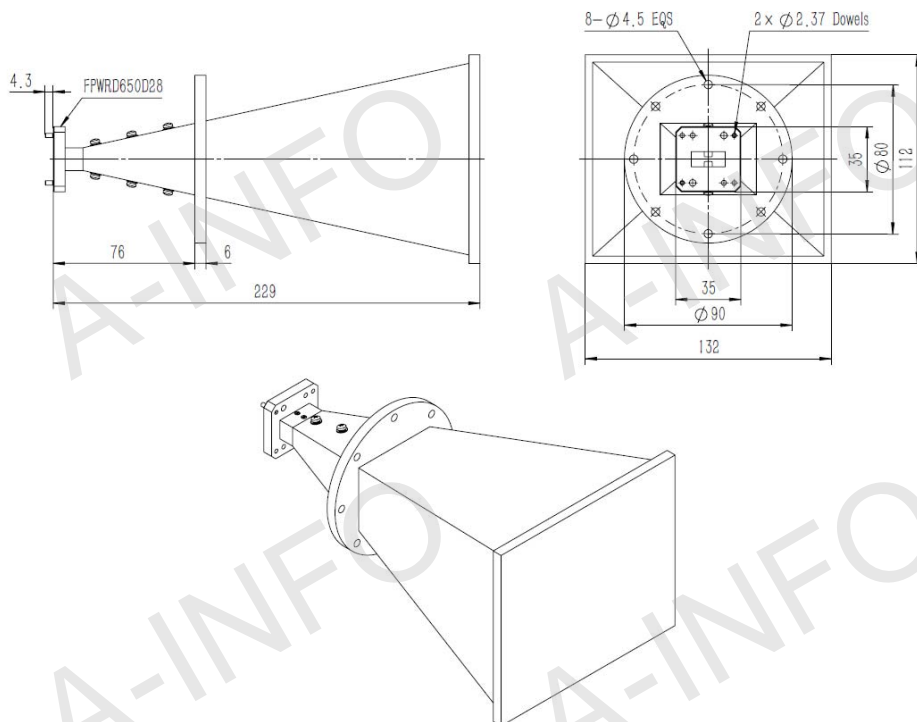


## C Type (With N-Female Output & L Type Mounting Bracket)

For SMA-Female or High Power N-Female output outline drawing, please contact A-INFO.

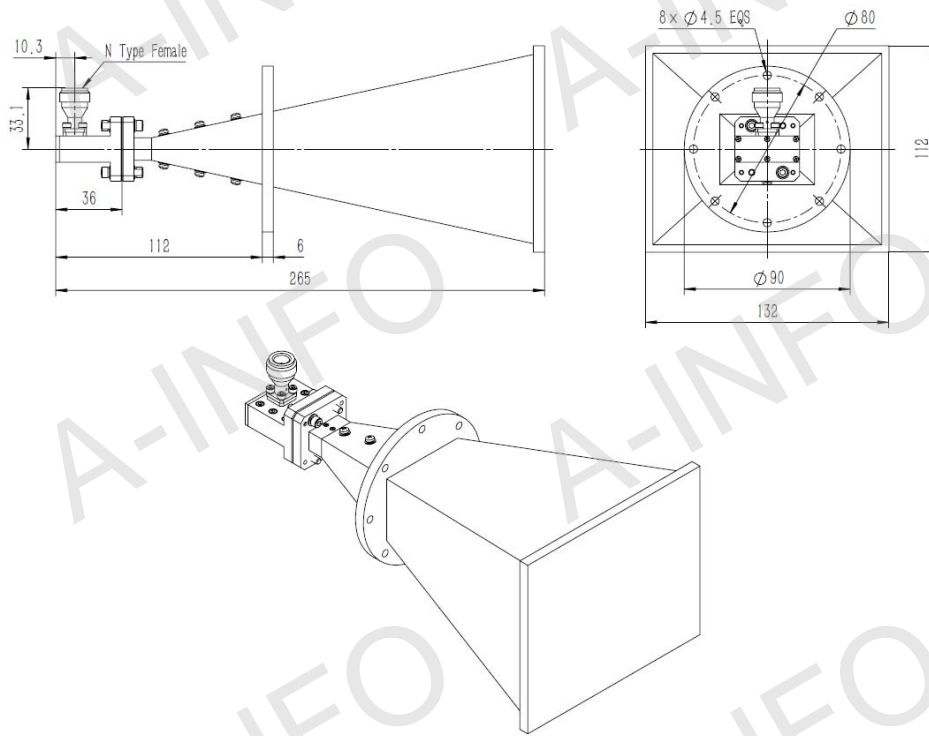


## A Type (With Radome)



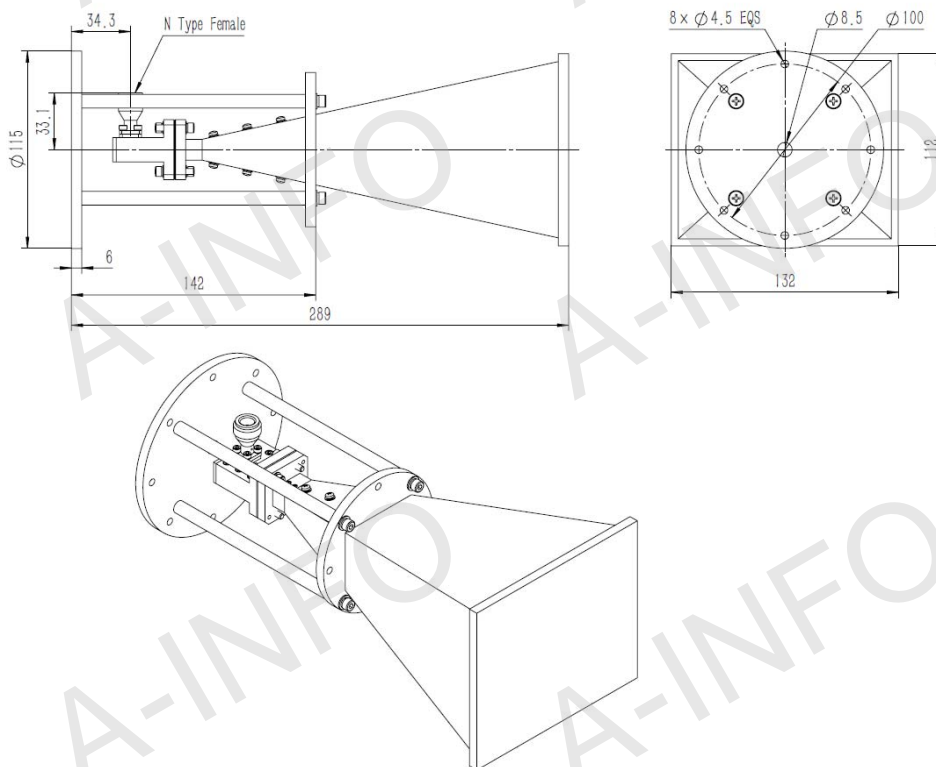
## C Type (With N-Female Output & Radome)

For SMA-Female or High Power N-Female output outline drawing, please contact A-INFO.



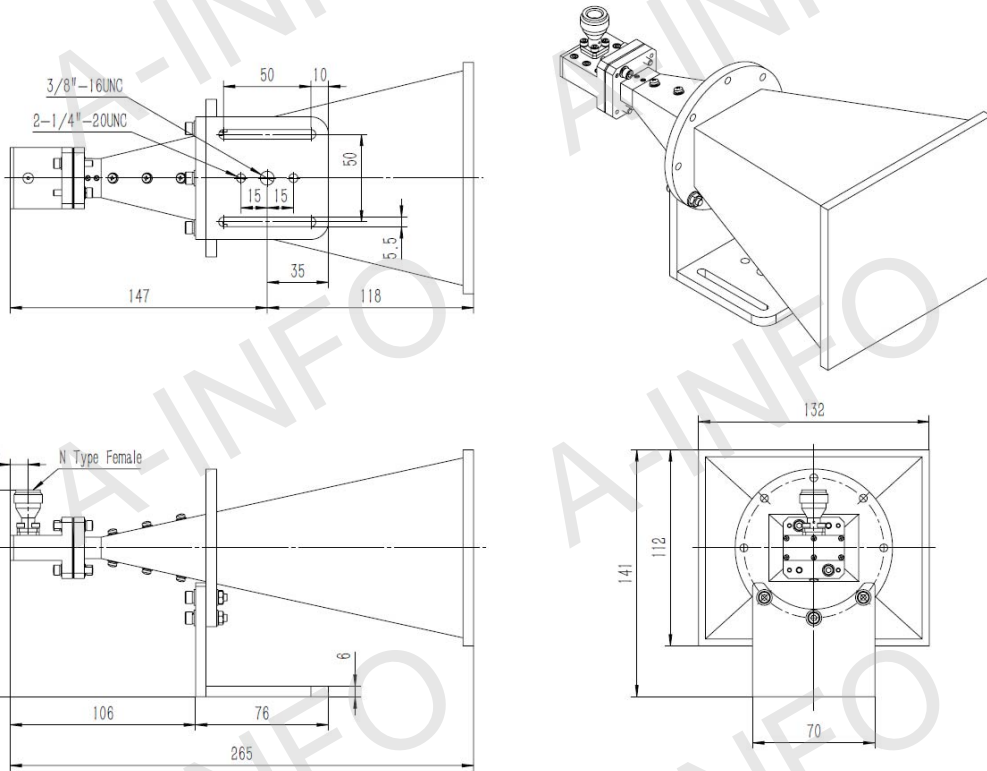
## C Type (With N-Female Output & Round Mounting Bracket & Radome)

For SMA-Female or High Power N-Female output outline drawing, please contact A-INFO.



## C Type (With N-Female Output & L Type Mounting Bracket & Radome)

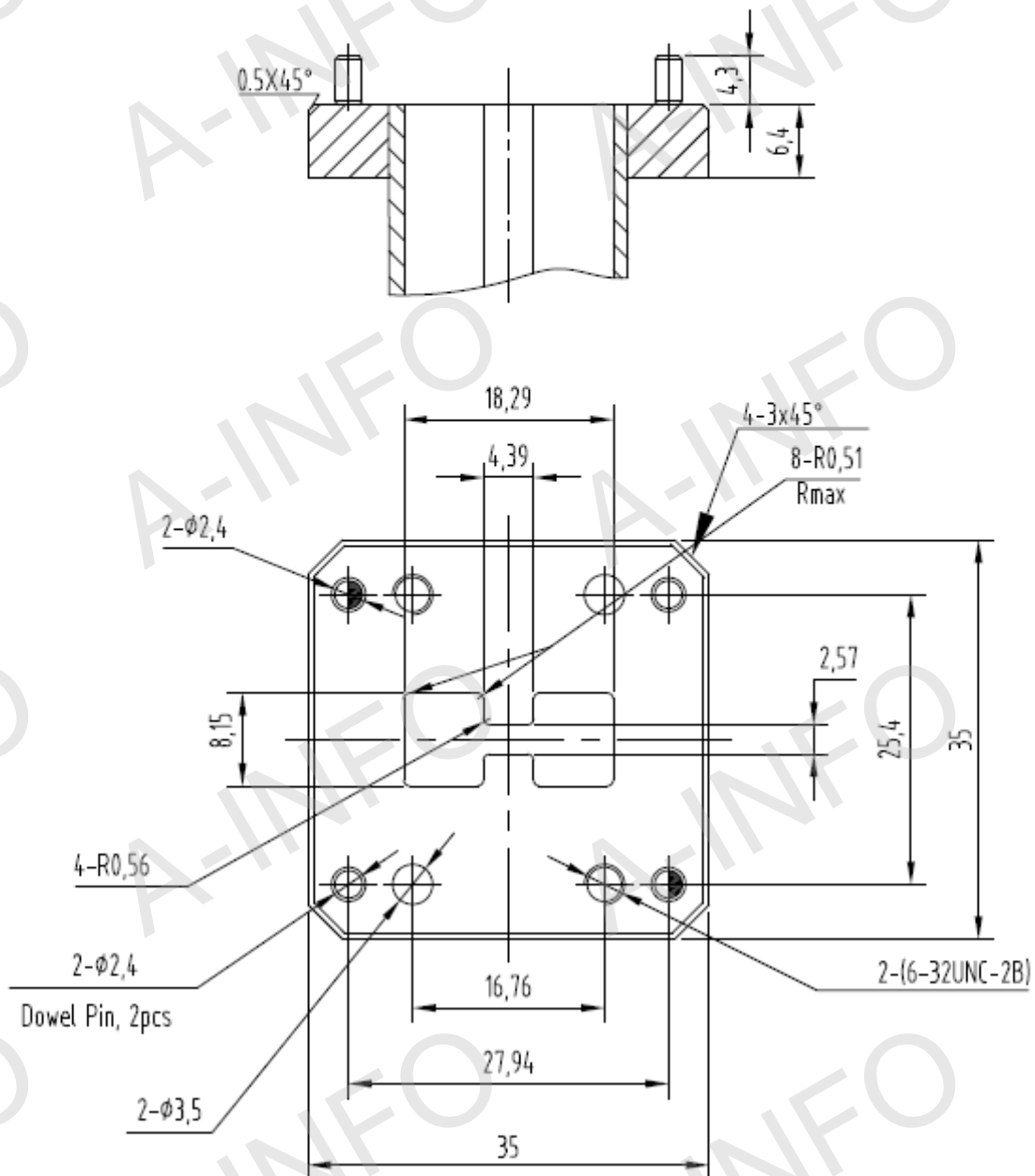
For SMA-Female or High Power N-Female output outline drawing, please contact A-INFO.



## Flange Drawing (Size: mm)

### FPWRD650D28

(With two through mounting holes  
and two screws holes)



AINFO Inc.

Page 6 of 12

China(Beijing):  
China(Chengdu):  
USA :

Tel: (+86) 10-6266-7326,  
Tel: (+86) 28-8519-2786,  
Tel: (+1) 949-639-9688,

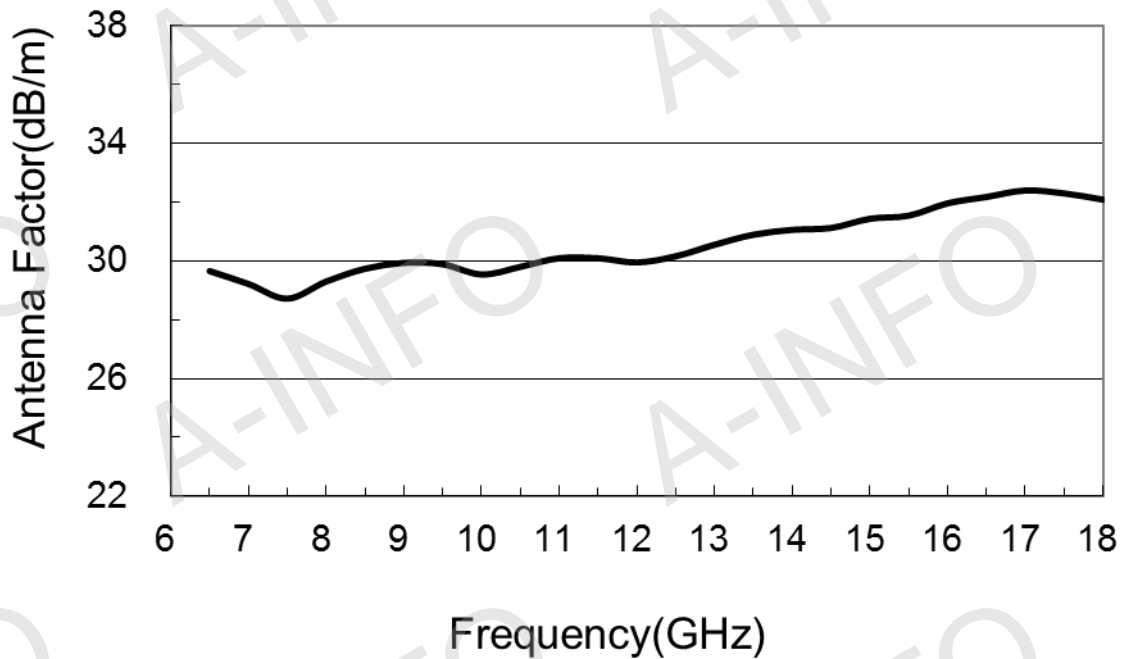
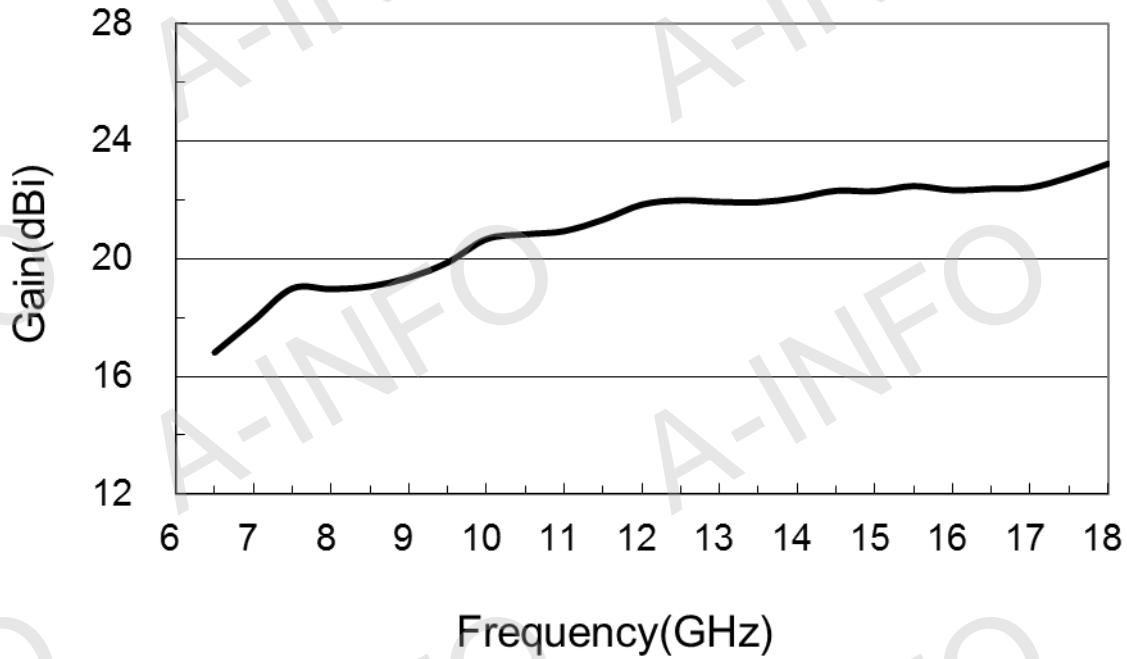
(+86) 10-6266-7327  
(+86) 28-8519-3044  
(+1) 949-639-9608

Fax: (+86) 10-6266-7379  
Fax: (+86) 28-8519-3068  
Fax: (+1) 949-639-9670

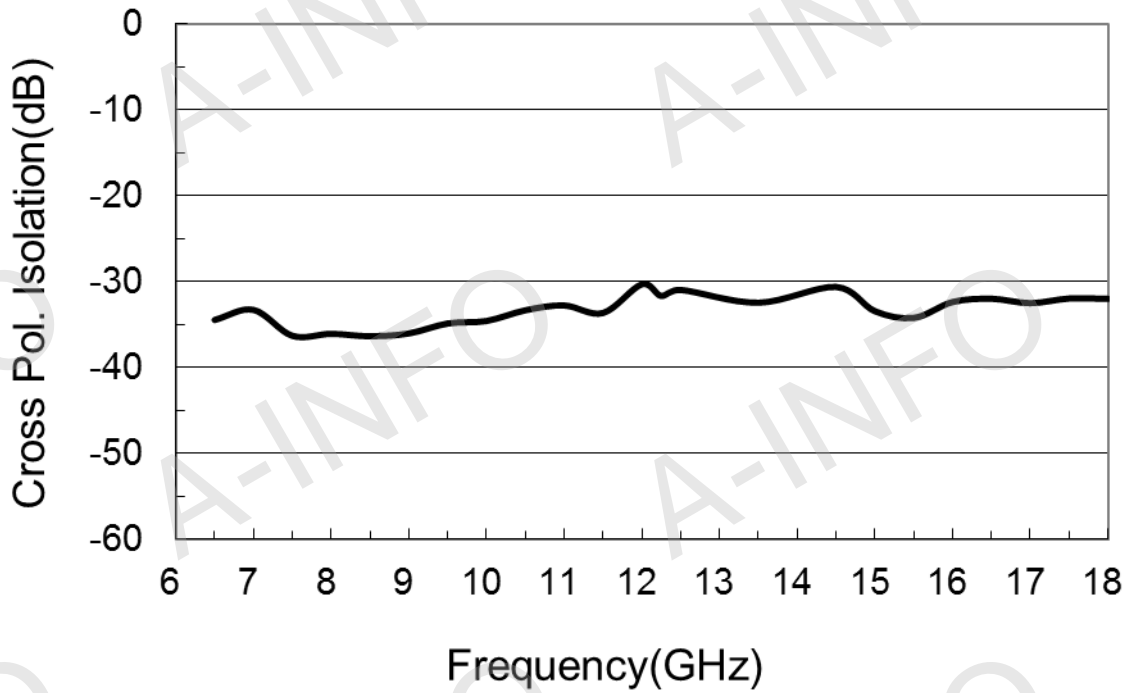
Website: [www.ainfoinc.com](http://www.ainfoinc.com)  
Email: [sales@ainfoinc.com](mailto:sales@ainfoinc.com)

## Test Results

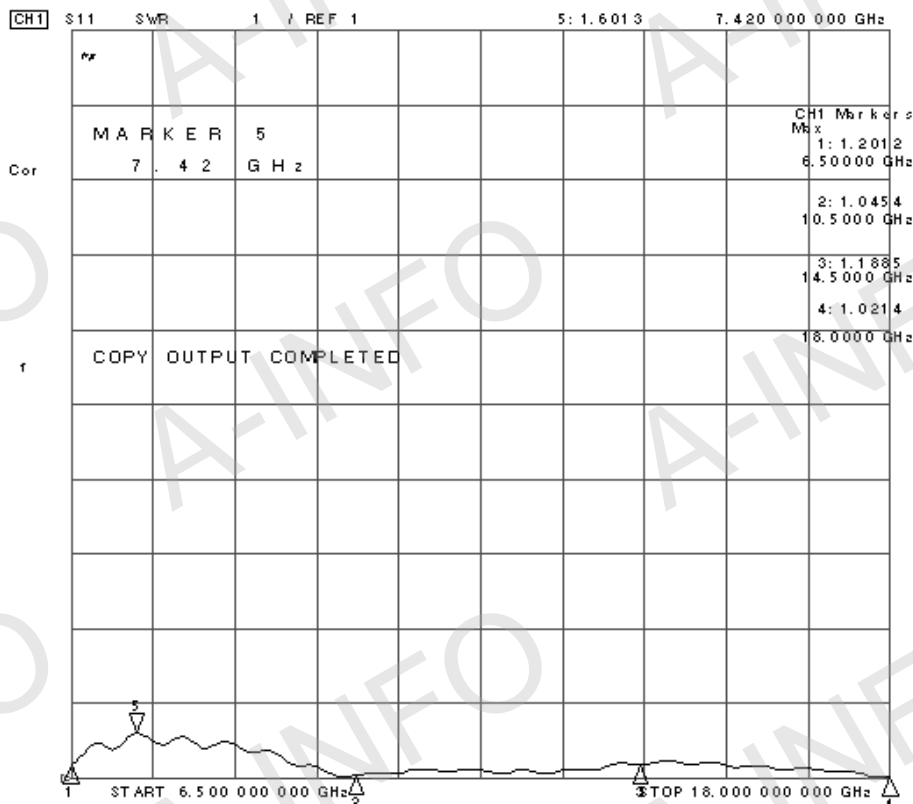
### 1. Gain & Antenna Factor



## 2. Cross Polarization Isolation



## 3. VSWR





## 4. Pattern

