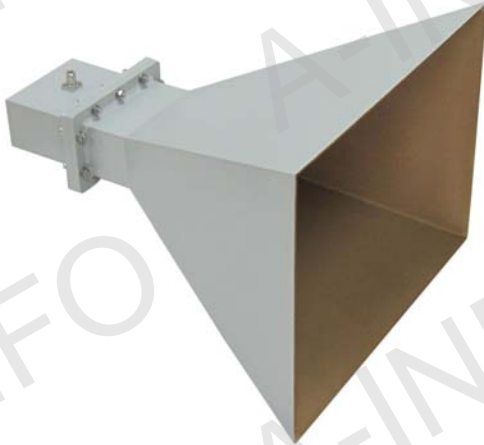


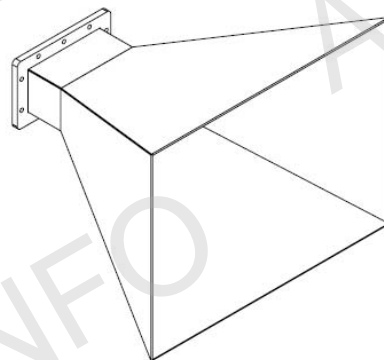
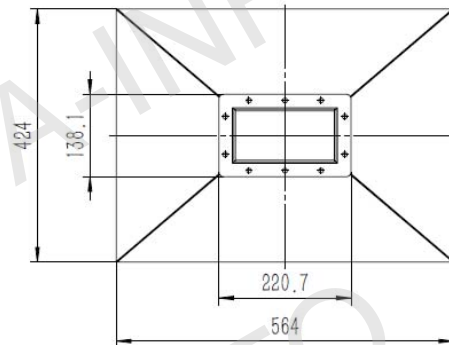
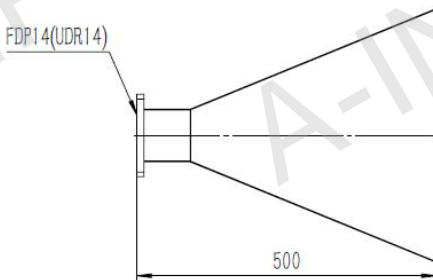
## Technical Specification



Frequency Range(GHz)	1.12 -1.70
Gain(dB)	15 Typ.
3dB Beamwidth(deg)	30 Typ.
Waveguide	WR650(UDR14)
Material	Al
Output	A Type: FDP14 C Type: N-F or SMA-F or 7/16-F
Size(mm)	A Type: 564x424x500 C Type: 564x424x650
Net Weight(Kg)	A Type: 5.50 Around C Type: 6.95 Around

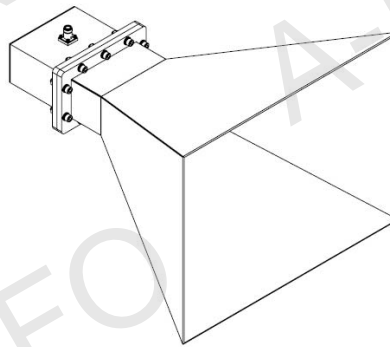
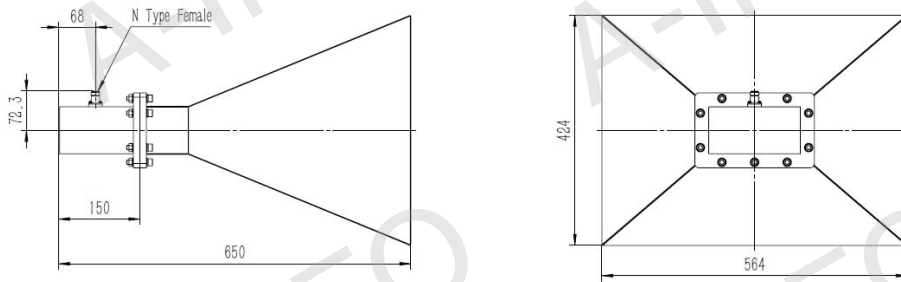
## Outline Drawing (Size: mm)

A Type (With FDP14 Output)



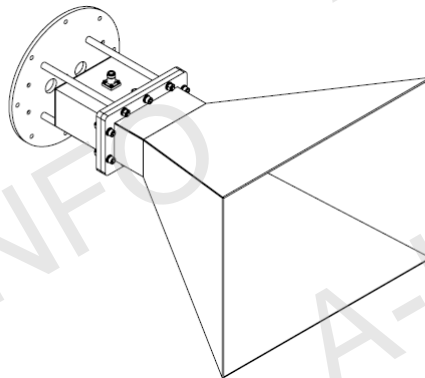
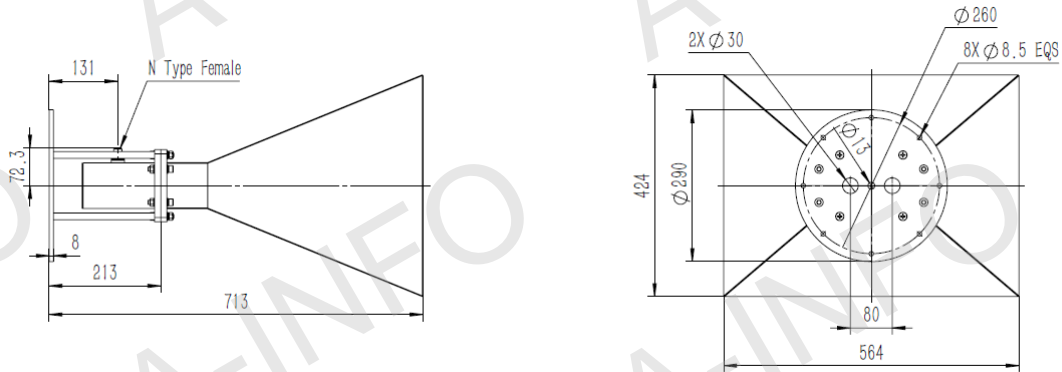
## C Type (With N type Female Output)

For SMA-Female or 7/16-Female output outline drawing, please contact A-INFO.



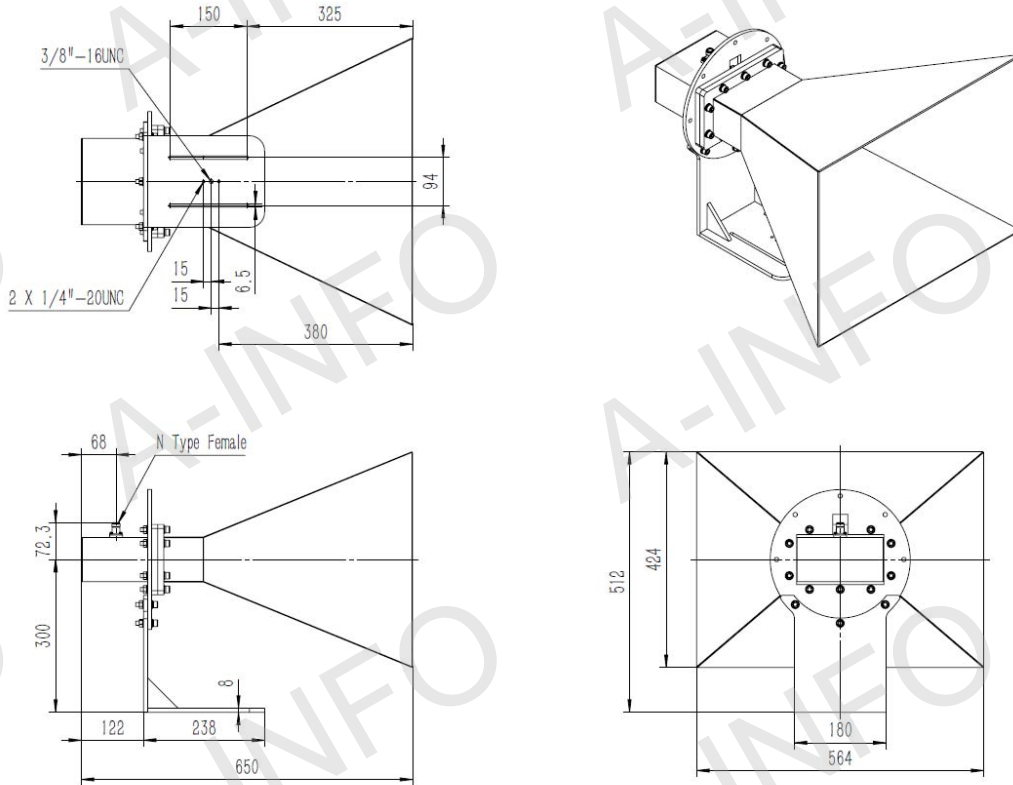
## C Type (With N type Female Output & Round Mounting Bracket)

For SMA-Female or 7/16-Female output outline drawing, please contact A-INFO.

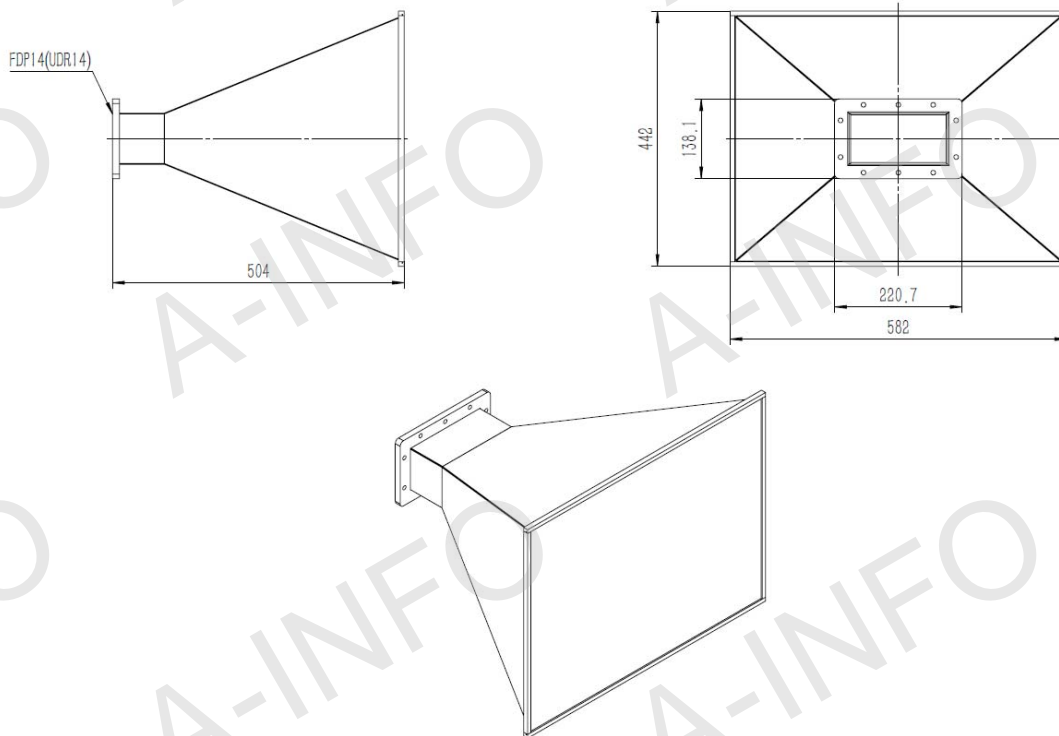


## C Type (With N type Female Output & L Type Mounting Bracket)

For SMA-Female or 7/16-Female output outline drawing, please contact A-INFO.

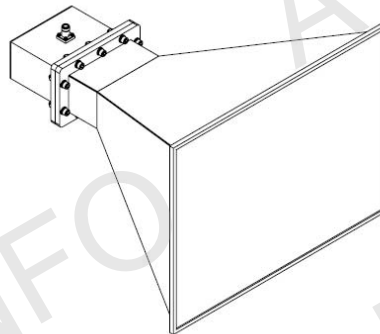
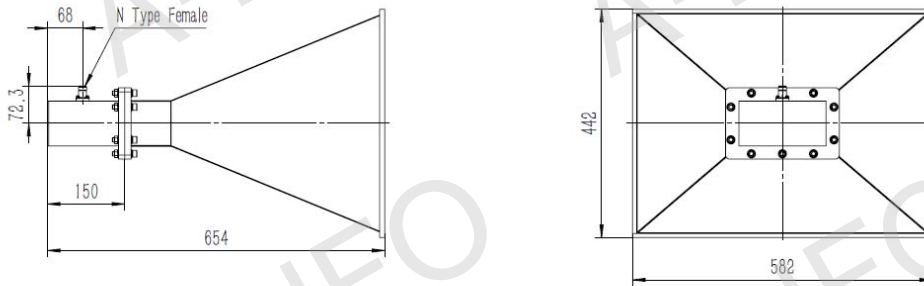


## A Type (With Radome)



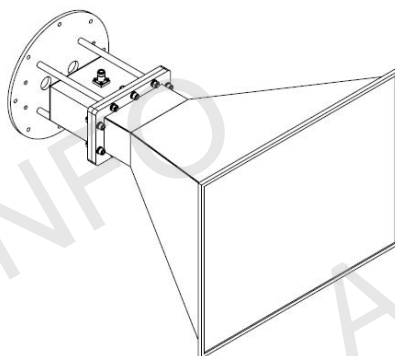
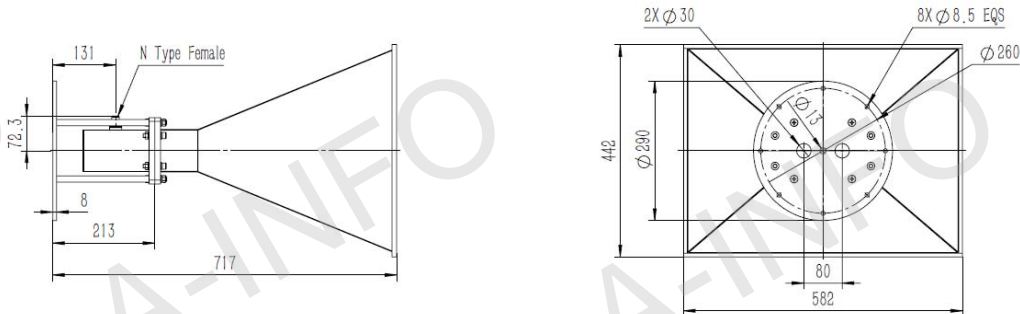
## C Type (With N type Female Output & Radome)

For SMA-Female or 7/16-Female output outline drawing, please contact A-INFO.



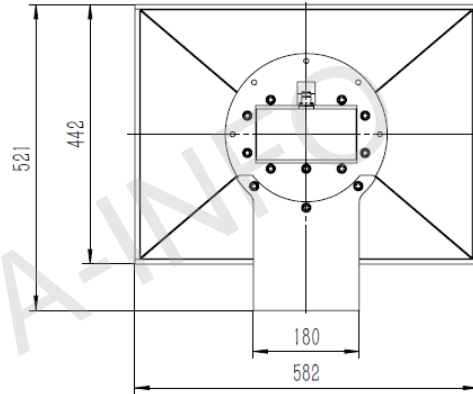
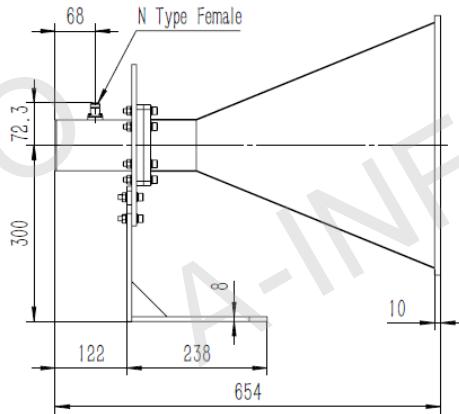
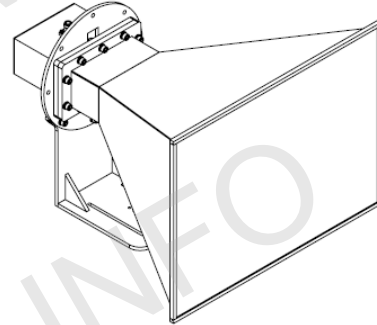
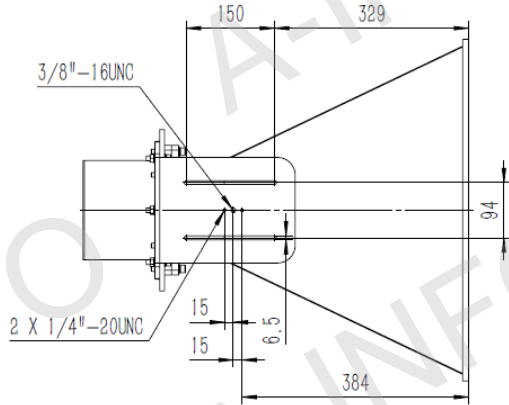
## C Type (With N type Female Output & Round Mounting Bracket & Radome)

For SMA-Female or 7/16-Female output outline drawing, please contact A-INFO.

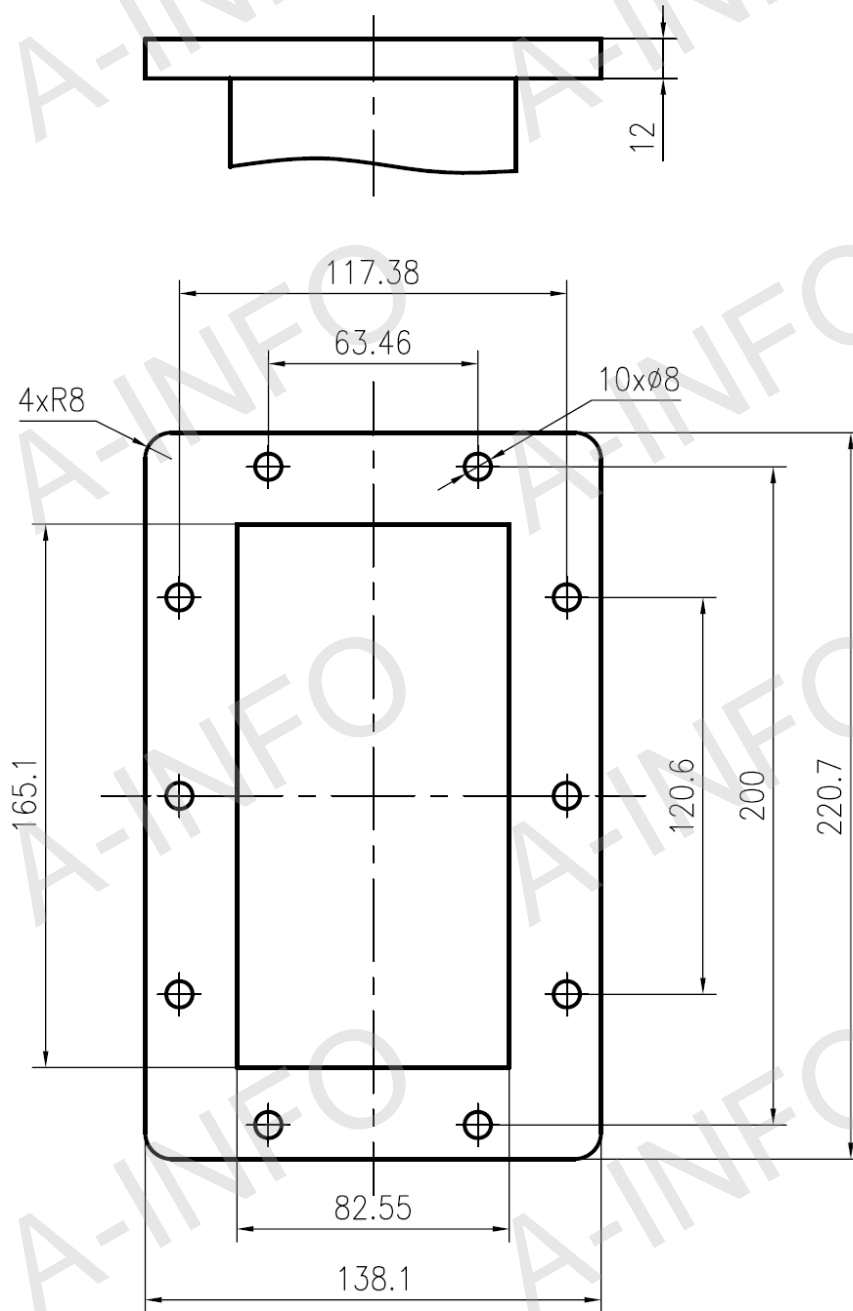


## C Type (With N type Female Output & L Type Mounting Bracket & Radome)

For SMA-Female or 7/16-Female output outline drawing, please contact A-INFO.



## Flange Drawing (Size: mm)



## FDP14

AINFO Inc.

China(Beijing):  
China(Chengdu):  
USA :

Tel: (+86) 10-6266-7326,  
Tel: (+86) 28-8519-2786,  
Tel: (+1) 949-639-9688,

(+86) 10-6266-7327  
(+86) 28-8519-3044  
(+1) 949-639-9608

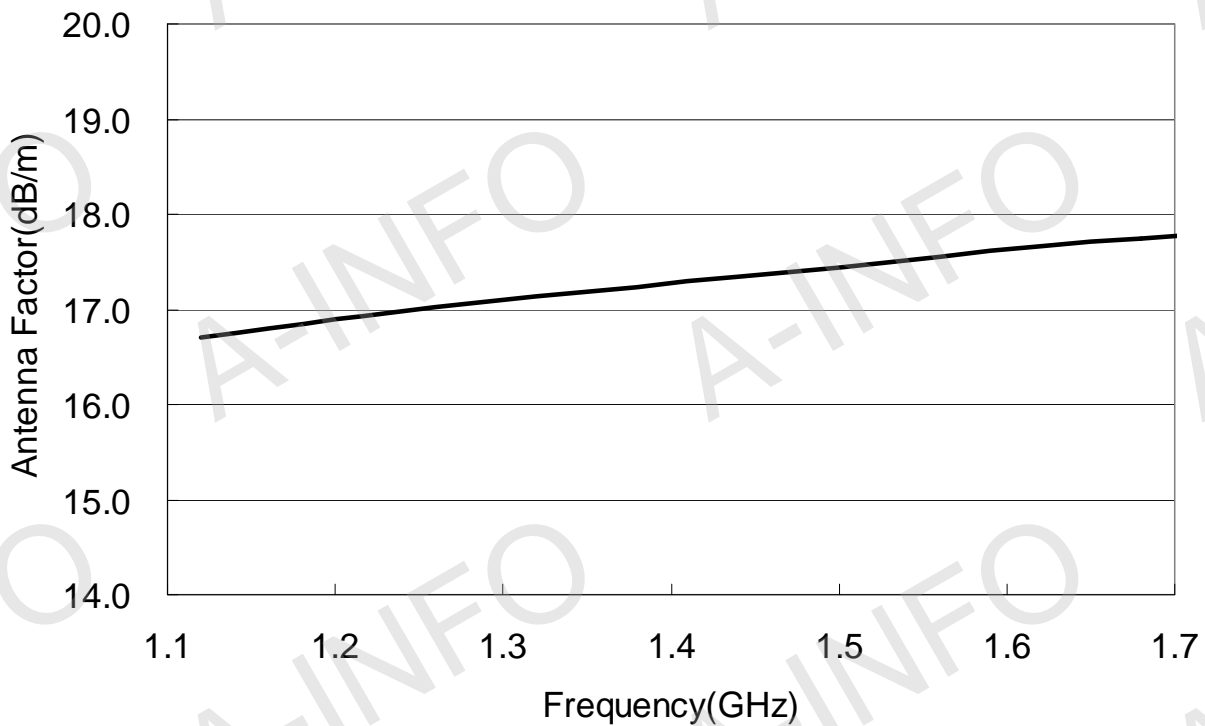
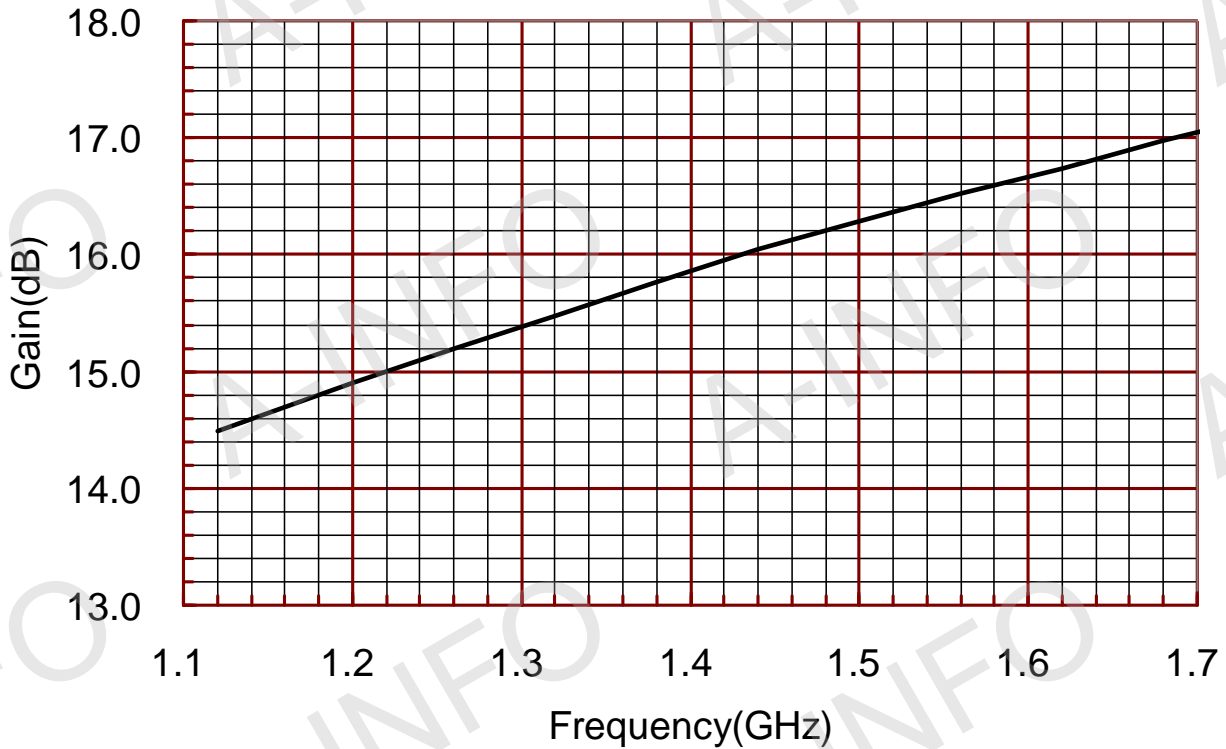
Page 6 of 10

Fax: (+86) 10-6266-7379  
Fax: (+86) 28-8519-3068  
Fax: (+1) 949-639-9670

Website: [www.ainfoinc.com](http://www.ainfoinc.com)  
Email: [sales@ainfoinc.com](mailto:sales@ainfoinc.com)

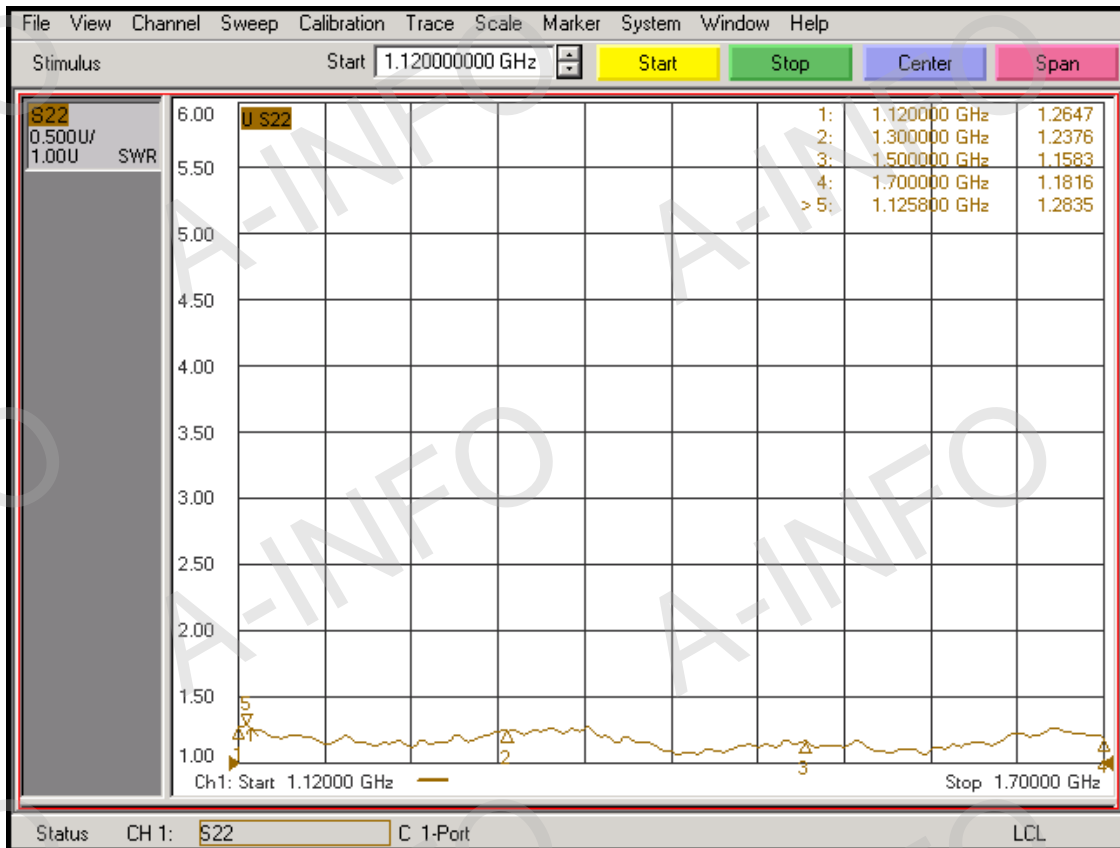
## Test Results

### 1. Gain and Antenna Factor



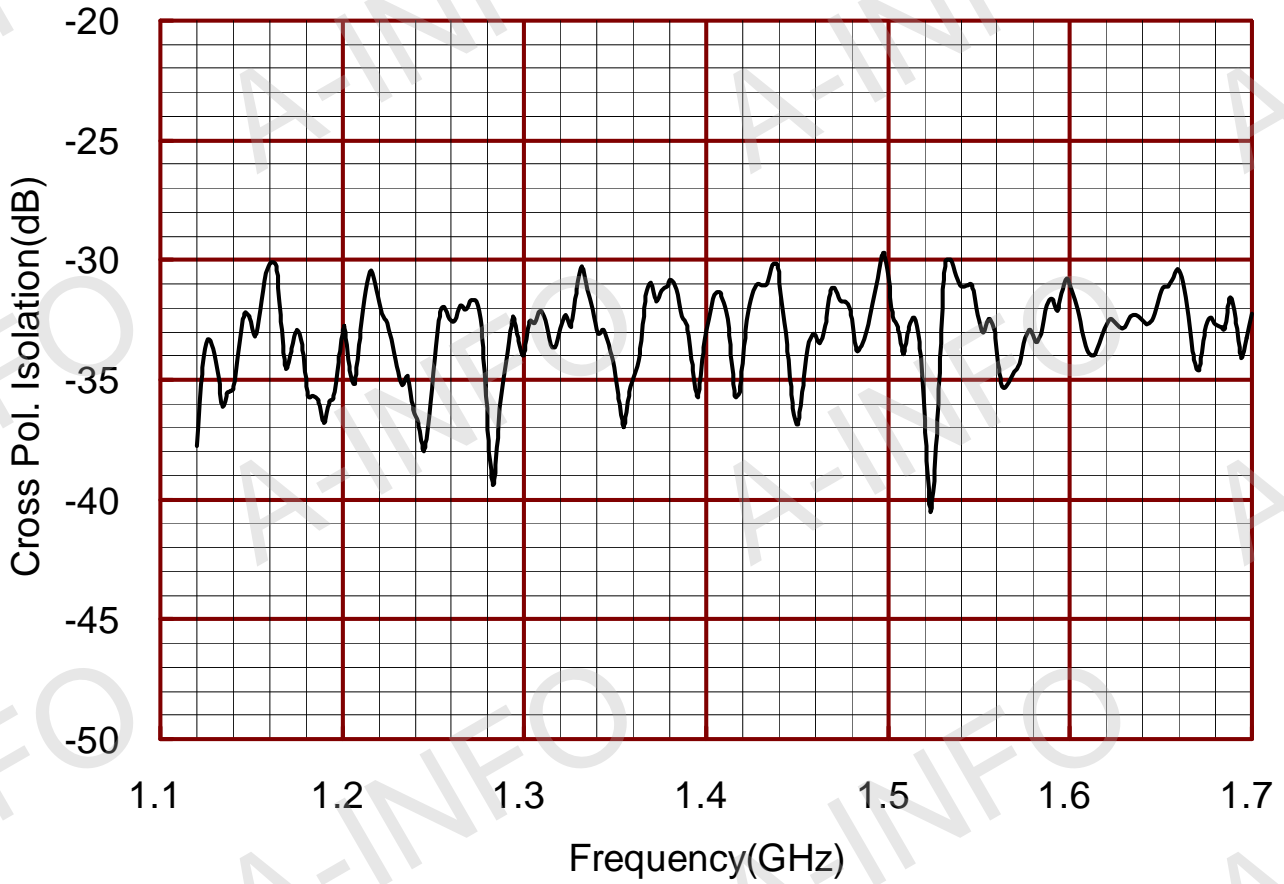
Frequency(GHz)	Gain(dB)	Antenna Factor(dB/m)
1.12	14.49	16.70
1.20	14.90	16.89
1.26	15.20	17.02
1.32	15.48	17.14
1.38	15.77	17.24
1.44	16.04	17.34
1.50	16.29	17.44
1.56	16.52	17.55
1.62	16.74	17.66
1.68	16.97	17.75
1.74	17.19	17.83

## 2. VSWR





### 3. Cross Polarization Isolation



### 4. Pattern

