

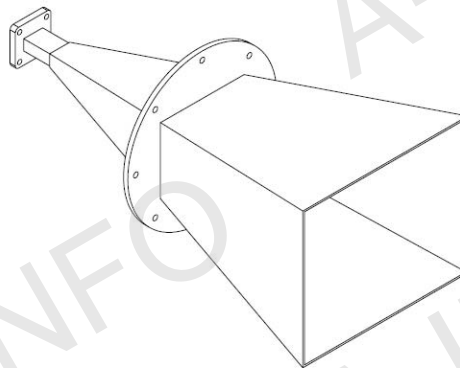
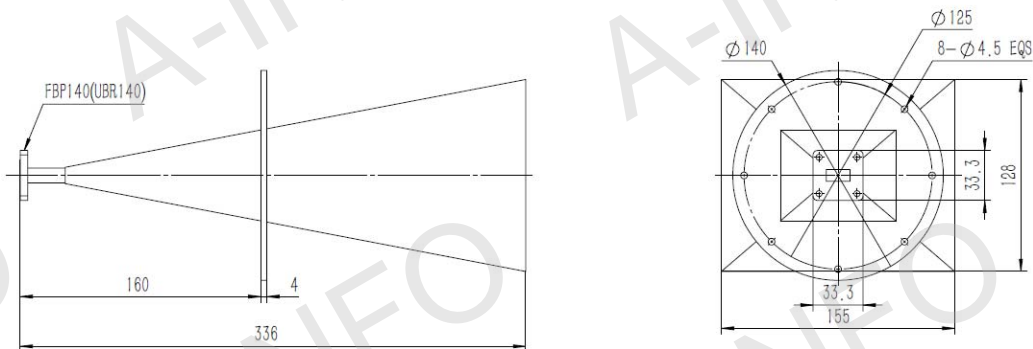
Technical Specification



Frequency Range(GHz)	12.4 - 18.0	
Waveguide	WR62	
Gain(dBi)	25 Typ.	
Polarization	Linear	
3dB Beamwidth(deg)	10 Typ.	
Cross Pol. Isolation(dB)	45 Typ.	
VSWR	A2 Type:	1.10:1 Typ.
	C2 Type:	1.25:1 Typ.
Output	A2 Type:	FBP140(UBR140)
	C2 Type:	SMA/N/TNC/7mm/3.5mm
Material	Al	
Size(mm)	A2 Type:	336 x 155 x 140
	C2 Type:	363 x 155 x 140
Net Weight(Kg)	A2 Type:	0.40 Around
	C2 Type:	0.45 Around

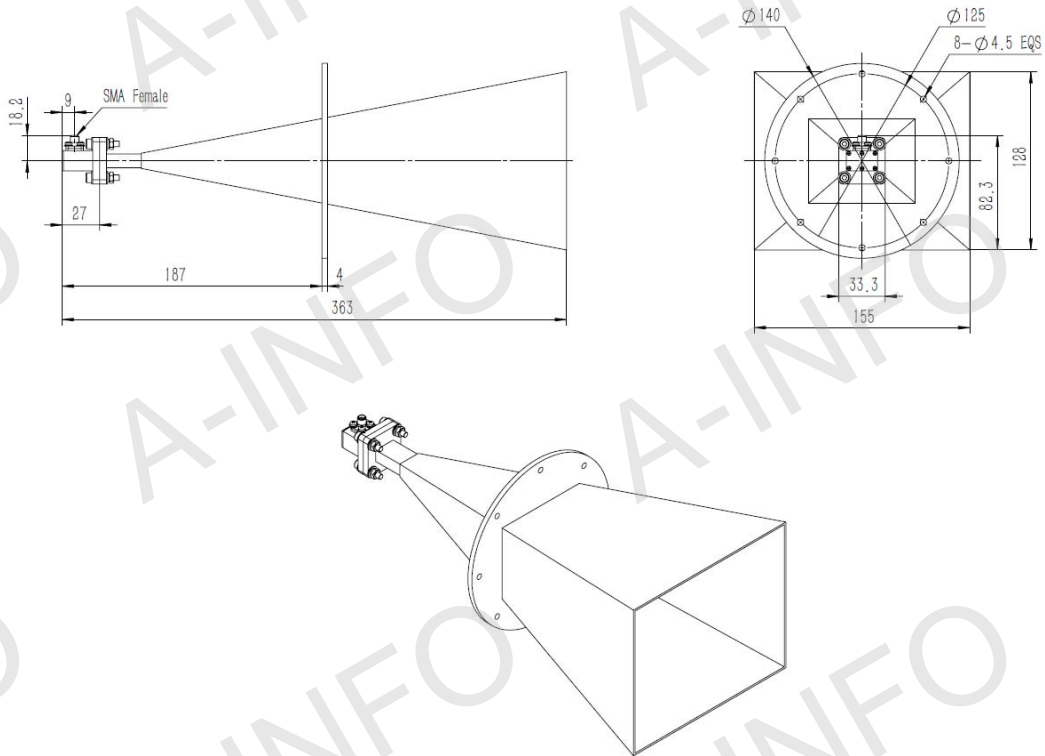
Outline Drawing (Size: mm)

A2 Type (With FBP140 Output)



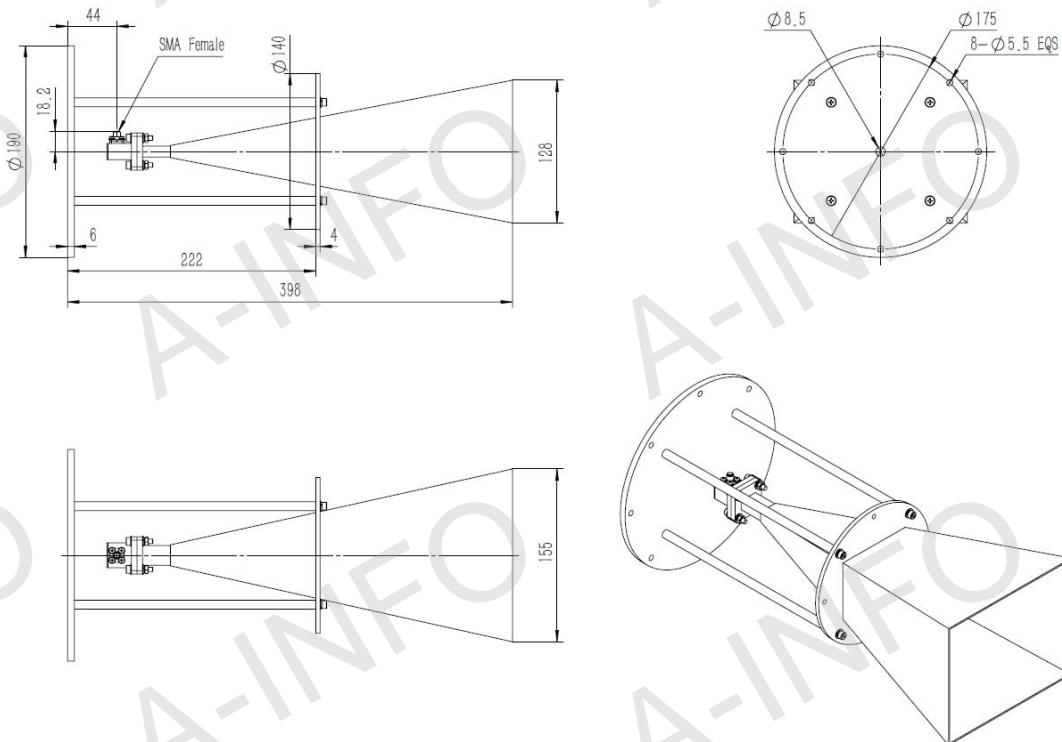
C2 Type (With SMA-Female Output)

For N-Female, TNC-Female, 7mm-Female or 3.5mm-Female output outline drawing, please contact A-INFO.



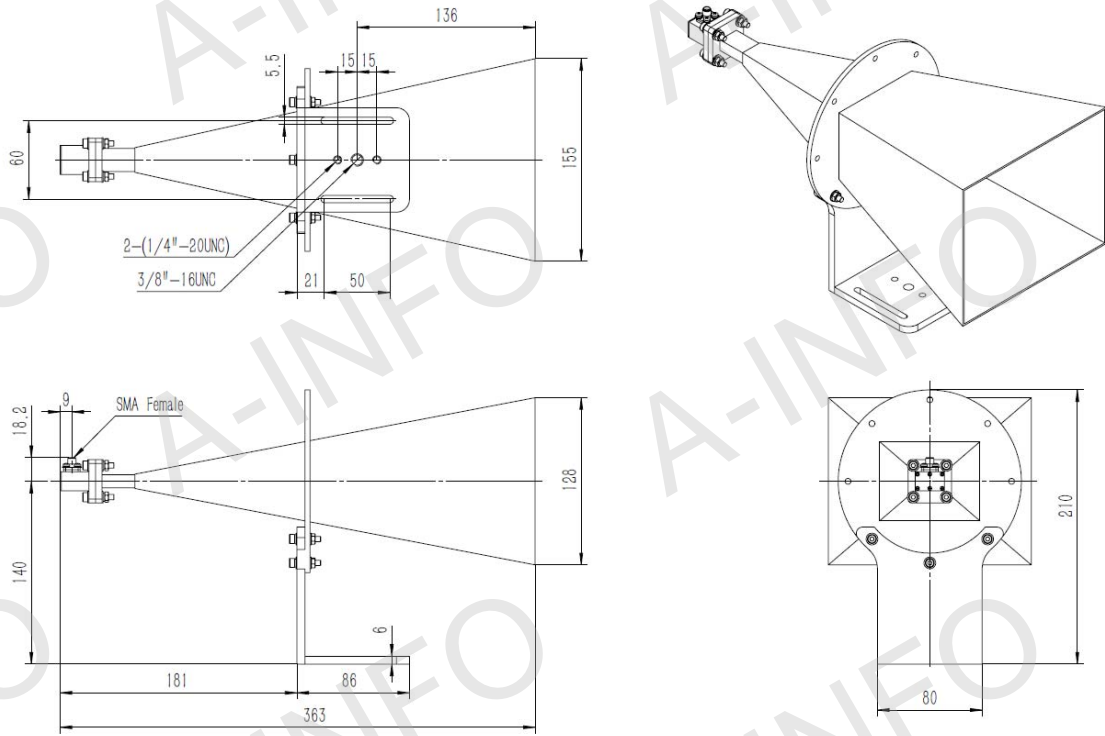
C2 Type (With SMA-Female Output & Round Mounting Bracket)

For N-Female, TNC-Female, 7mm-Female or 3.5mm-Female output outline drawing, please contact A-INFO.

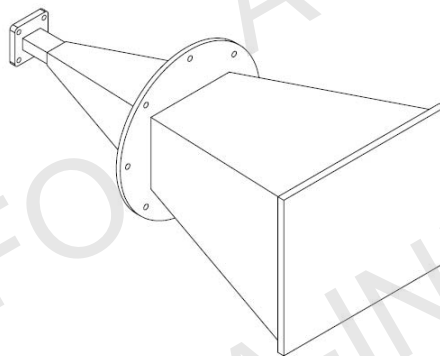
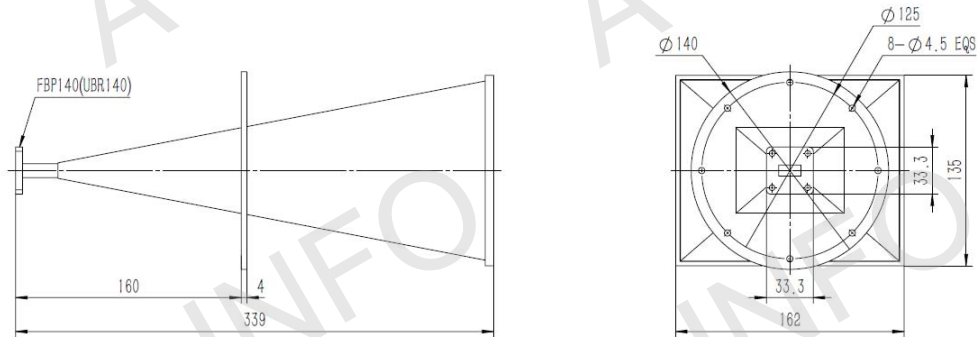


C2 Type (With SMA-Female Output & L Type Mounting Bracket)

For N-Female, TNC-Female, 7mm-Female or 3.5mm-Female output outline drawing, please contact A-INFO.

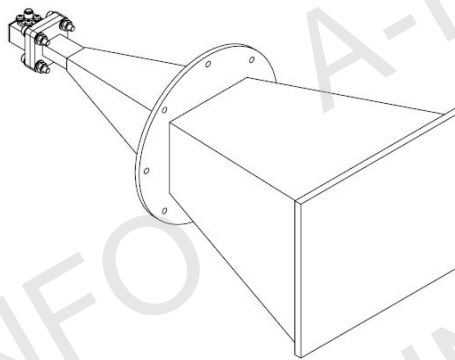
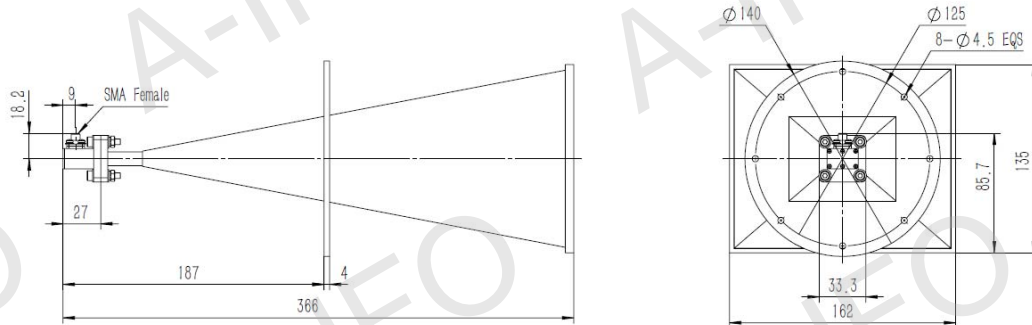


A2 Type (With Radome)



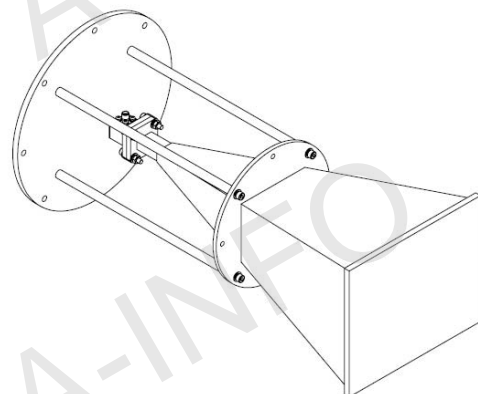
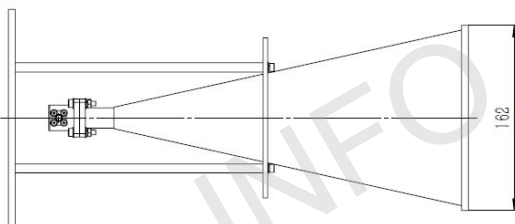
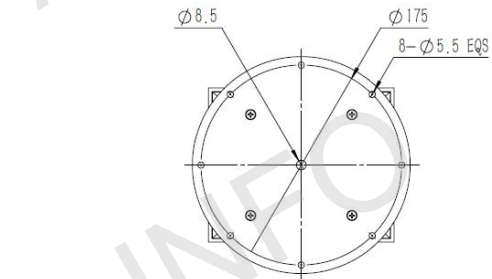
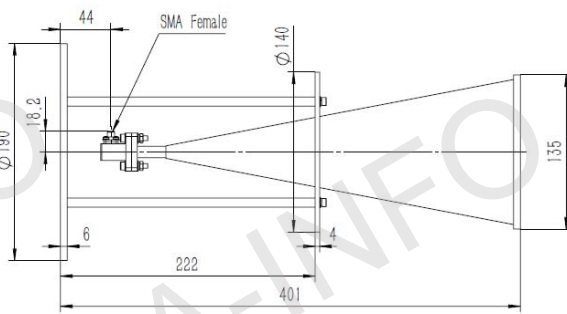
C Type (With SMA-Female Output & Radome)

For N-Female, TNC-Female, 7mm-Female or 3.5mm-Female output outline drawing, please contact A-INFO.



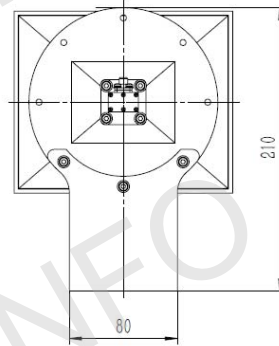
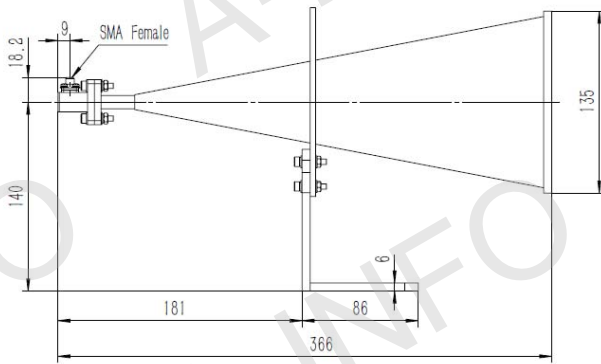
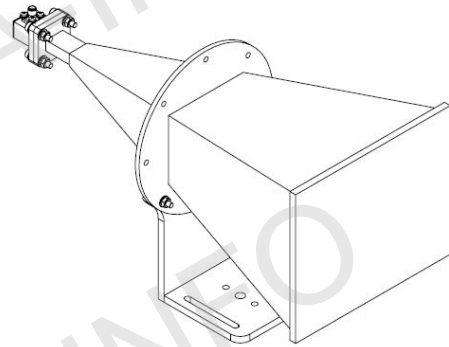
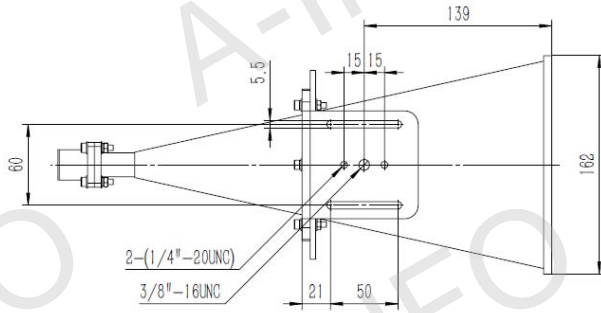
C2 Type (With SMA-Female Output & Round Mounting Bracket & Radome)

For N-Female, TNC-Female, 7mm-Female or 3.5mm-Female output outline drawing, please contact A-INFO.

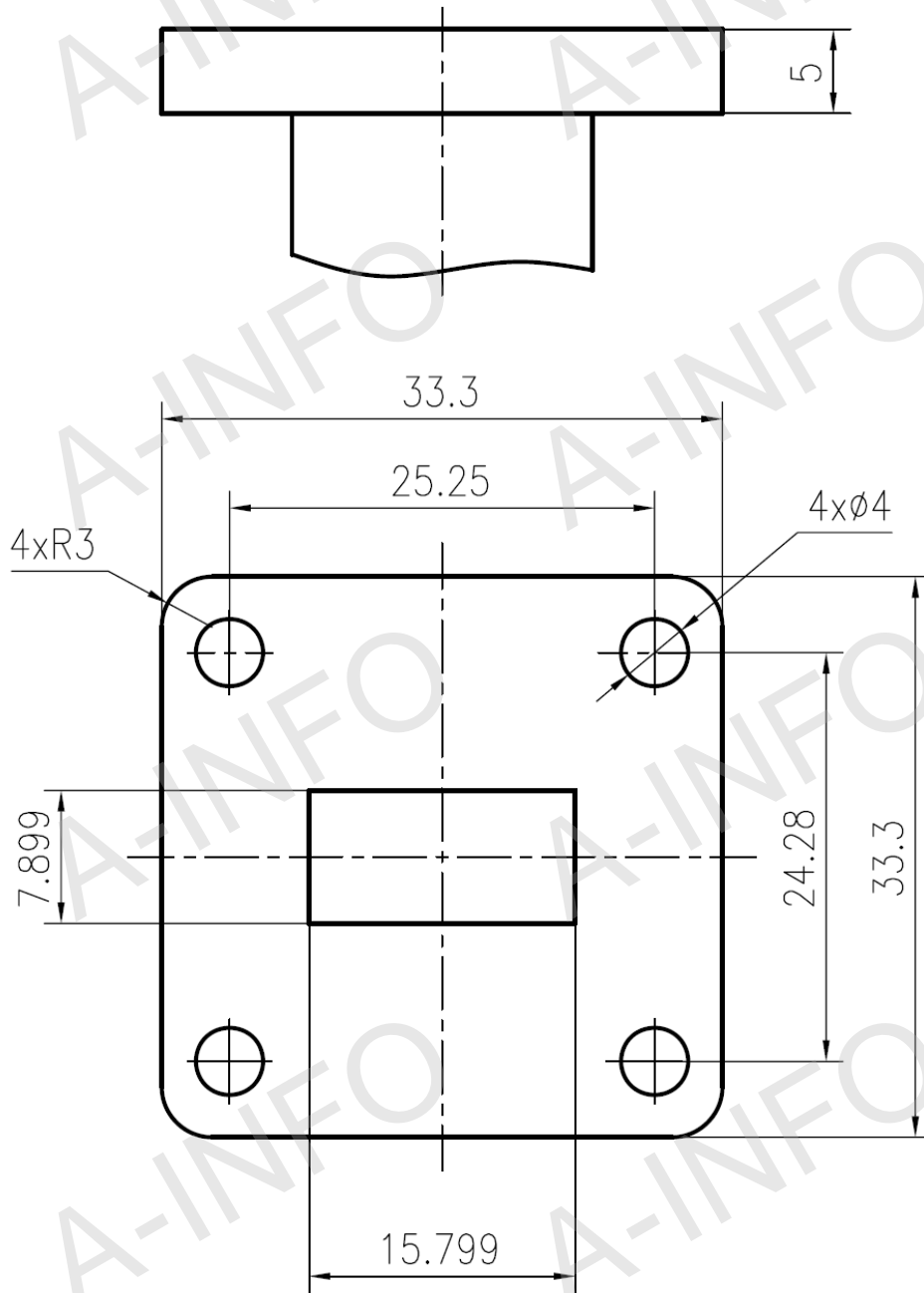


C2 Type (With SMA-Female Output & L Type Mounting Bracket & Radome)

For N-Female, TNC-Female, 7mm-Female or 3.5mm-Female output outline drawing, please contact A-INFO.



Flange Drawing (Size: mm)



FBP140

AINFO Inc.

Page 6 of 12

China(Beijing):
China(Chengdu):
USA :

Tel: (+86) 10-6266-7326,
Tel: (+86) 28-8519-2786,
Tel: (+1) 949-639-9688,

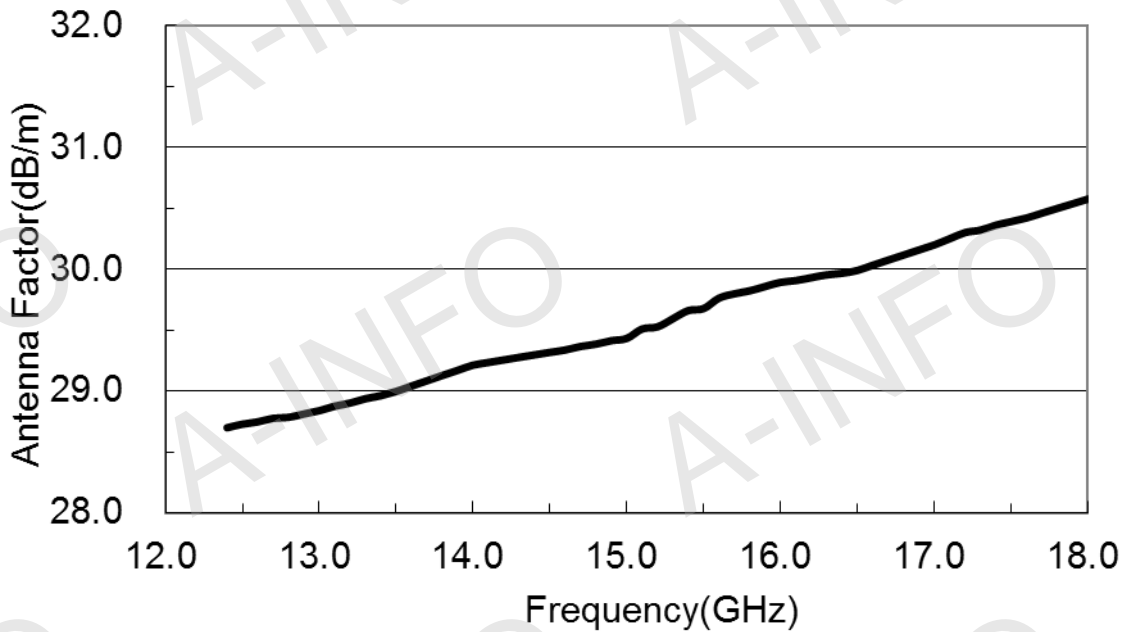
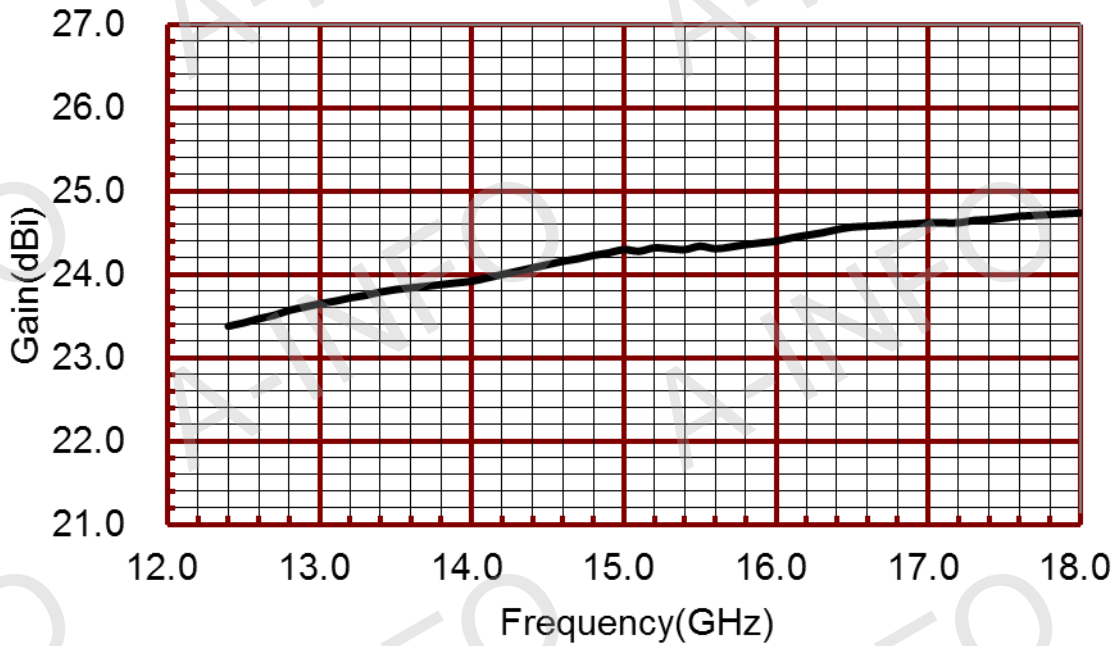
(+86) 10-6266-7327
(+86) 28-8519-3044
(+1) 949-639-9608

Fax: (+86) 10-6266-7379
Fax: (+86) 28-8519-3068
Fax: (+1) 949-639-9670

Website: www.ainfoinc.com
Email: sales@ainfoinc.com

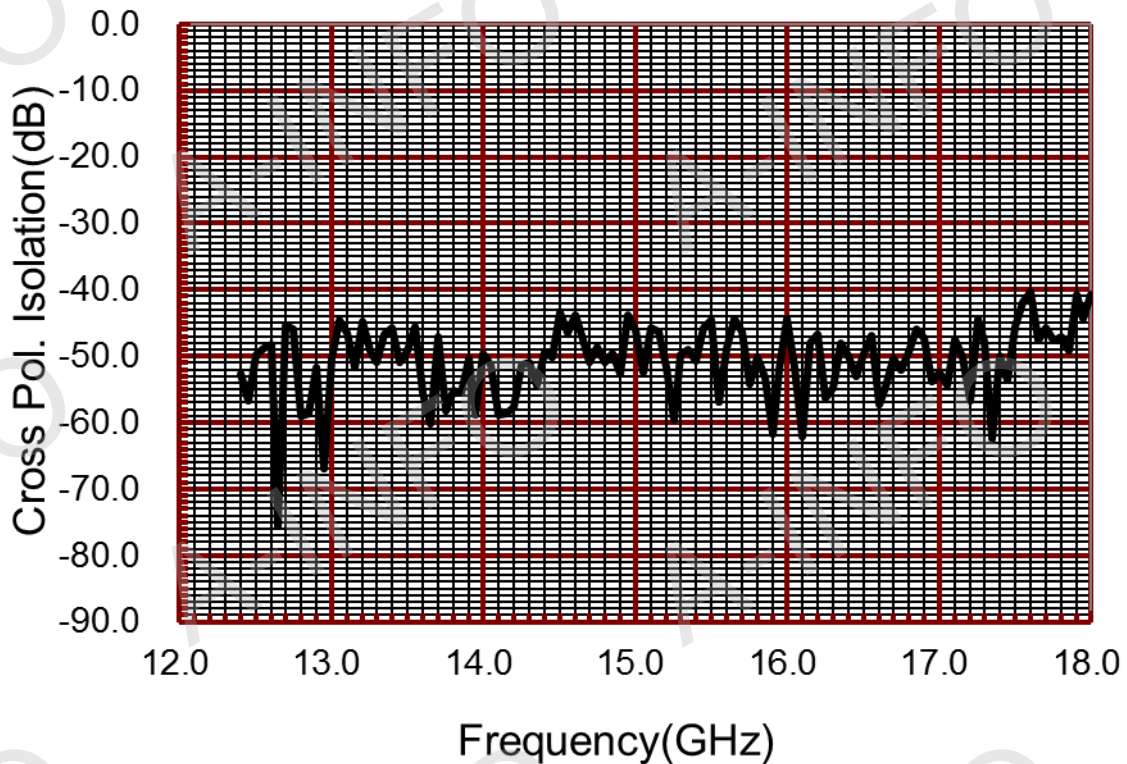
Test Results

1. Gain and Antenna Factor

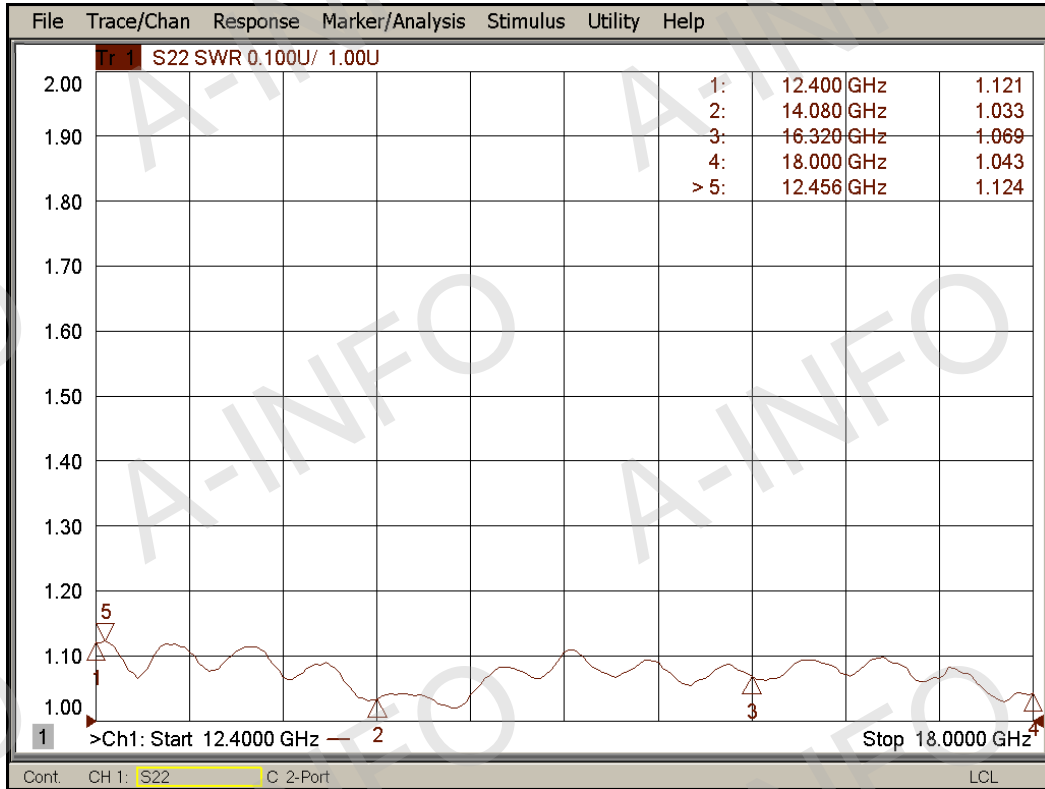


Frequency(GHz)	Gain(dB)	Antenna Factor(dB/m)
12.40	23.38	28.70
12.50	23.42	28.73
13.00	23.65	28.84
13.50	23.82	29.00
14.00	23.92	29.21
14.50	24.12	29.32
15.00	24.30	29.43
15.50	24.34	29.68
16.00	24.40	29.89
16.50	24.57	29.99
17.00	24.62	30.20
17.50	24.68	30.39
18.00	24.74	30.58

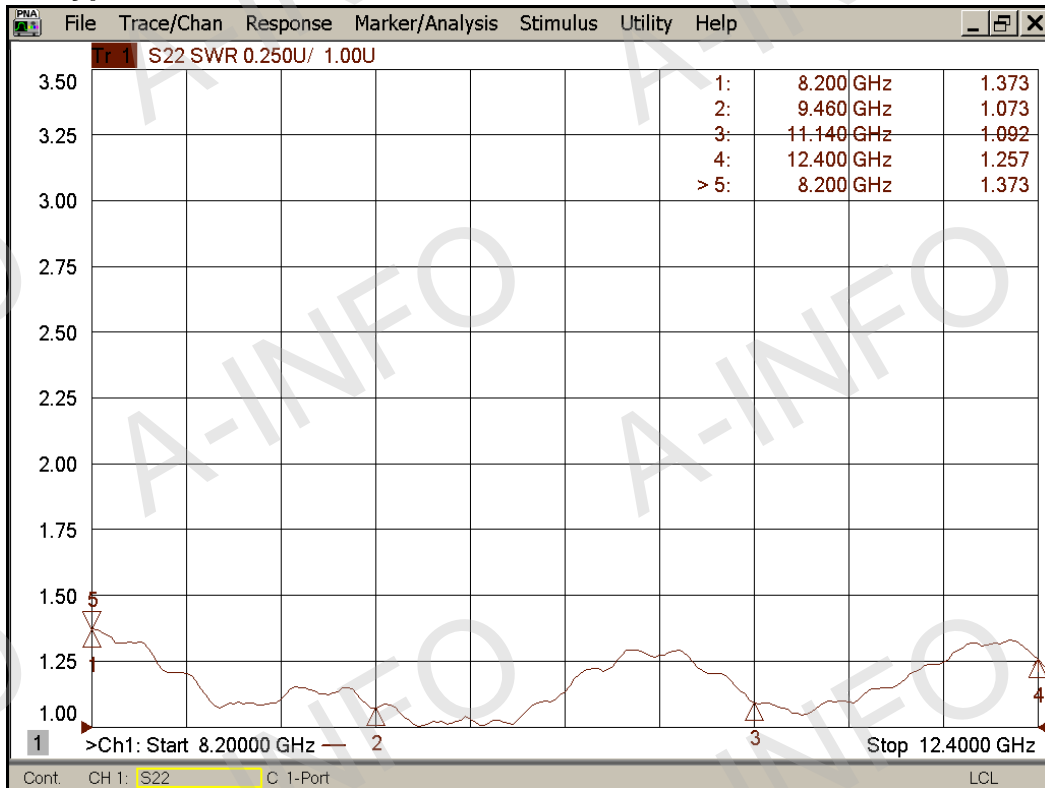
2. Cross Polarization Isolation



3. VSWR_A2 Type



VSWR_C2 Type



4. Pattern

