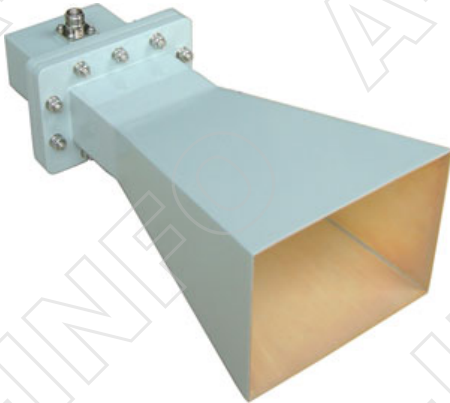


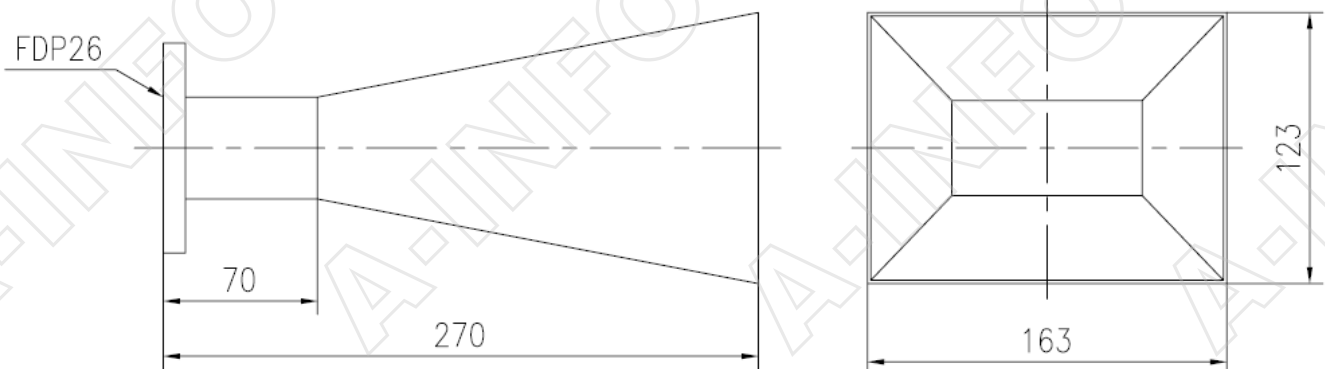
## Technical Specification



Frequency Range(GHz)	2.20 - 3.30
Gain(dB)	10 Typ.
3dB Beamwidth(deg)	55 Typ.
Waveguide	WR340
Material	Al
Output	A Type: FDP26 C Type: N-F or SMA-F or 7/16-F
Size(mm) W x H x L	A Type: 163x123x270 C Type: 163x123x362
Net Weight(Kg)	A Type: 0.7 Around C Type: 1.5 Around

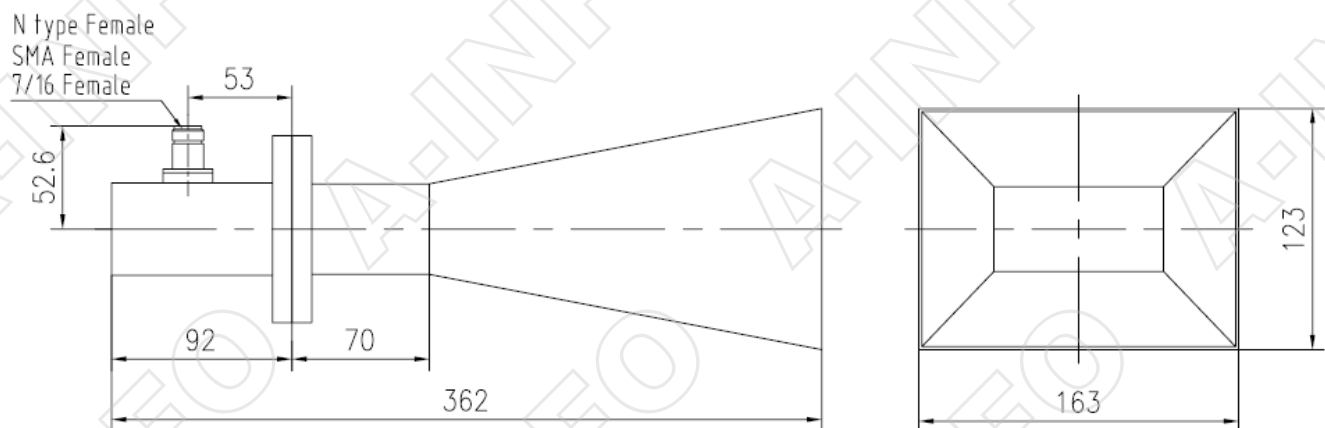
## Outline Drawing (Size: mm)

### A Type



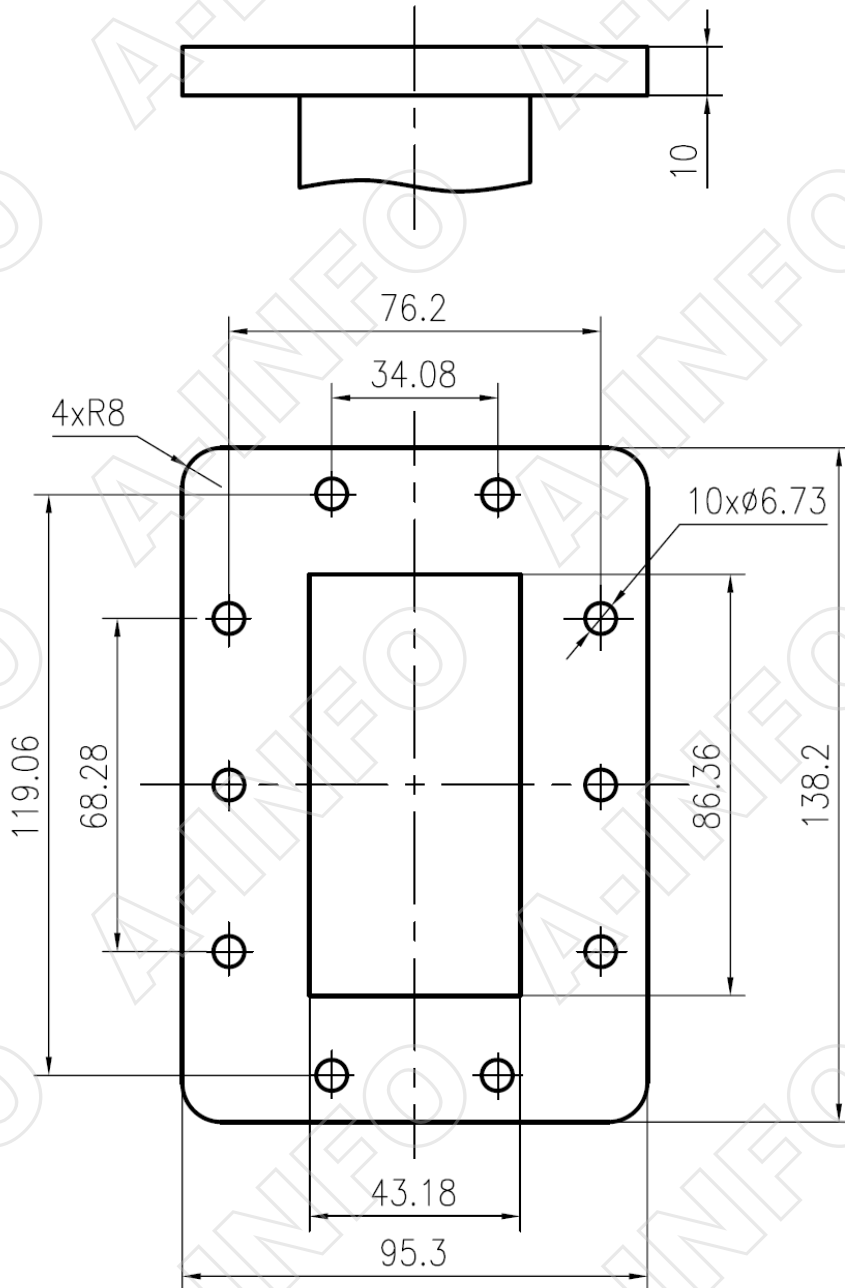
W x H x L: 163x123x270

### C Type



W x H x L: 163x123x362

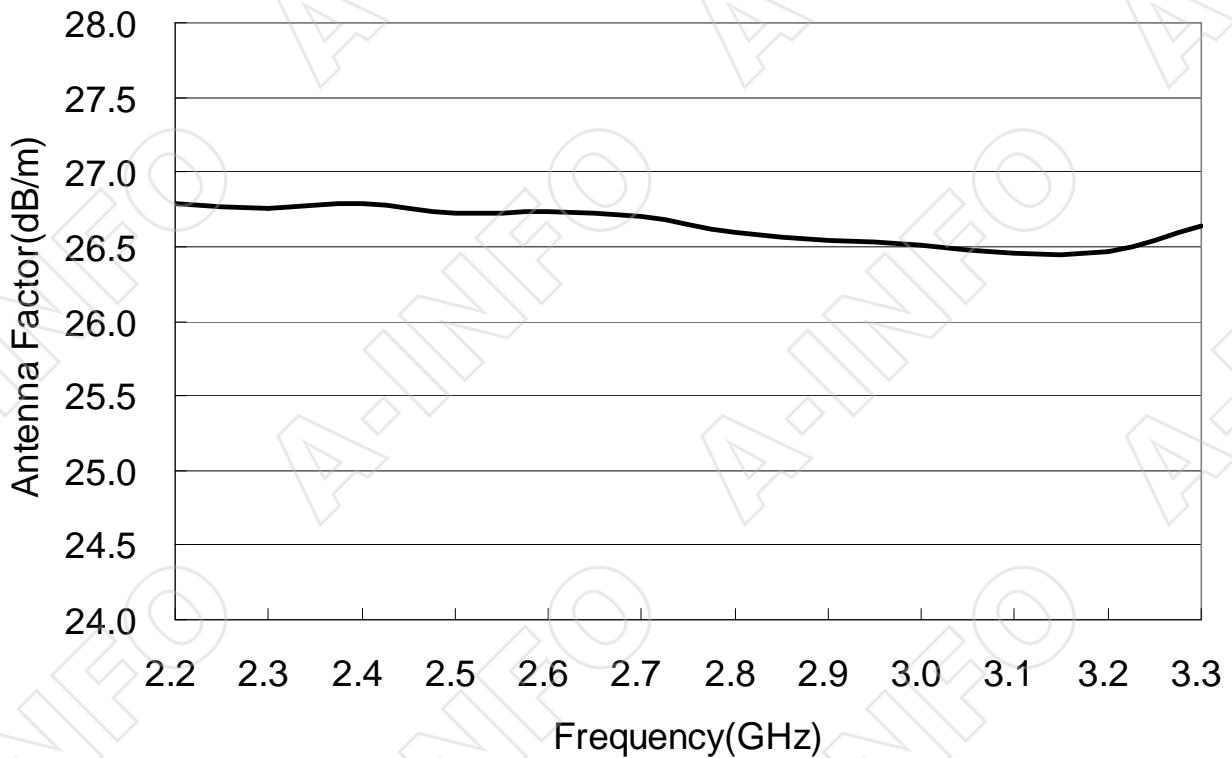
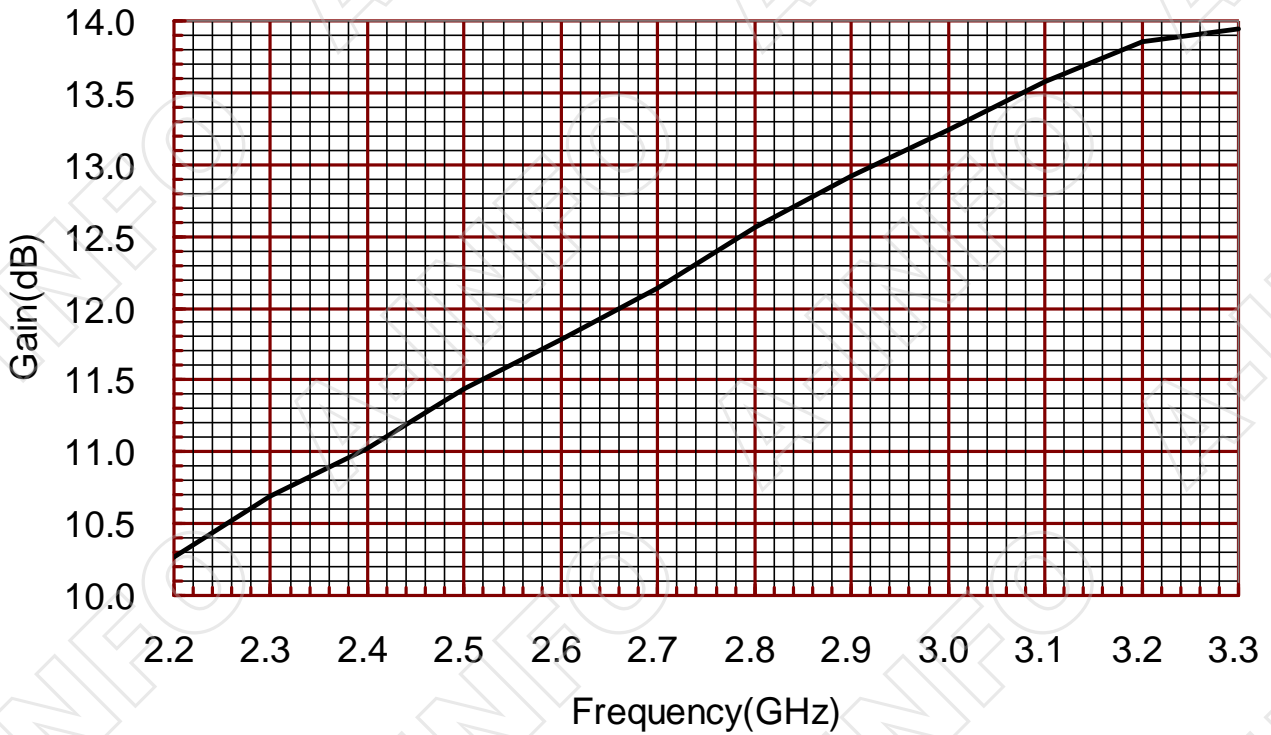
## Flange Drawing (Size: mm)



## FDP26

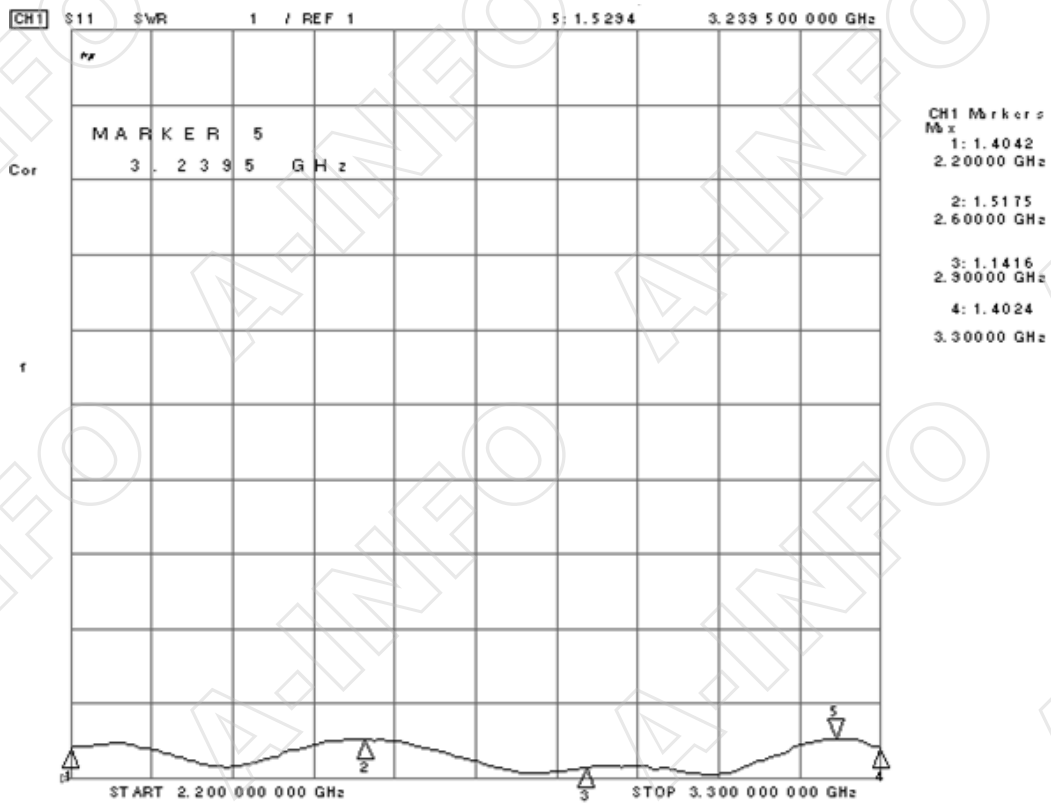
## Test Results

### 1. Gain and Antenna Factor

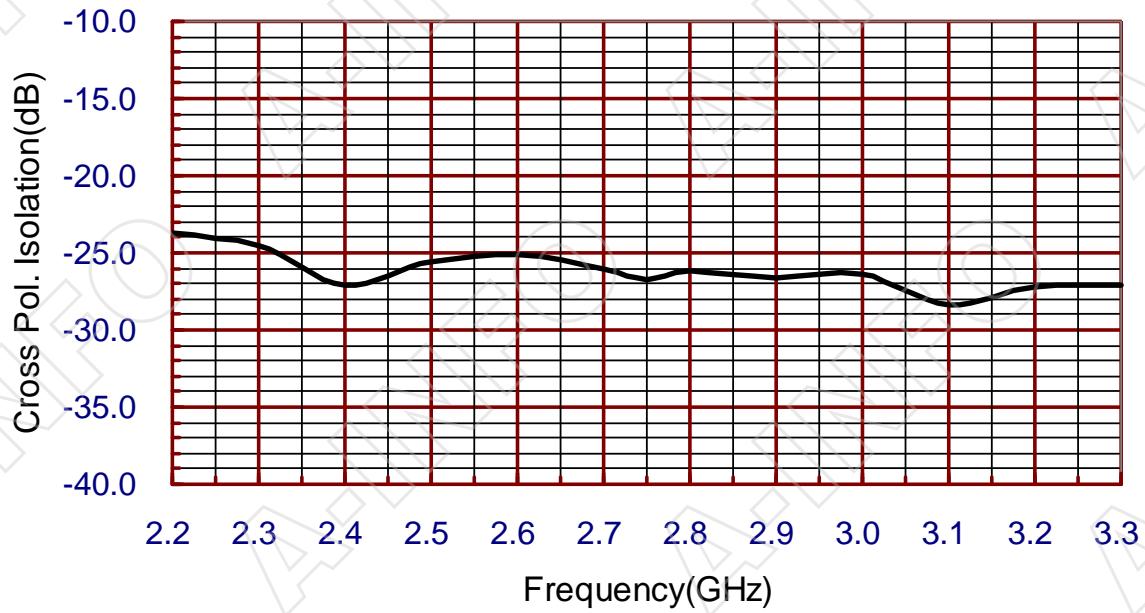


Frequency(GHz)	Gain(dB)	Antenna Factor(dB/m)
2.2	10.27	26.79
2.3	10.69	26.75
2.4	11.03	26.78
2.5	11.44	26.73
2.6	11.78	26.73
2.7	12.14	26.70
2.8	12.56	26.59
2.9	12.92	26.54
3.0	13.24	26.51
3.1	13.58	26.46
3.2	13.85	26.46
3.3	13.94	26.64

## 2. VSWR



### 3. Cross Polarization Isolation



### 4. Pattern

