

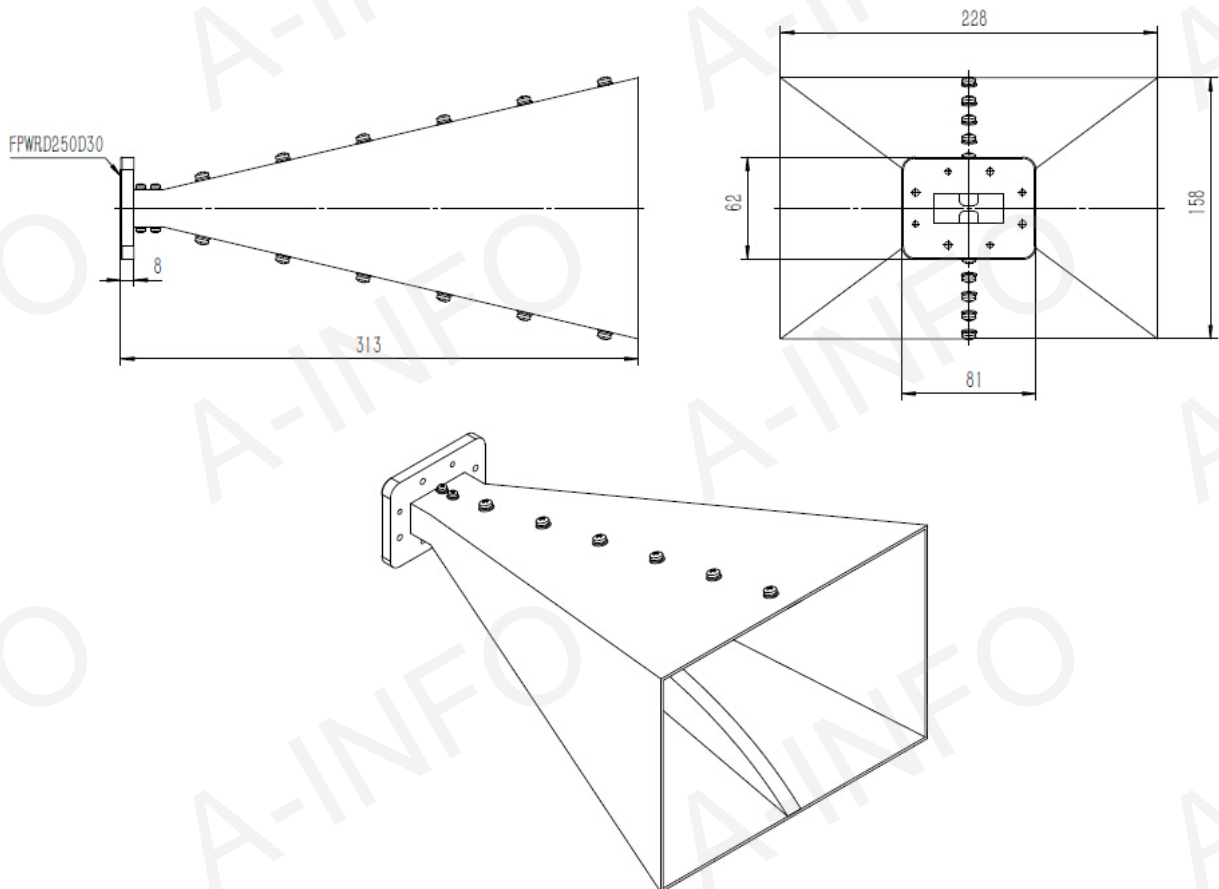
## Technical Specification



Frequency Range(GHz)	2.6 - 7.8
Gain(dB)	15 Typ.
Polarization	Linear
VSWR	2.0 Max
Cross Polarization Isolation(dB)	-25 Max
Waveguide(A Type)	WRD250D24
Adapter(C Type)	250DRWCASN / 250DRWCAS
Connector(C Type)	N-F/SMA-F
Size(mm)	228x158x380 (Including Adapter)
Net Weight(Kg)	1.5 Around (Including Adapter)

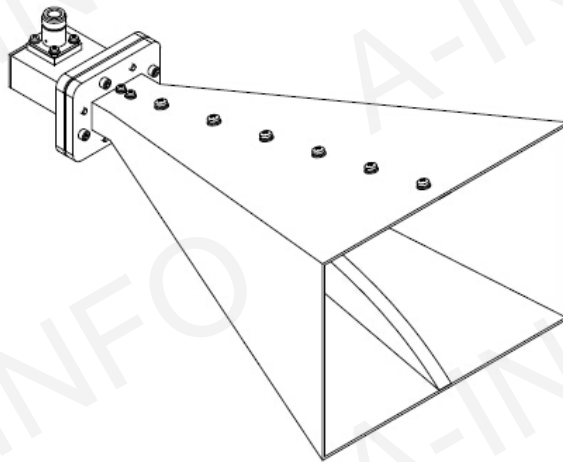
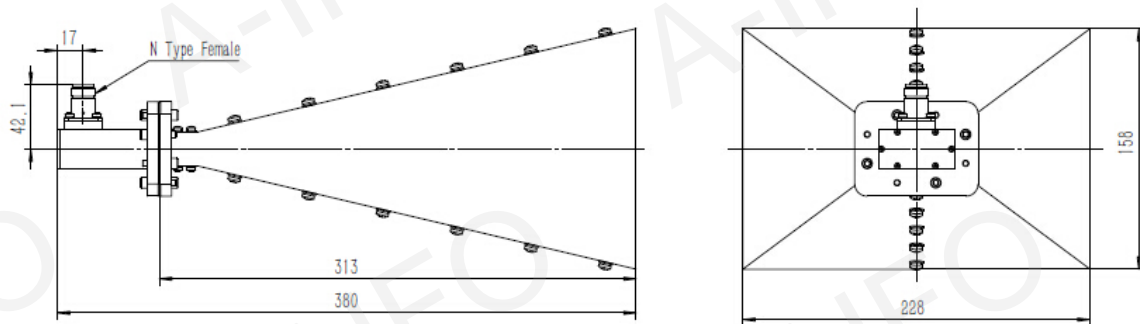
## Outline Drawing (Size: mm)

A Type(With WRD250D24 Output)



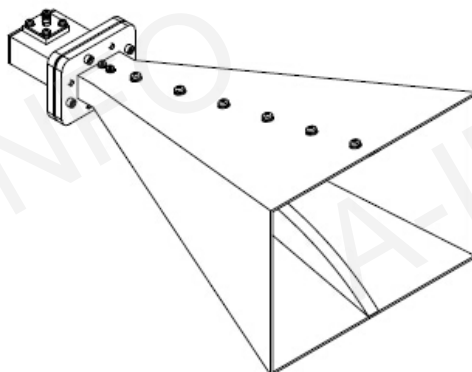
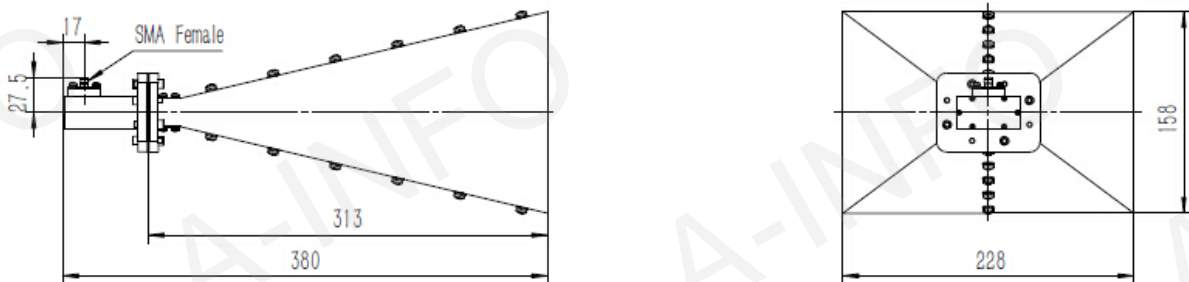
## C Type (With N-Female Output)

For other type output outline drawing, please contact A-INFO.



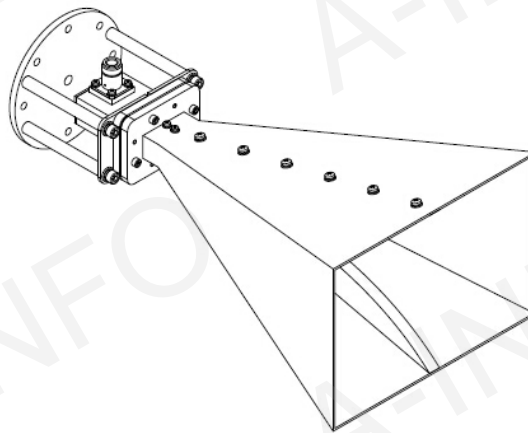
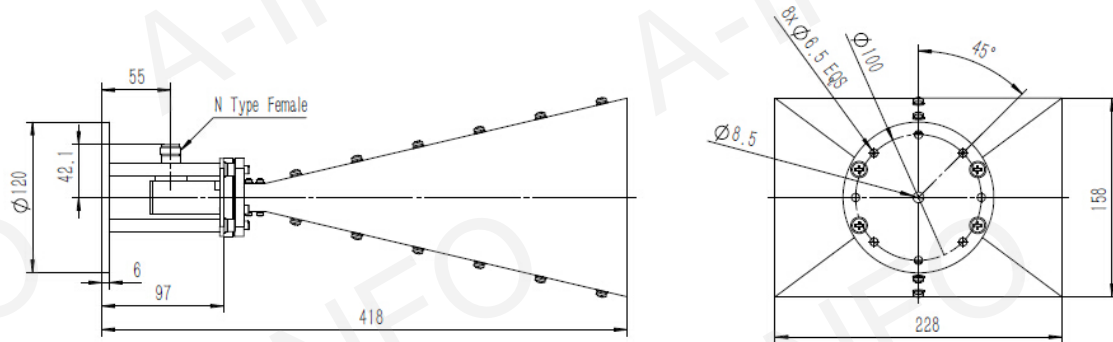
## C Type (With SMA-Female Output)

For other type output outline drawing, please contact A-INFO.



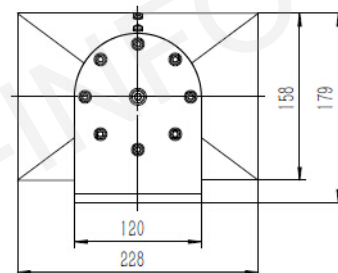
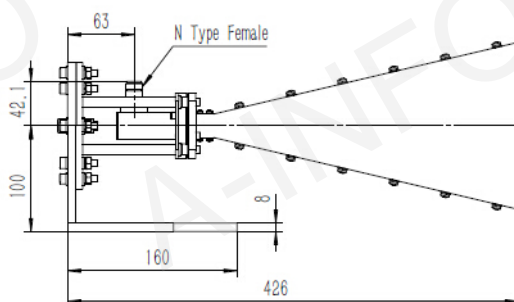
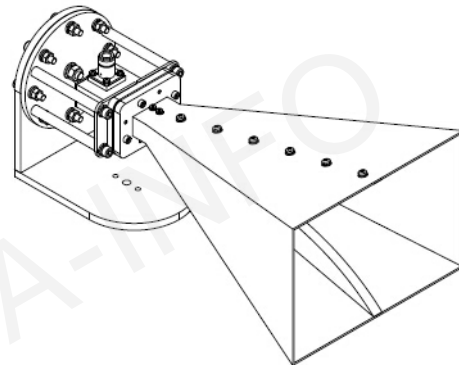
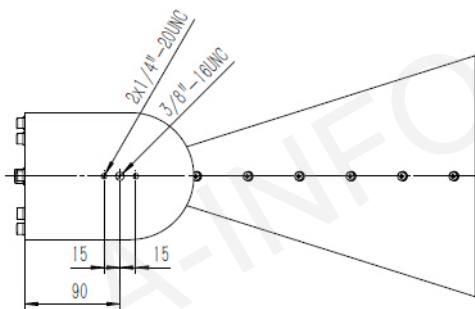
## C Type (With N-Female Output & Round Mounting Bracket)

For other type output outline drawing, please contact A-INFO.



## C Type (With N-Female Output & L Type Mounting Bracket)

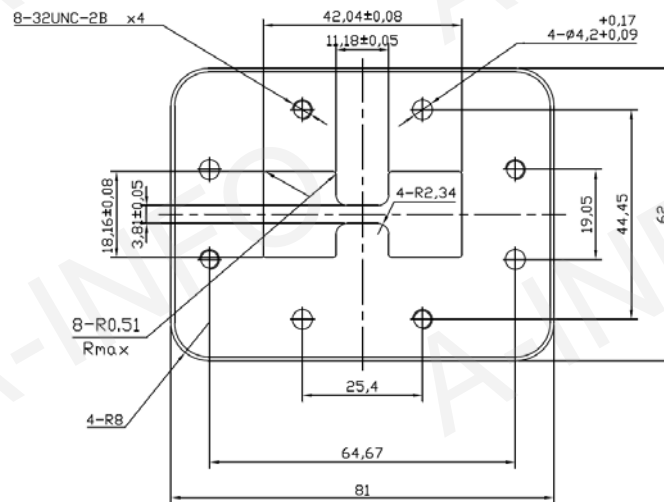
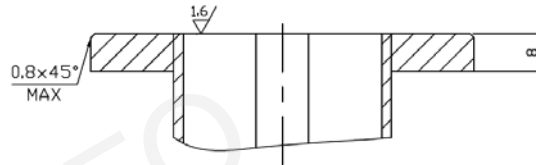
For other type output outline drawing, please contact A-INFO.



## Flange Drawing (Size: mm)

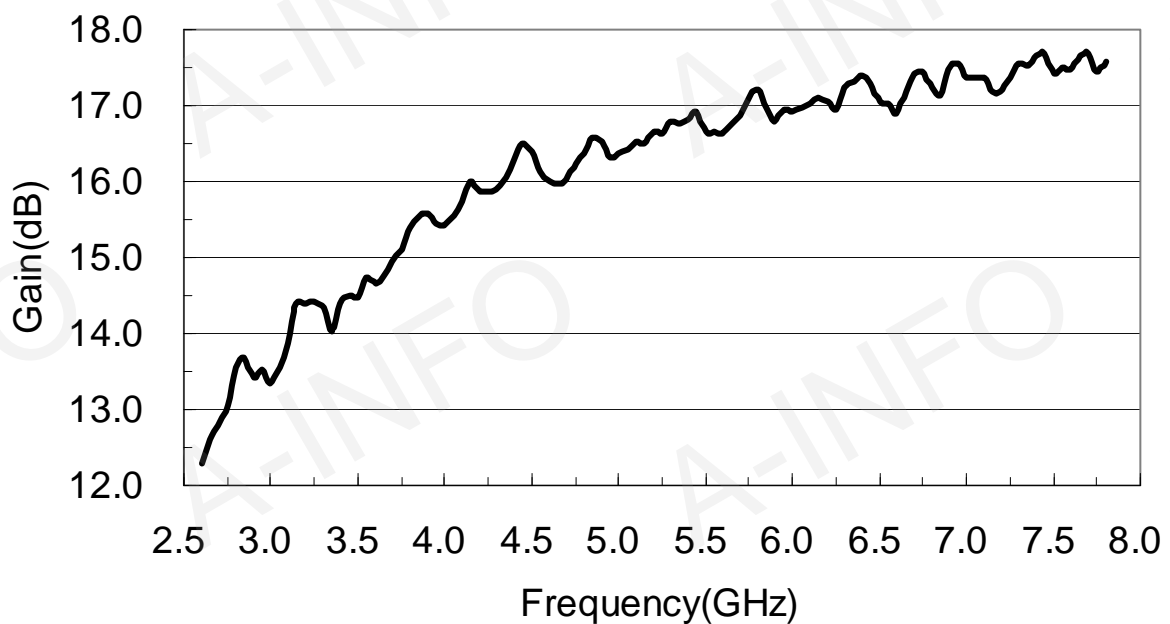
### FPWRD250D30

(With four through mounting holes and four screws holes)

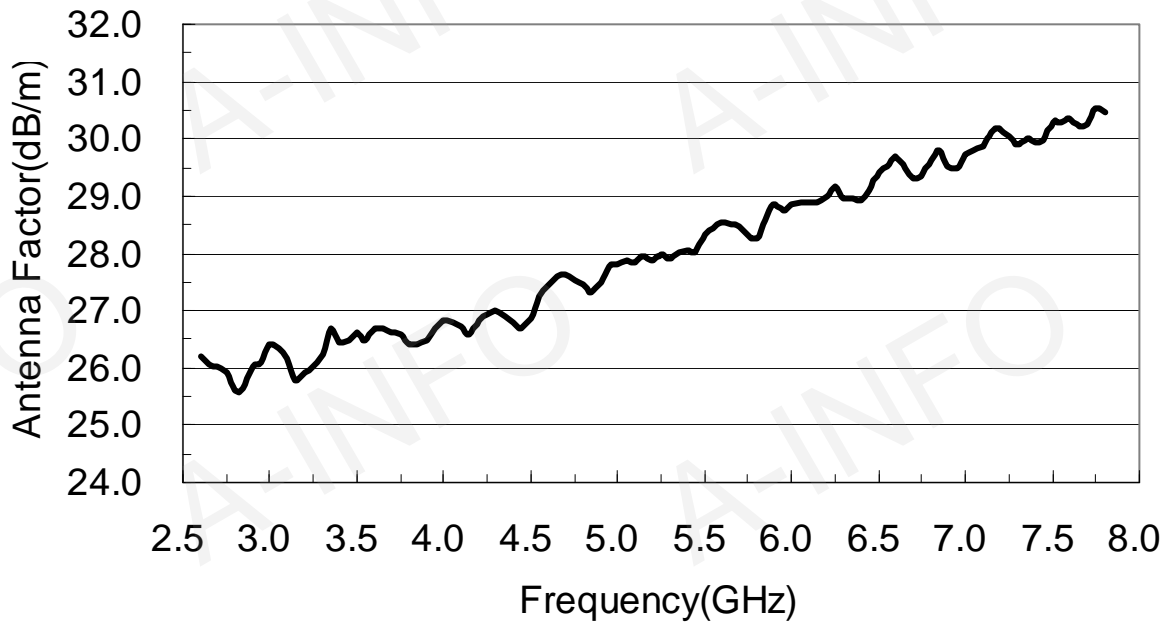


## Test Results

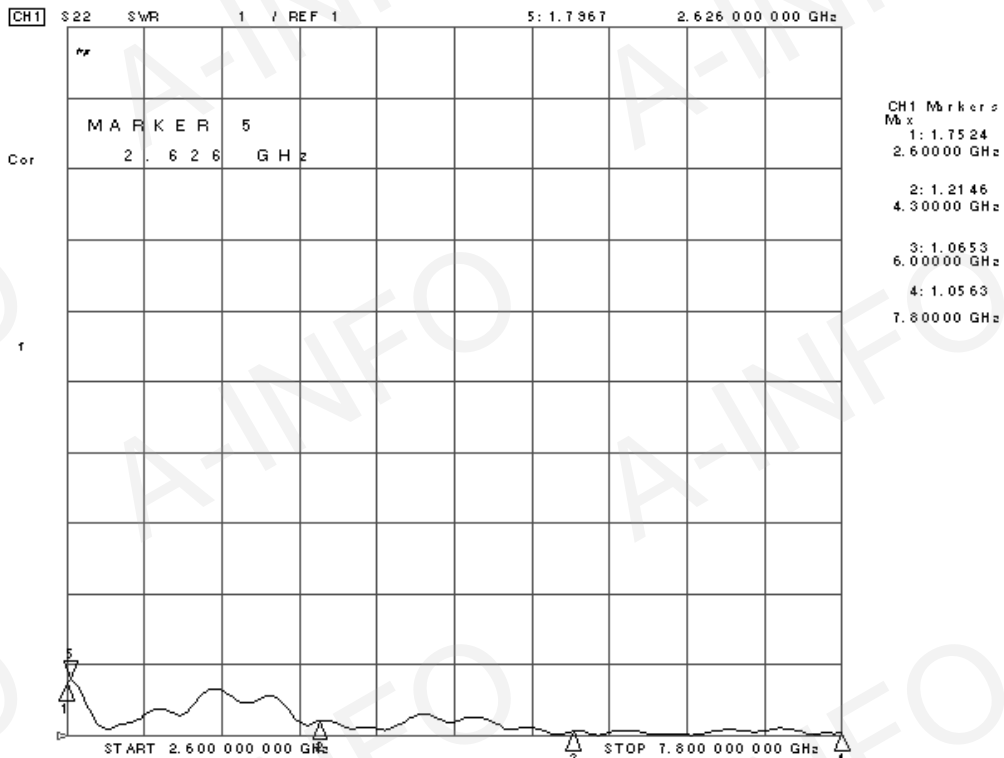
### 1. Gain



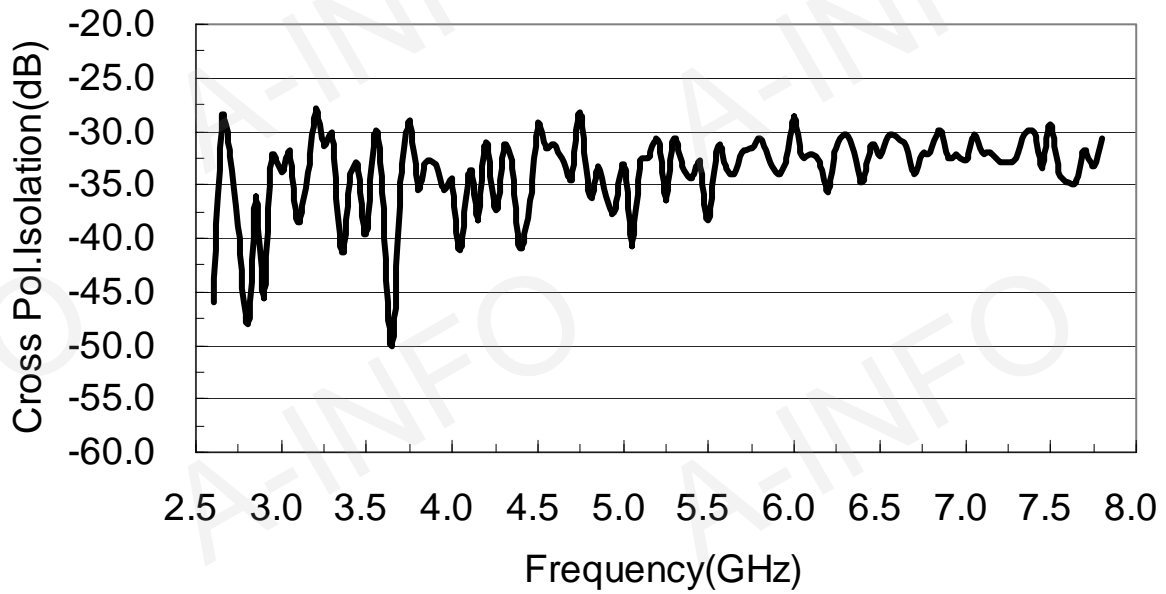
## 2. Antenna Factor



## 3. VSWR



## 4. Cross Polarization Isolation



## 5. Pattern

