

## Technical Specification



Frequency Range(GHz)	3.30 - 4.90
Gain(dB)	15 Typ.
3dB Beamwidth(deg)	30 Typ.
Waveguide	WR229
Material	Al
Output	A Type: FDP40 C Type: N-F or SMA-F
Size(mm) W x H x L	A Type: 211x148x260 C Type: 211x148x325
Net Weight(Kg)	A Type: 0.8 Around C Type: 1.1 Around

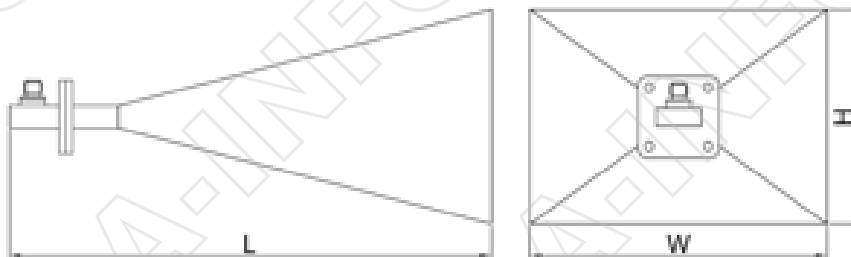
## Outline Drawing (Size: mm)

A Type



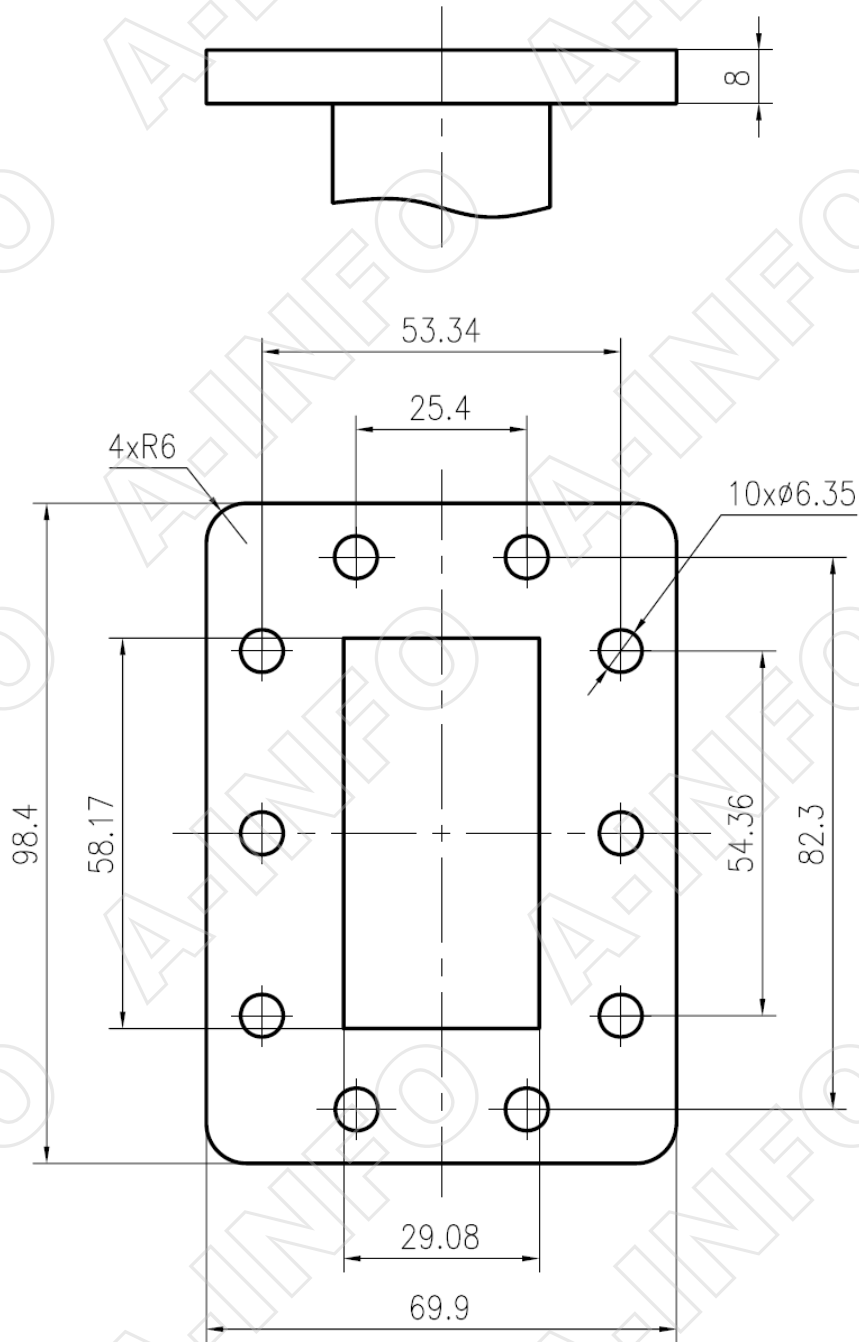
W x H x L: 211x148x260

C Type



W x H x L: 211x148x325

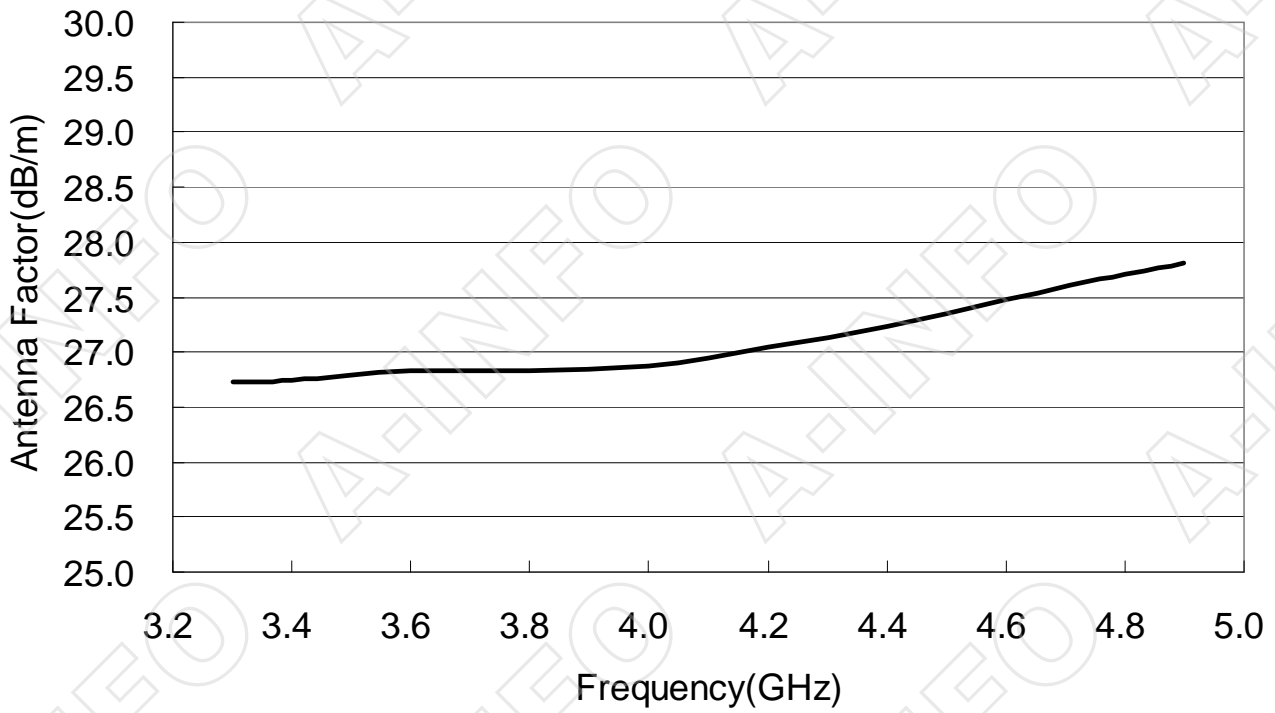
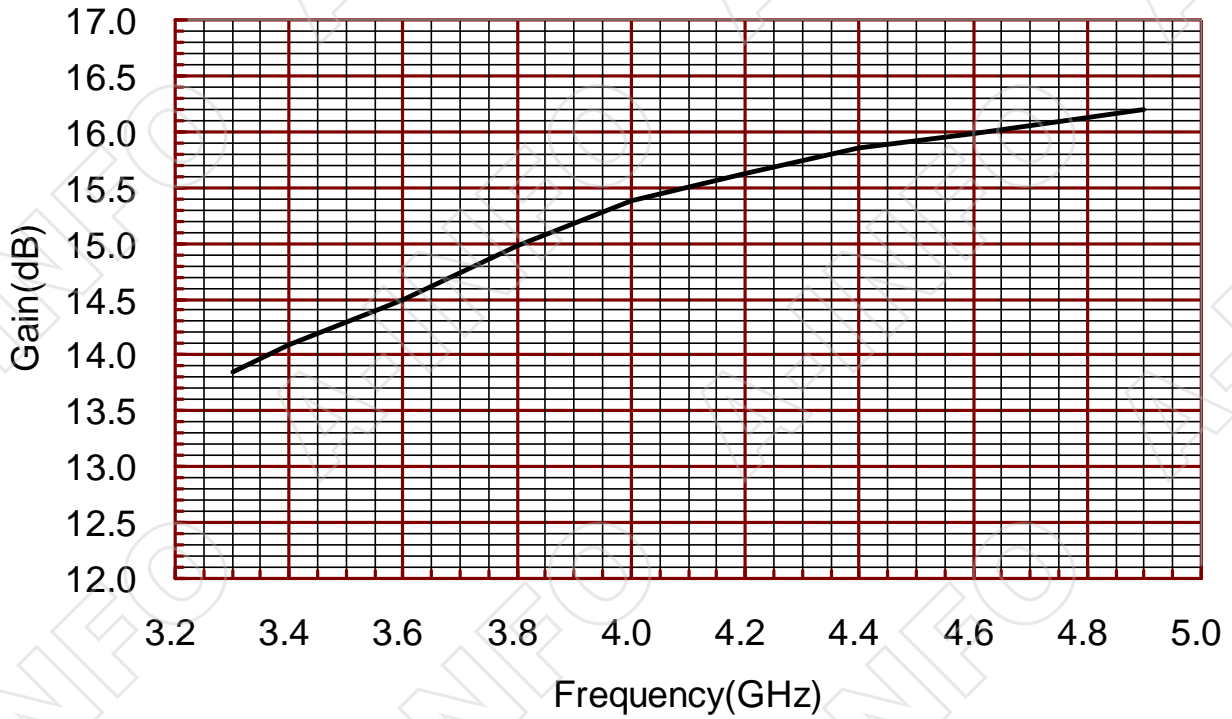
## Flange Drawing (Size: mm)



### FDP40

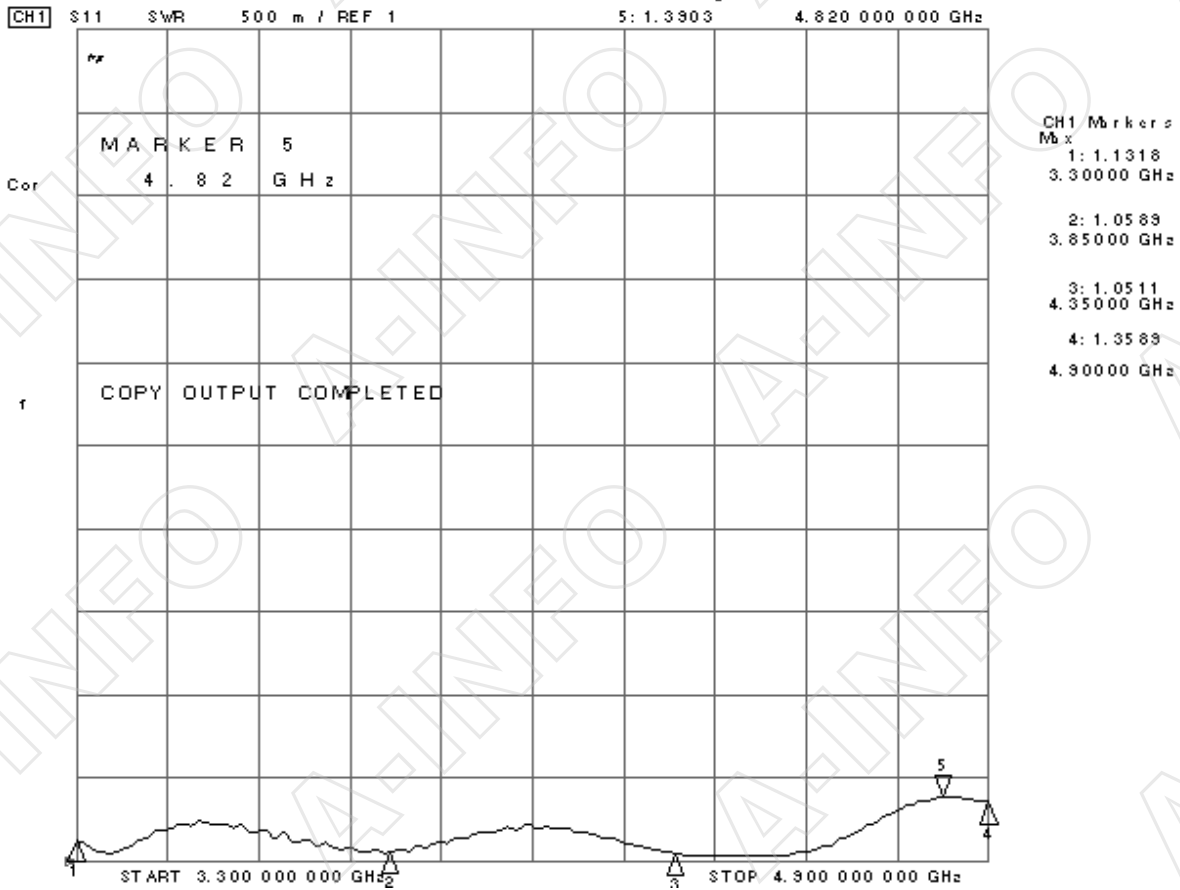
## Test Results

### 1. Gain and Antenna Factor

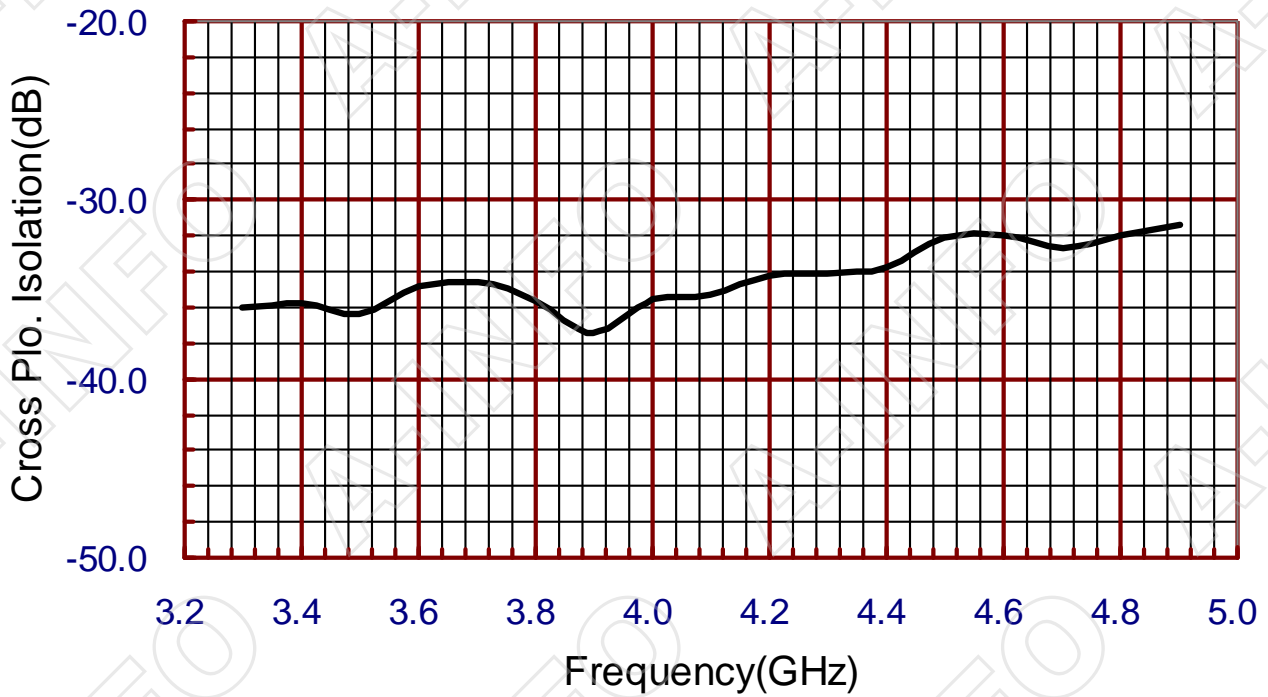


Frequency(GHz)	Gain(dB)	Antenna Factor(dB/m)
3.3	13.85	26.73
3.4	14.09	26.75
3.6	14.50	26.84
3.8	14.98	26.83
4.0	15.38	26.87
4.2	15.63	27.04
4.4	15.85	27.23
4.6	15.98	27.49
4.8	16.13	27.70
4.9	16.20	27.81

## 2. VSWR



### 3. Cross Polarization Isolation



### 4. Pattern

