

Technical Specification



Frequency Range(GHz)	3.30 - 4.90
Gain(dB)	10 Typ.
3dB Beamwidth(deg)	55 Typ.
Waveguide	WR229
Material	Al
Output	A Type: FDP40 C Type: N-F or SMA-F
Size(mm) W x H x L	A Type: 113x79x160 C Type: 113x79x225
Net Weight(Kg)	A Type: 0.3 Around C Type: 0.6 Around

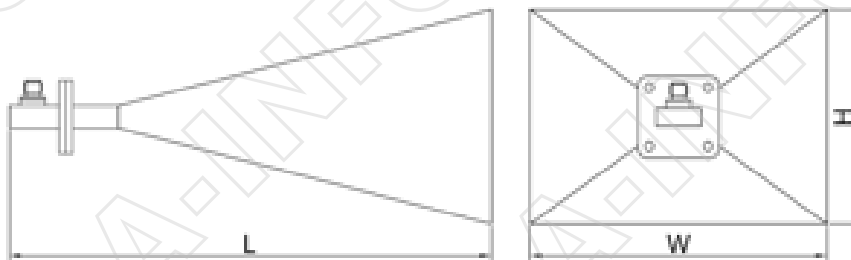
Outline Drawing (Size: mm)

A Type



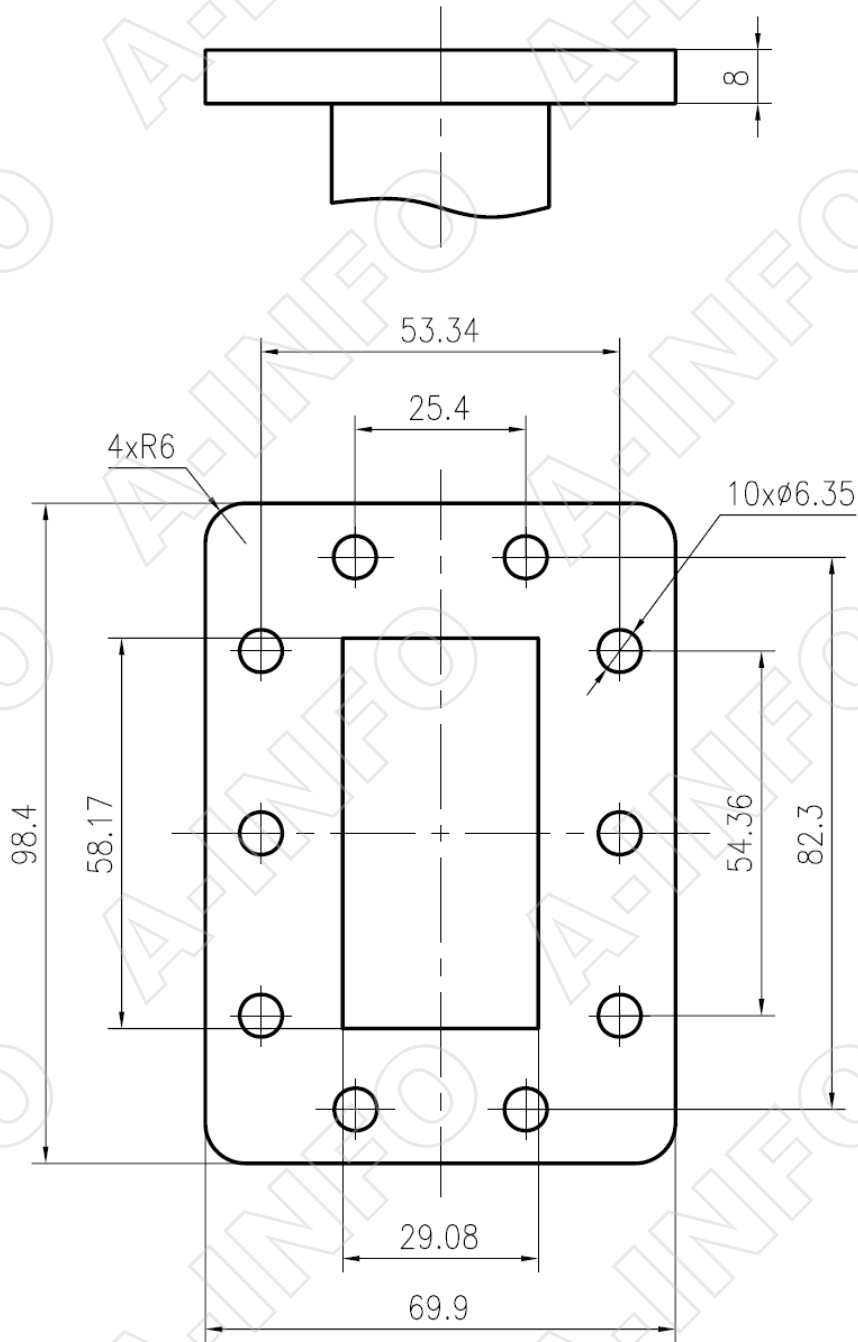
W x H x L: 113x79x160

C Type



W x H x L: 113x79x225

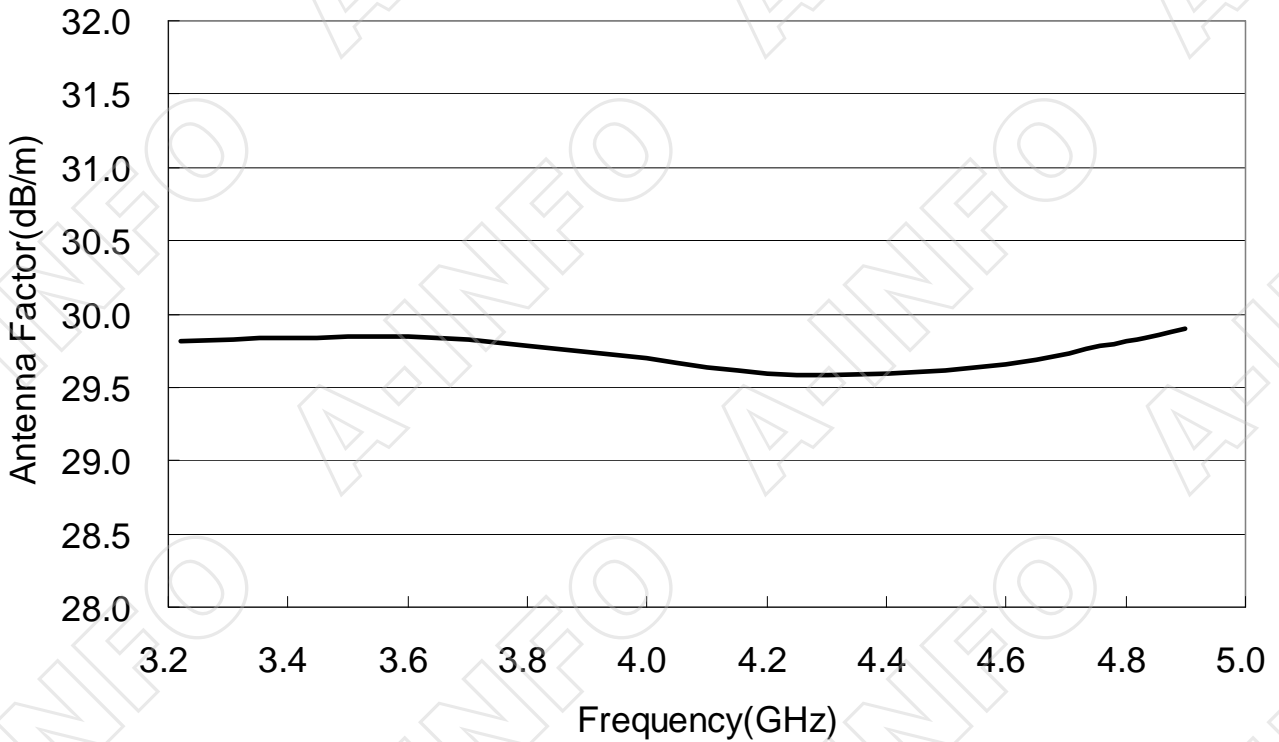
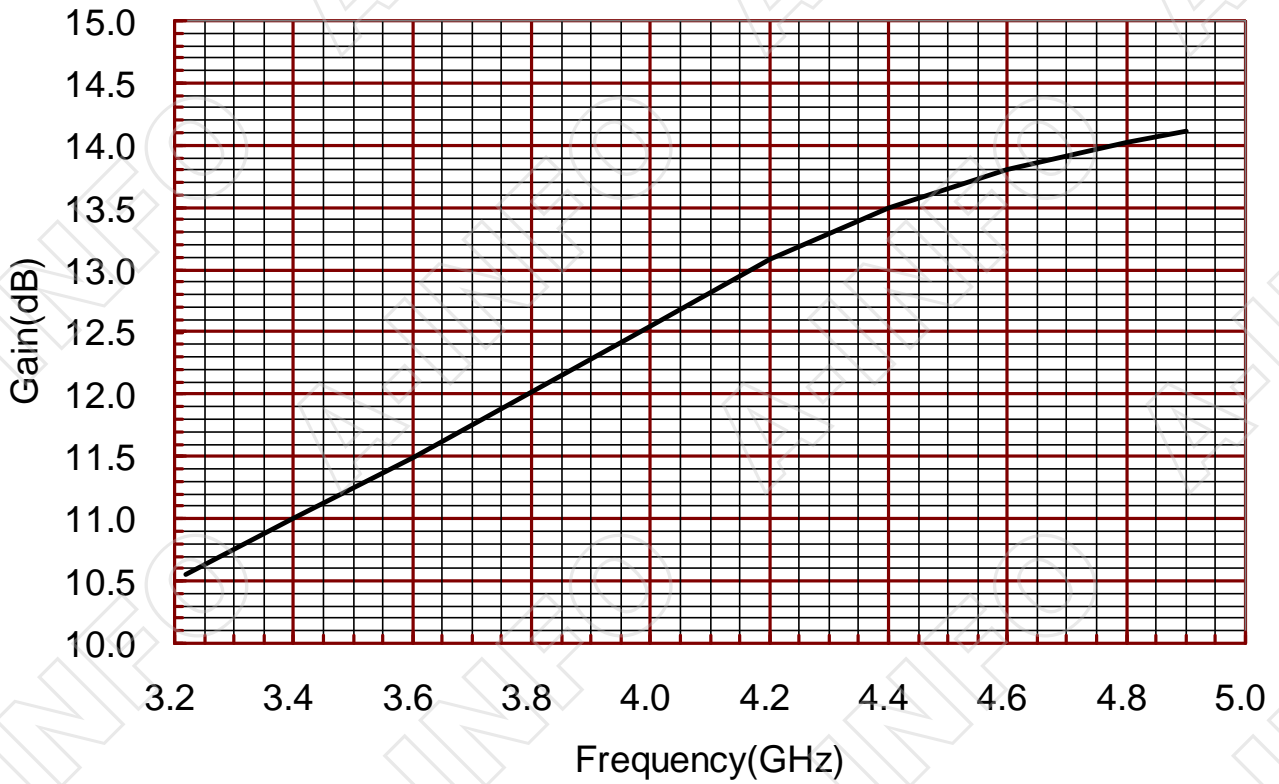
Flange Drawing (Size: mm)



FDP40

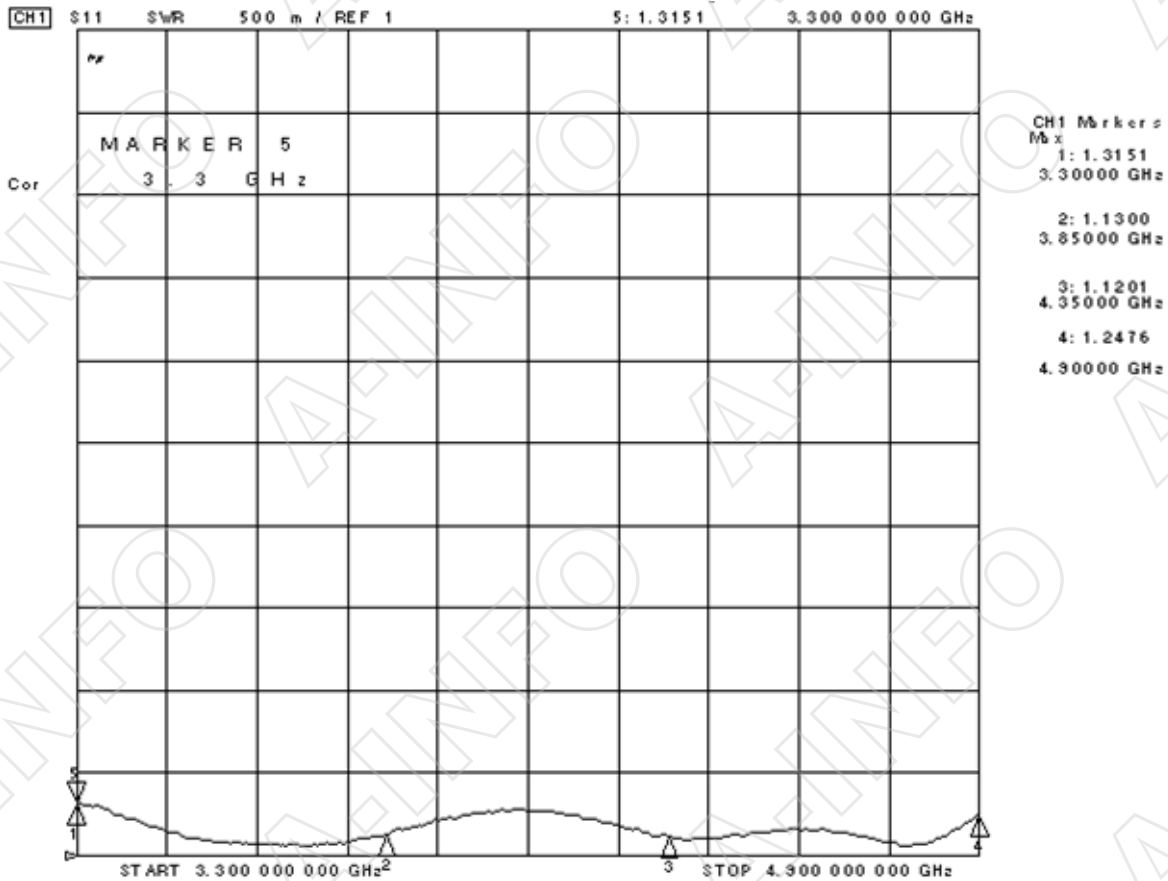
Test Results

1. Gain and Antenna Factor

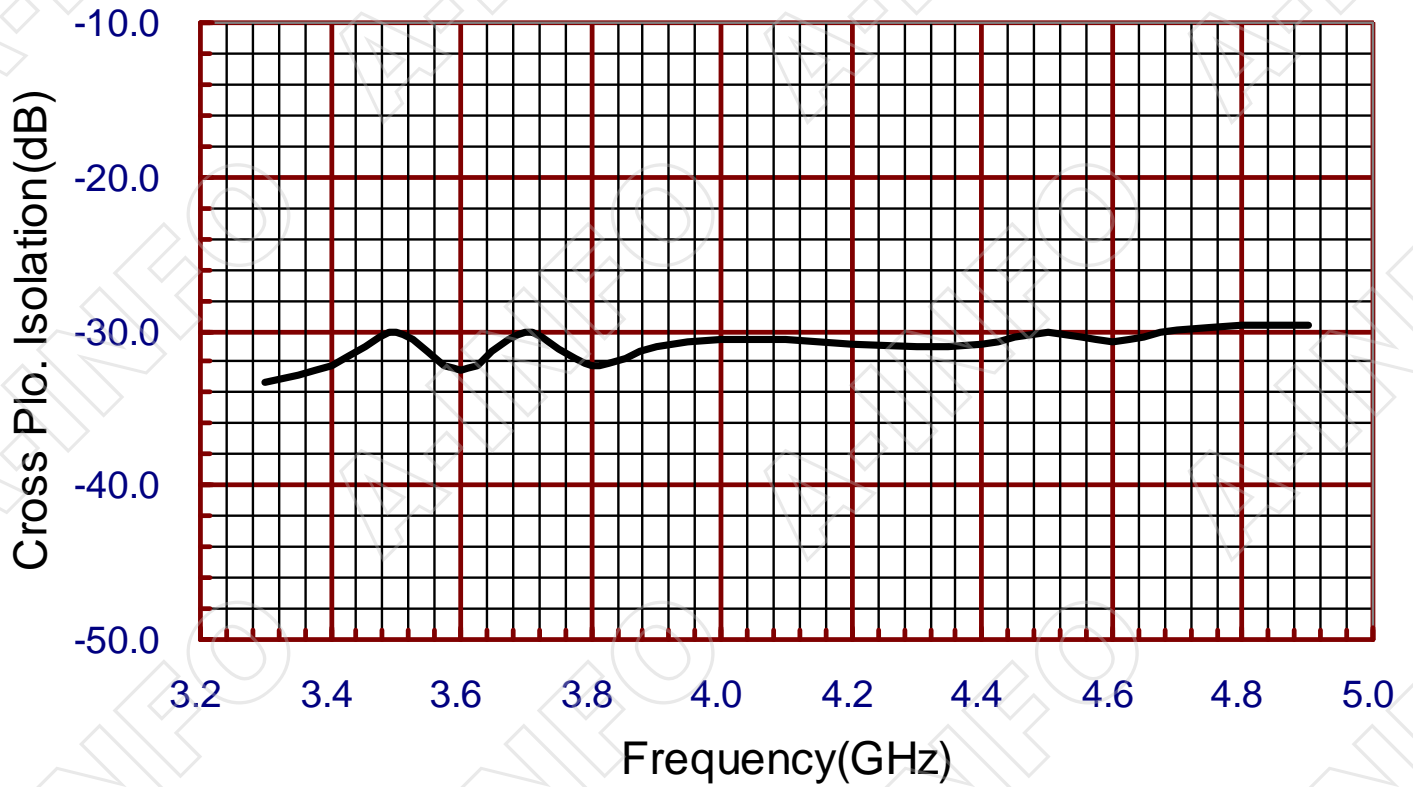


Frequency(GHz)	Gain(dB)	Antenna Factor(dB/m)
3.2	10.55	29.82
3.4	11.00	29.84
3.6	11.49	29.85
3.8	12.02	29.79
4.0	12.55	29.70
4.2	13.08	29.59
4.4	13.49	29.59
4.6	13.81	29.66
4.8	14.02	29.81
4.9	14.11	29.90

2. VSWR



3. Cross Polarization Isolation



4. Pattern

