

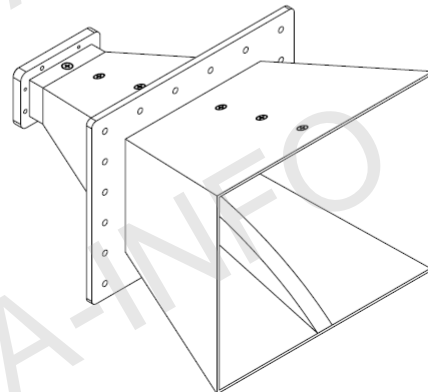
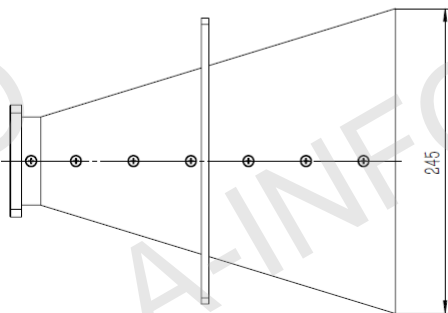
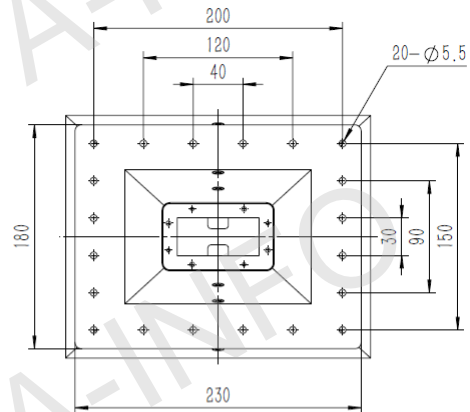
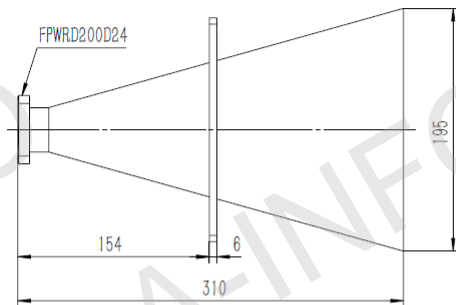
Technical Specification



Frequency Range(GHz)	2.0 – 4.8
Gain(dBi)	15 Typ.
Polarization	Linear
3dBBeamwidth(deg)	E Plane: 37 - 20
	H Plane: 40 - 22
Cross Pol. Isolation(dB)	25 Typ.
VSWR	1.5:1 Typ.
Output	A Type: FPWRD200D24
	C Type: N-Female or SMA-Female
Power Handling(W)	N-F: 500 Max. CW
	SMA-F: 50 Max. CW
Material	Al
Size(mm)	A Type: 245 x 195 x 310
	C Type: 245 x 195 x 407
Net Weight(Kg)	A Type: 2.0 Around
	C Type: 2.6 Around

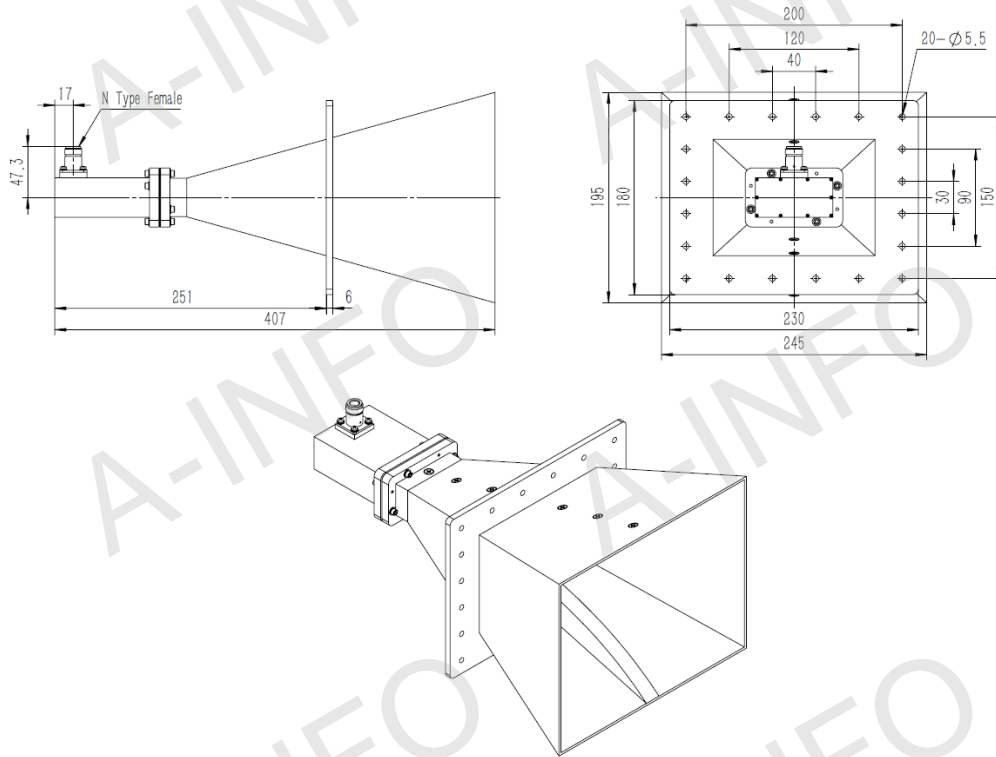
Outline Drawing (Size: mm)

A Type(With FPWRD200D24 Output)



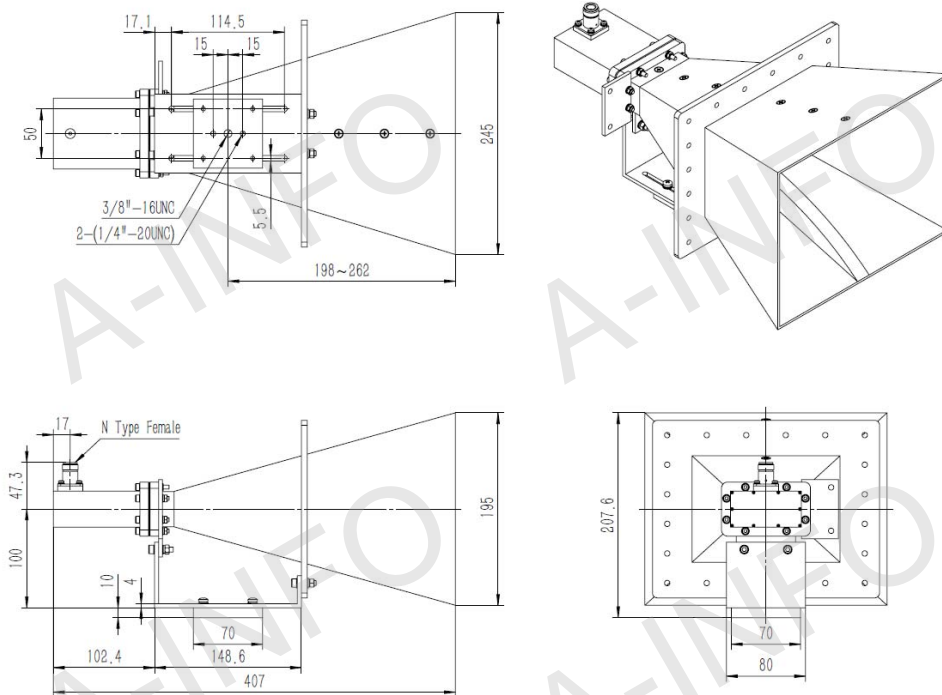
C Type (With N-Female Output)

For SMA-Female output outline drawing, please contact A-INFO.

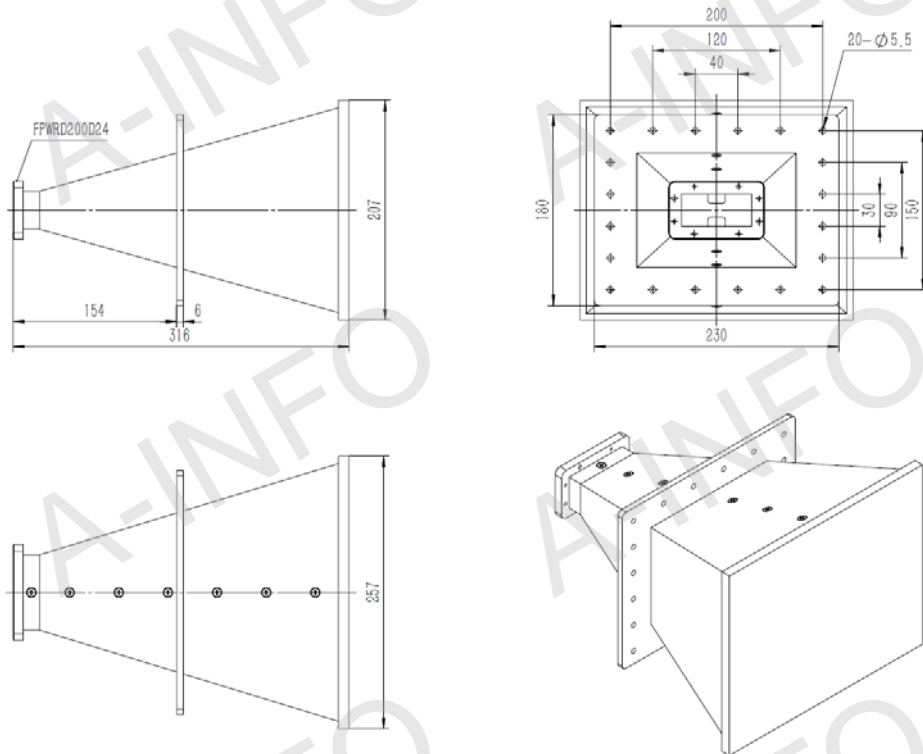


C Type (With N-Female Output & L Type Mounting Bracket)

For SMA-Female output outline drawing, please contact A-INFO.

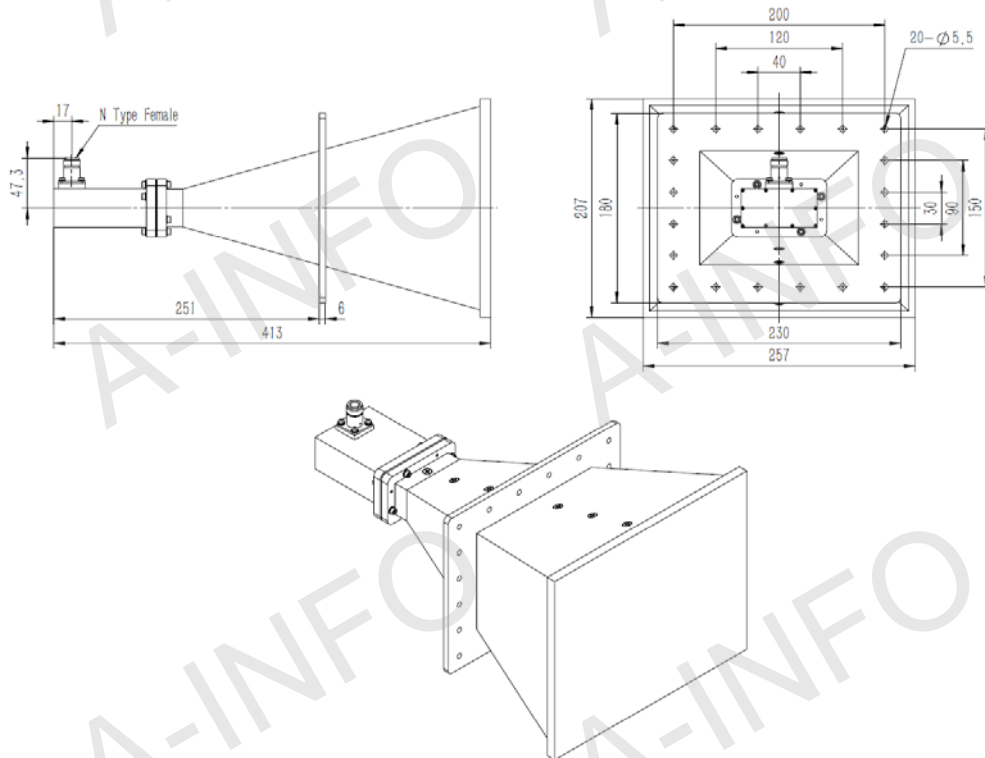


A Type (With Radome)



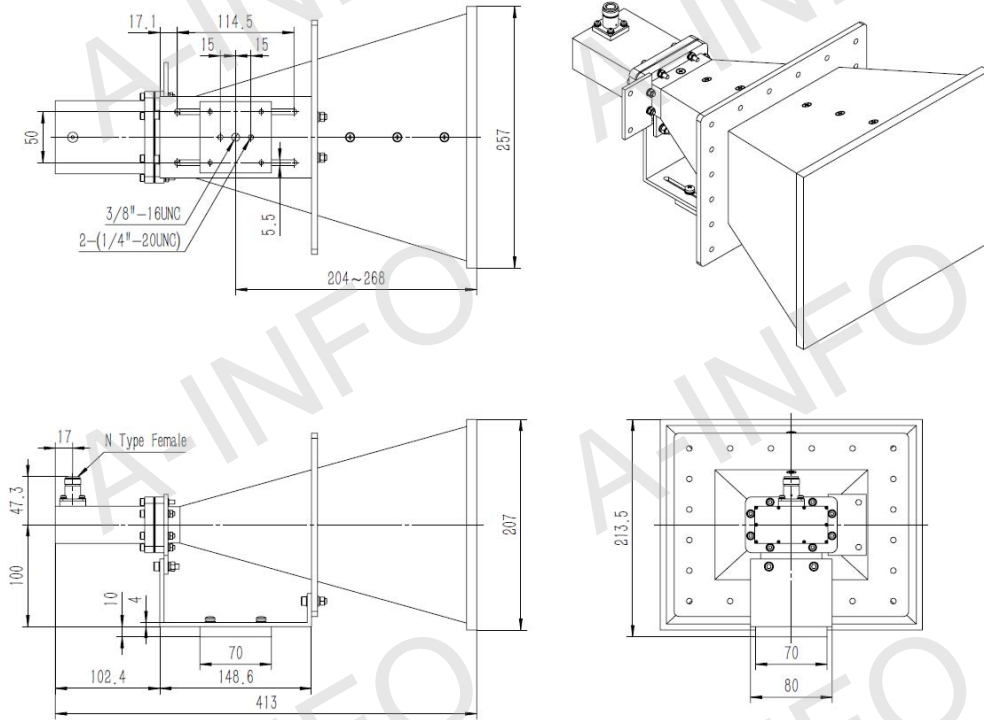
C Type (With N-Female Output & Radome)

For SMA-Female output outline drawing, please contact A-INFO.



C Type (With N-Female Output & L Type Mounting Bracket & Radome)

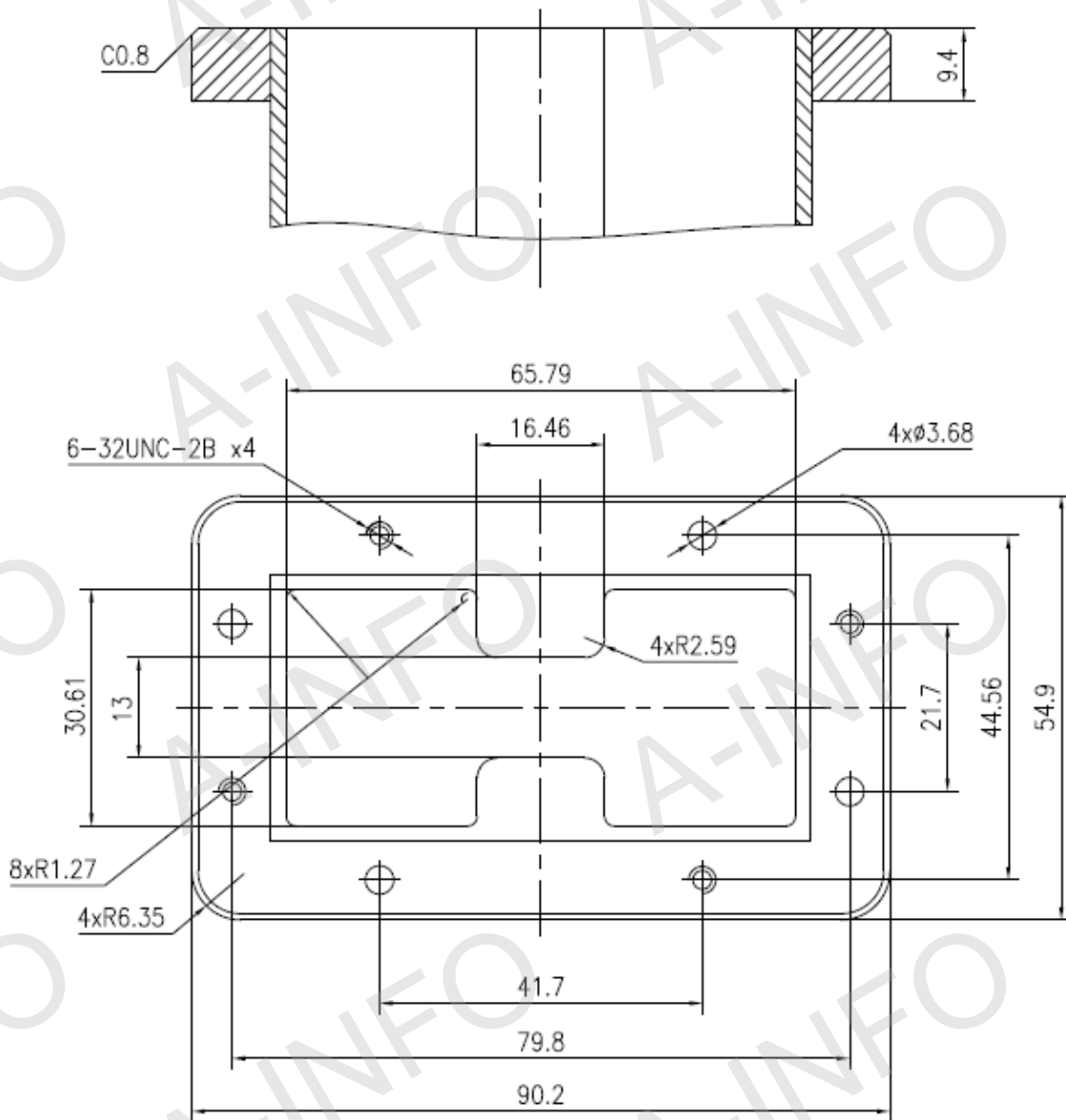
For SMA-Female output outline drawing, please contact A-INFO.



Flange Drawing (Size: mm)

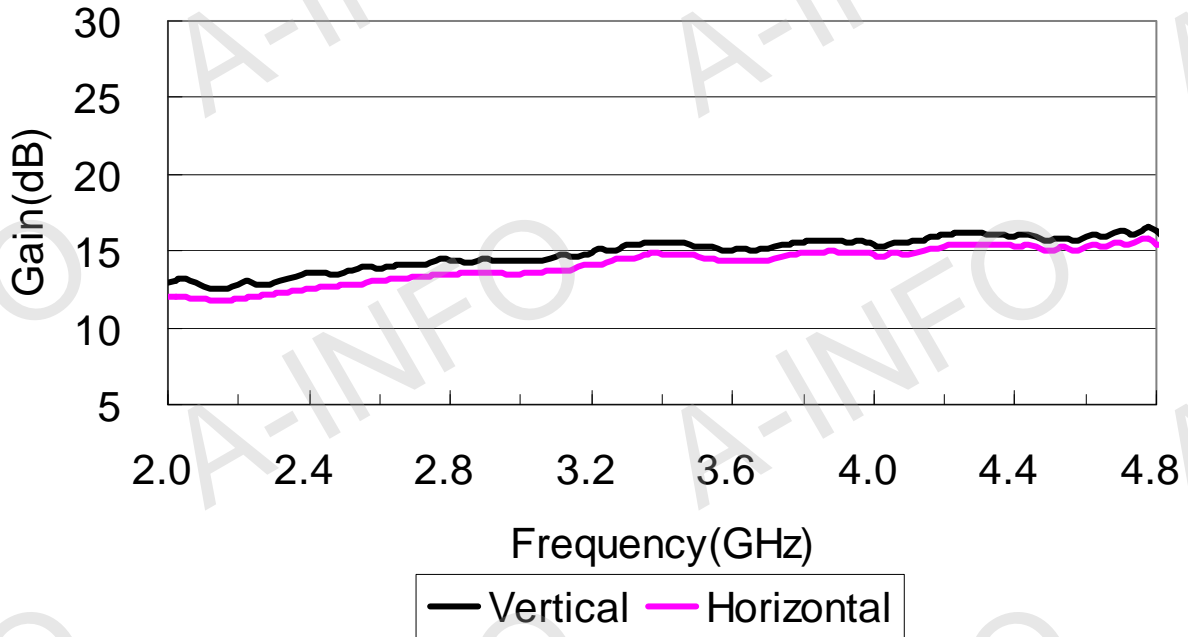
FPWRD200D24

(With four through mounting holes
and four screws holes)

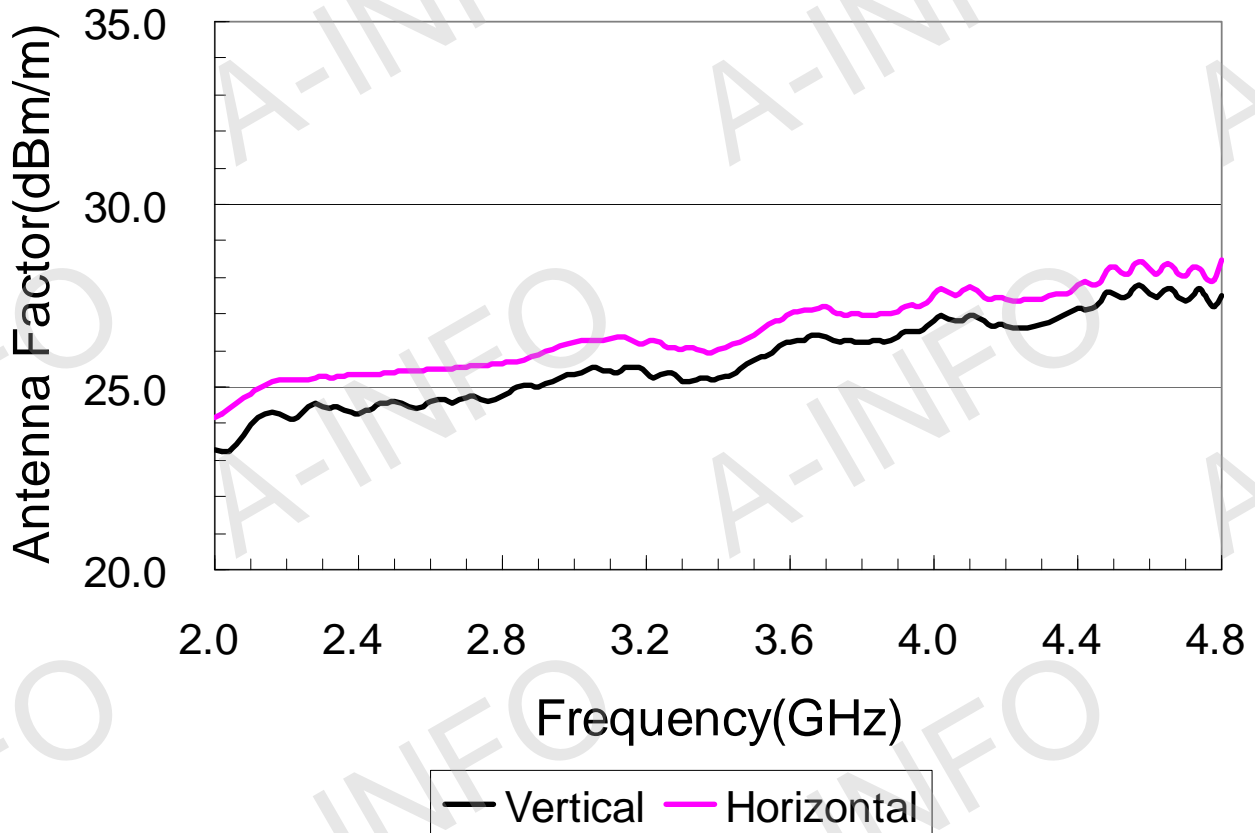


Test Results

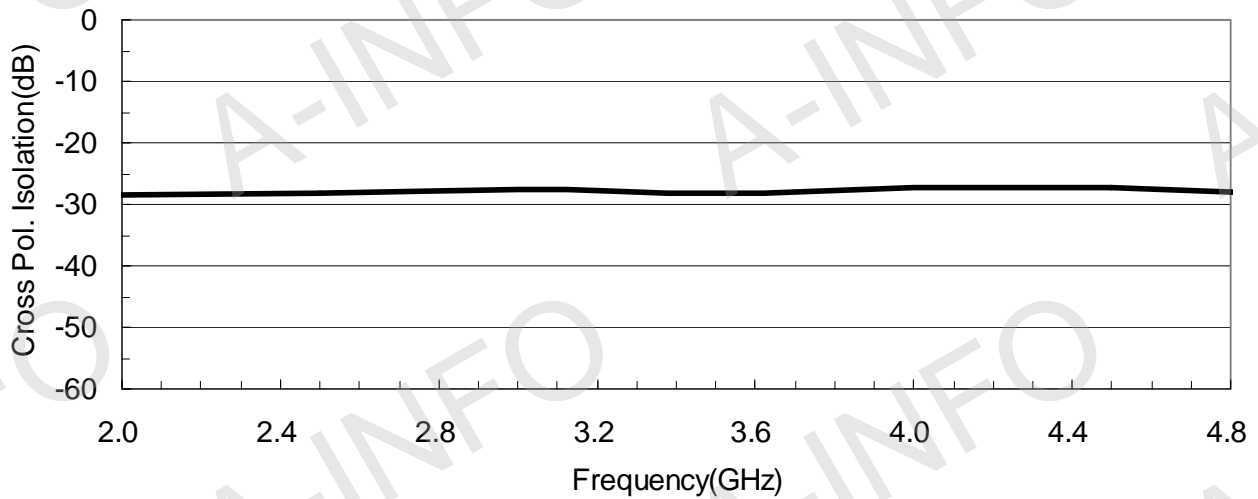
1. Gain@ 1m distance



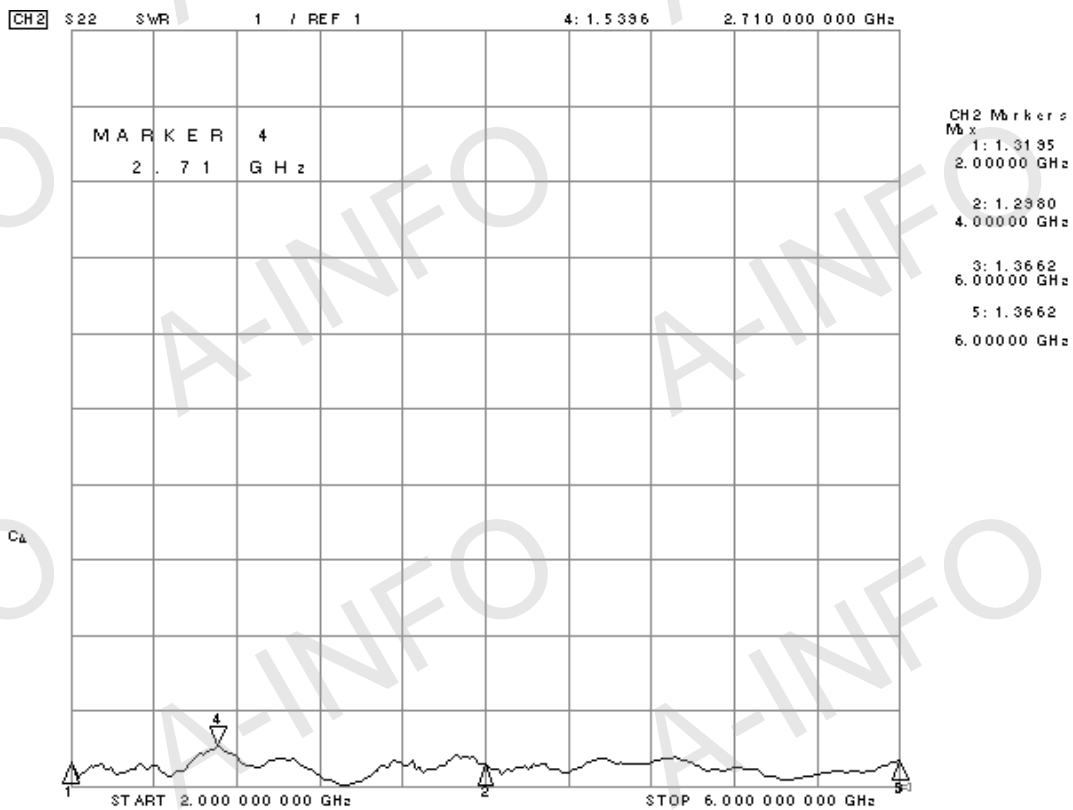
2. Antenna Factor@ 1m distance



3. Cross Polarization Isolation



4. VSWR



5. Pattern

