

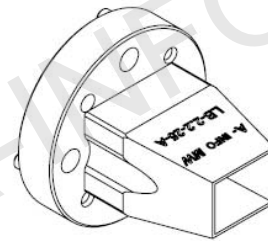
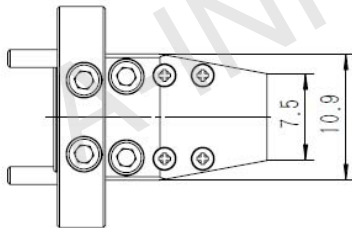
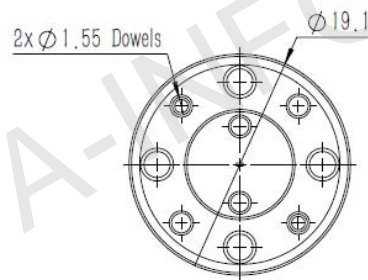
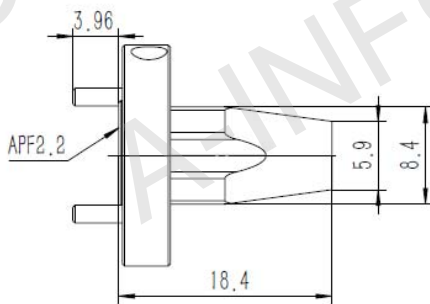
Technical Specification



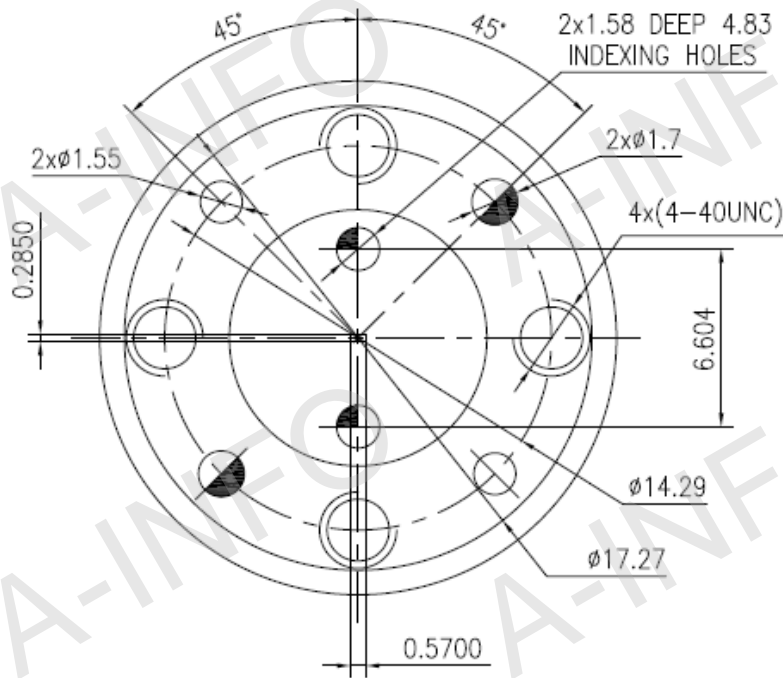
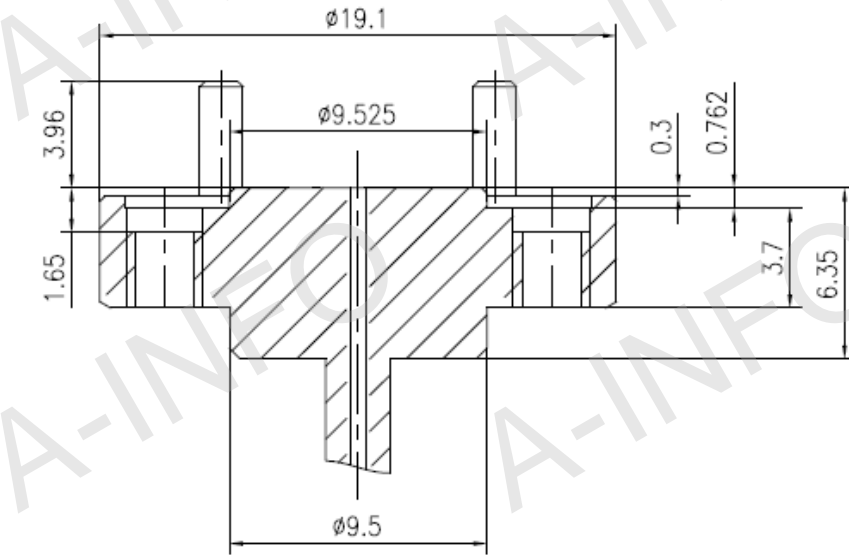
Frequency Range(GHz)	325.0 – 500.0
Waveguide	WR2.2
Gain(dBi)	25 Typ.
Polarization	Linear
3dB Beamwidth(deg)	8 Typ.
Cross Pol. Isolation(dB)	35 Typ.
VSWR	1.15:1 Typ.
Output	APF2.2
Material	Cu
Size(mm)	19.1 x 19.1 x 18.4
Net Weight(Kg)	0.02 Around

Outline Drawing (Size: mm)

APF2.2 Output (P/N: LB-2.2-25-A)



Flange Drawing (Size: mm)



APF2.2

AINFO Inc.

Page 2 of 6

China(Beijing):
China(Chengdu):
USA :

Tel: (+86) 10-6266-7326,
Tel: (+86) 28-8519-2786,
Tel: (+1) 949-639-9688,

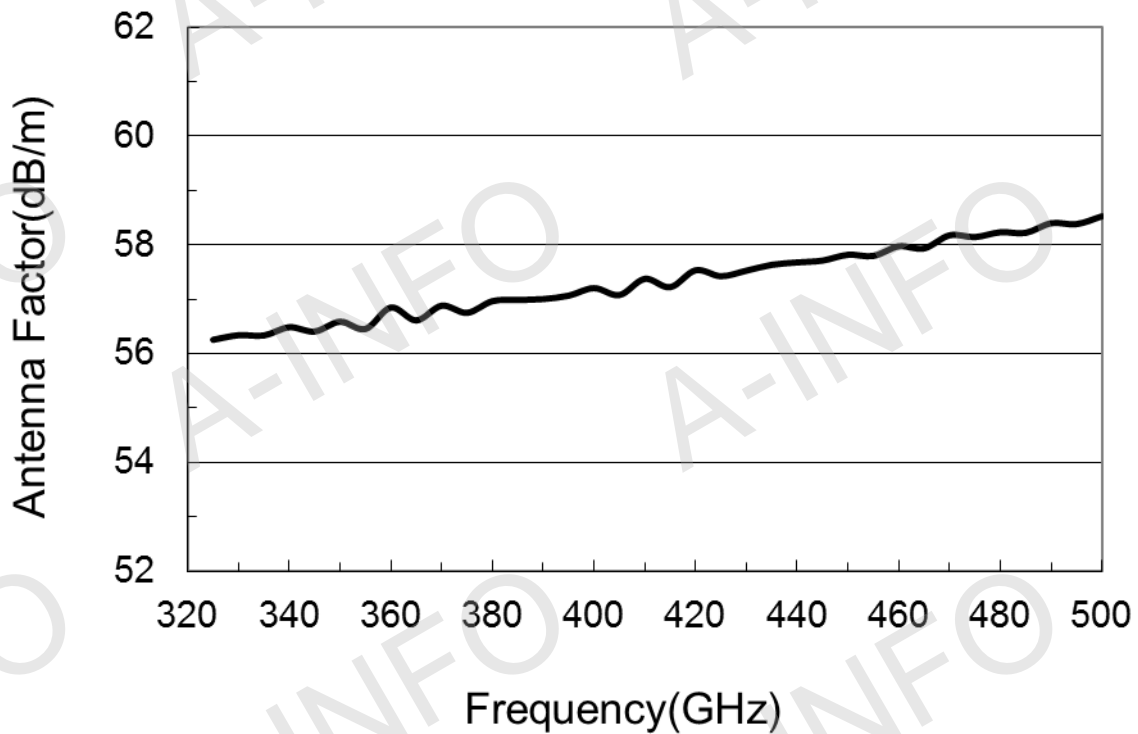
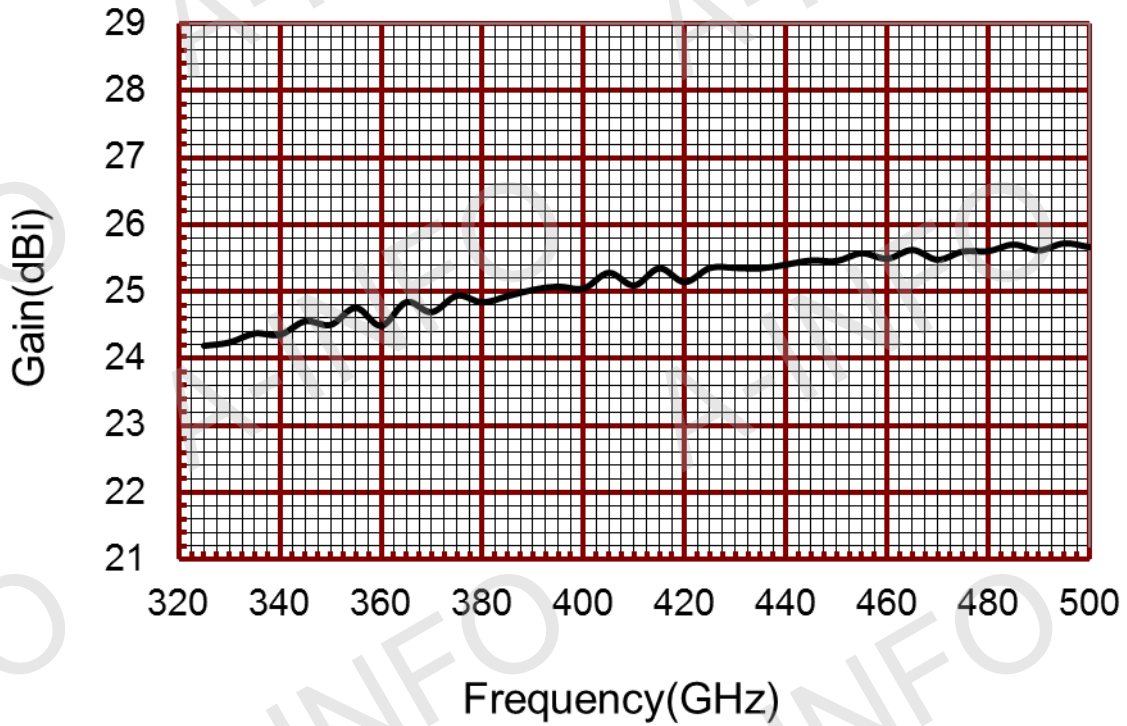
(+86) 10-6266-7327
(+86) 28-8519-3044
(+1) 949-639-9608

Fax: (+86) 10-6266-7379
Fax: (+86) 28-8519-3068
Fax: (+1) 949-639-9670

Website: www.ainfoinc.com
Email: sales@ainfoinc.com

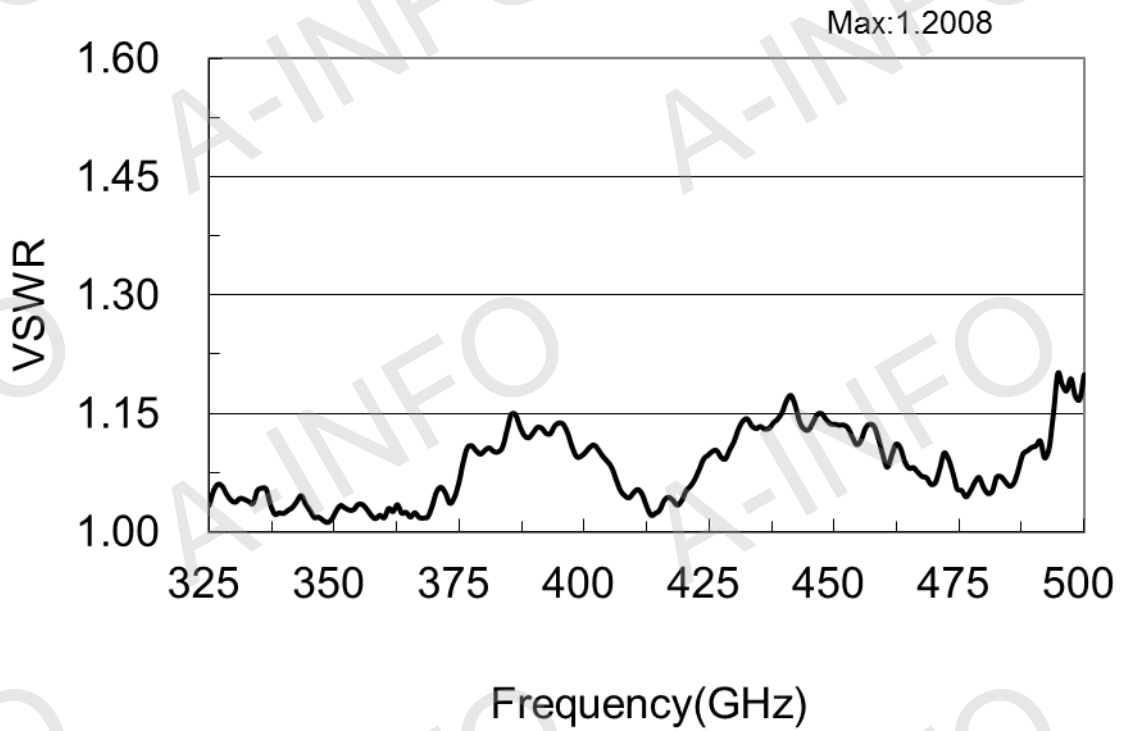
Test Results

1. Gain & Antenna Factor



Frequency(GHz)	Gain(dBi)	Antenna Factor(dB/m)
325	24.19	56.26
330	24.24	56.34
335	24.37	56.34
340	24.35	56.49
345	24.56	56.41
350	24.50	56.59
355	24.76	56.46
360	24.49	56.85
365	24.84	56.61
370	24.69	56.88
375	24.94	56.75
380	24.84	56.97
385	24.93	56.99
390	25.03	57.01
395	25.07	57.07
400	25.04	57.21
405	25.28	57.08
410	25.09	57.38
412.5	25.19	57.32
415	25.35	57.22
420	25.14	57.53
425	25.35	57.43
430	25.35	57.53
435	25.35	57.63
440	25.40	57.68
445	25.46	57.71
450	25.46	57.82
455	25.57	57.80
460	25.49	57.97
465	25.62	57.94
470	25.47	58.18
475	25.60	58.15
480	25.60	58.23
485	25.70	58.22
490	25.61	58.40
495	25.72	58.38
496	25.73	58.39
497	25.70	58.43
498	25.68	58.48
499	25.66	58.51
500	25.66	58.53

2. VSWR



3. Pattern

