

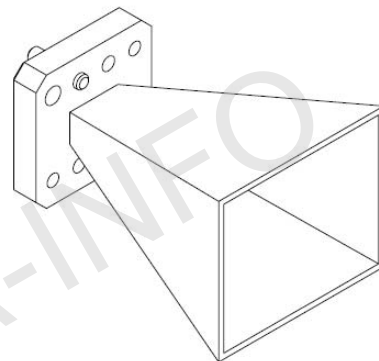
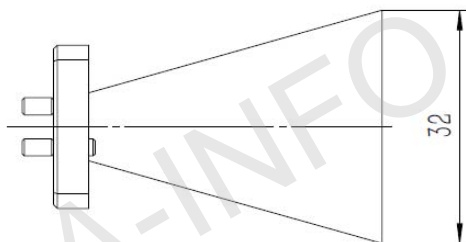
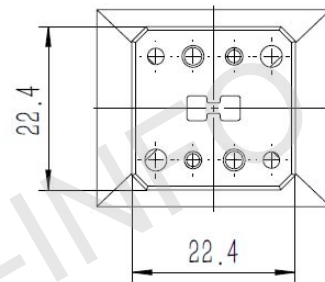
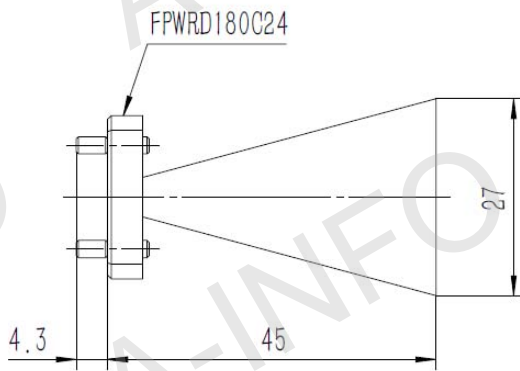
Technical Specification



Frequency Range(GHz)	18 - 40	
Gain(dBi)	15 Typ.	
Polarization	Linear	
3dB Beamwidth(deg)	E Plane:	42 - 21
	H Plane:	45 - 17
Cross Pol. Isolation(dB)	35 Typ.	
VSWR	1.5:1 Typ.	
Output	A Type:	FPWRD180C24
	C Type:	2.92mm-Female or 2.4mm-Female
Power Handling(W)	2.92mm-F:	20 Max. CW
	2.4mm-F:	10 Max. CW
Material	Cu	
Size(mm)	A Type:	32 x 27 x 45
	C Type:	32 x 28.6 x 71
Net Weight(Kg)	A Type:	0.04 Around
	C Type:	0.08 Around

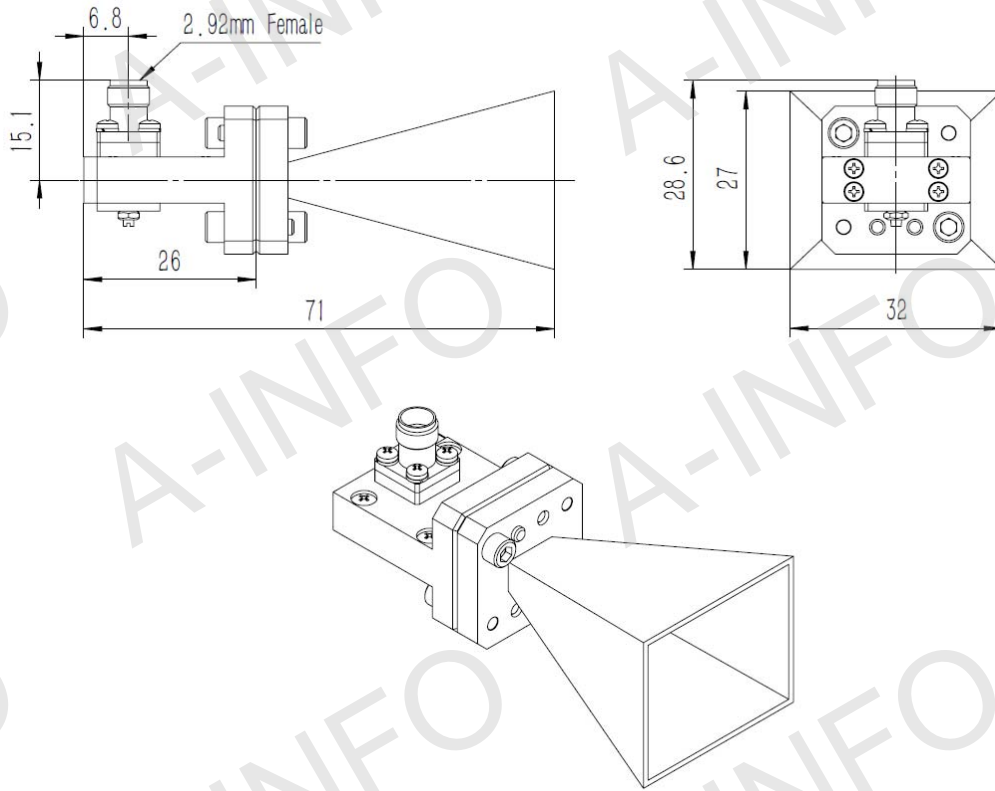
Outline Drawing (Size: mm)

A Type(With FPWRD180C24 Output)



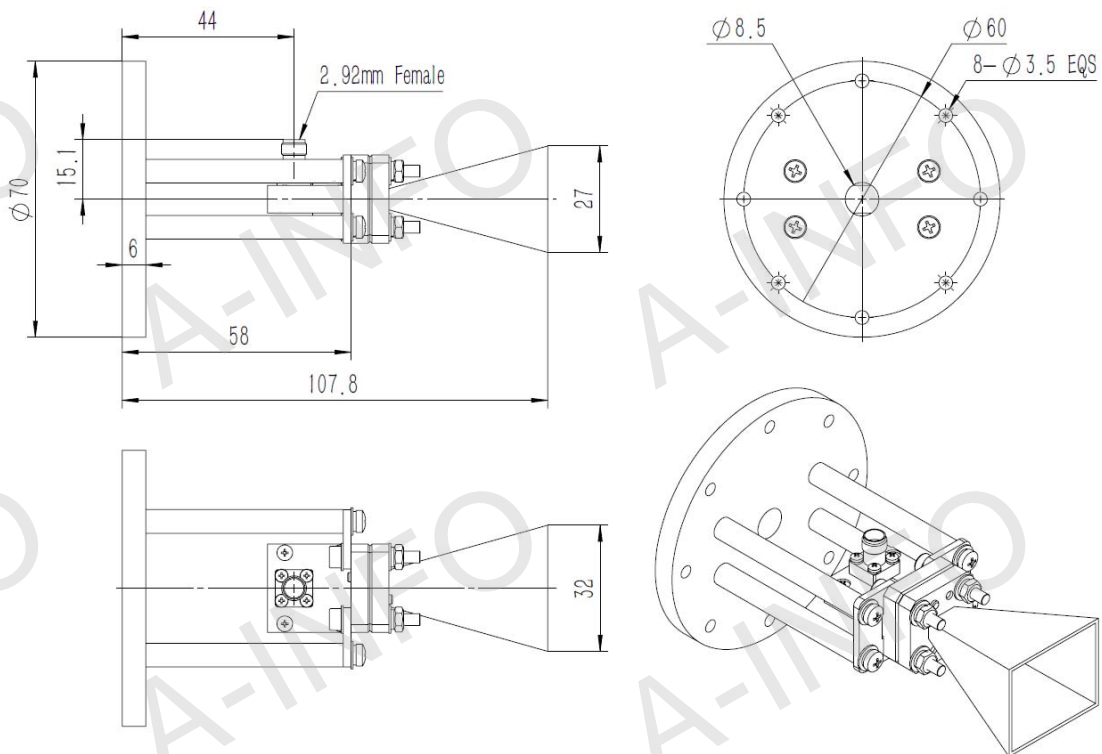
C Type (With 2.92mm-Female Output)

For 2.4mm-Female output outline drawing, please contact A-INFO.



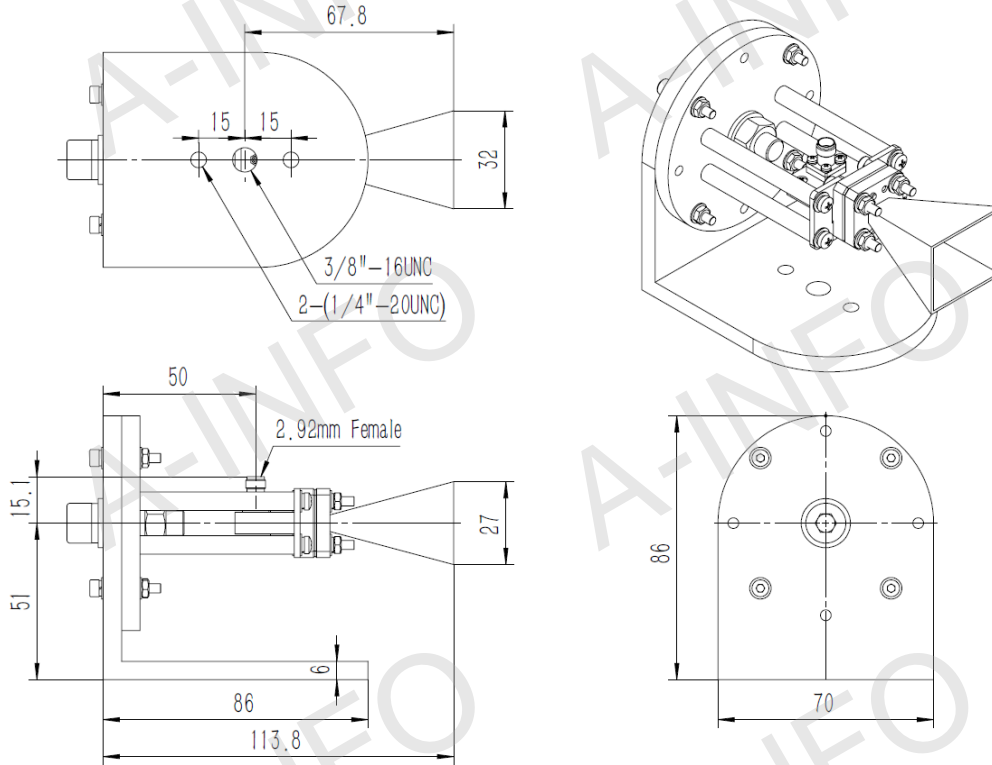
C Type (With 2.92mm-Female Output & Round Mounting Bracket)

For 2.4mm-Female output outline drawing, please contact A-INFO.

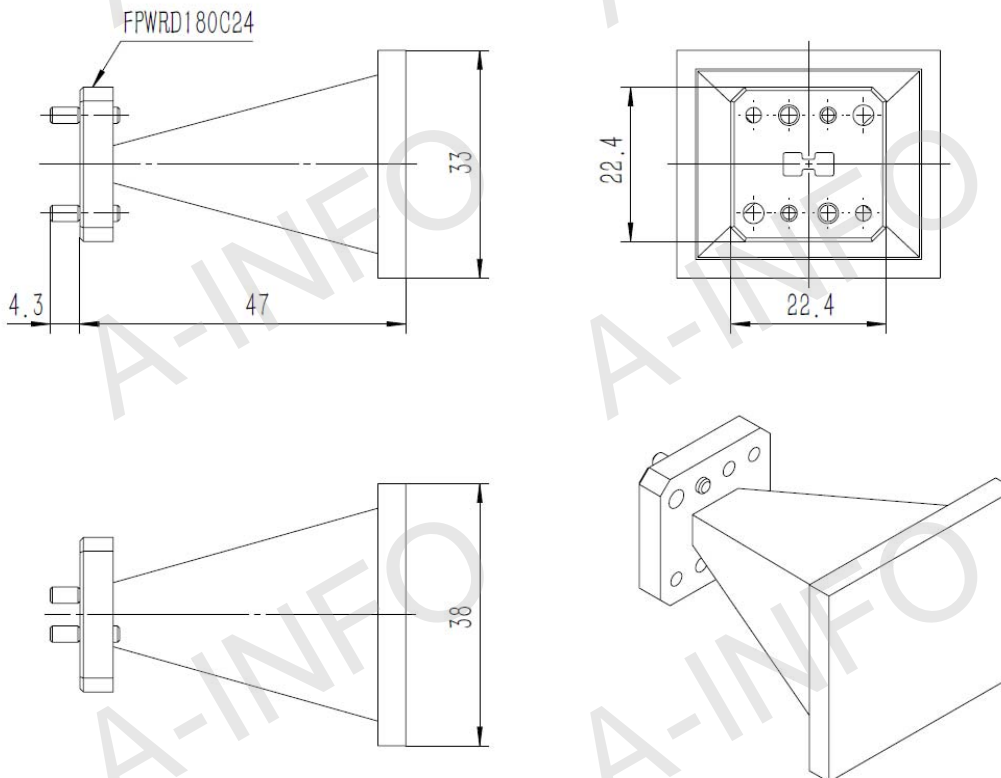


C Type (With 2.92mm-Female Output & L Type Mounting Bracket)

For 2.4mm-Female output outline drawing, please contact A-INFO.

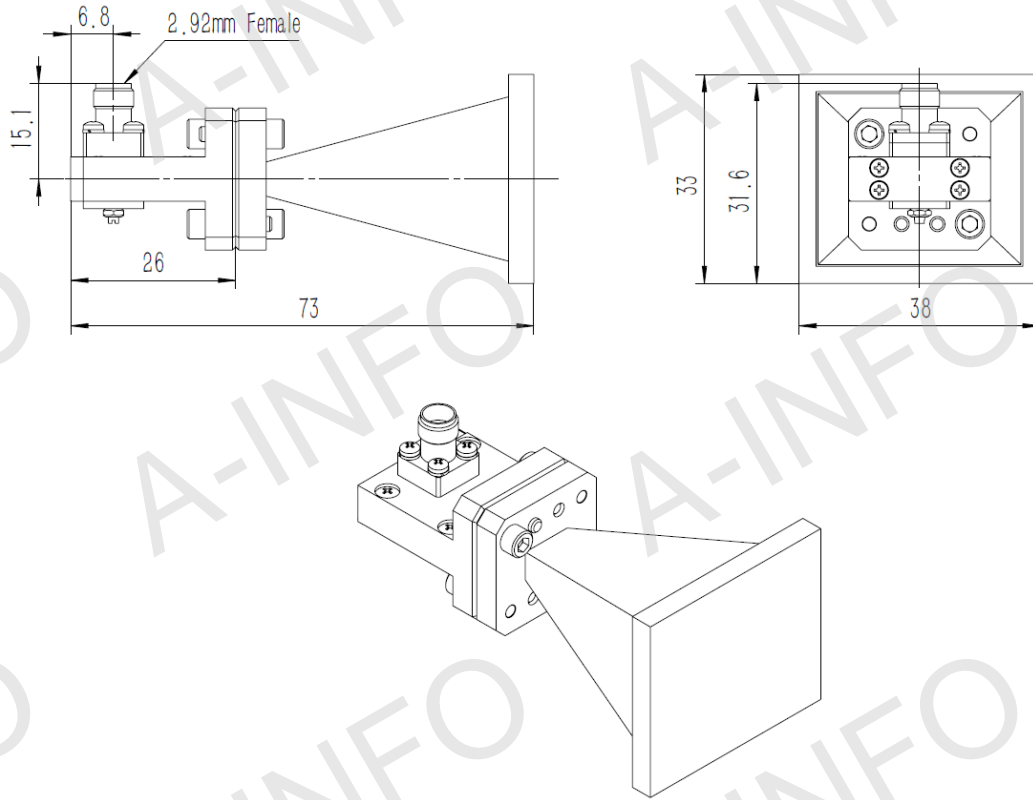


A Type (With Radome)



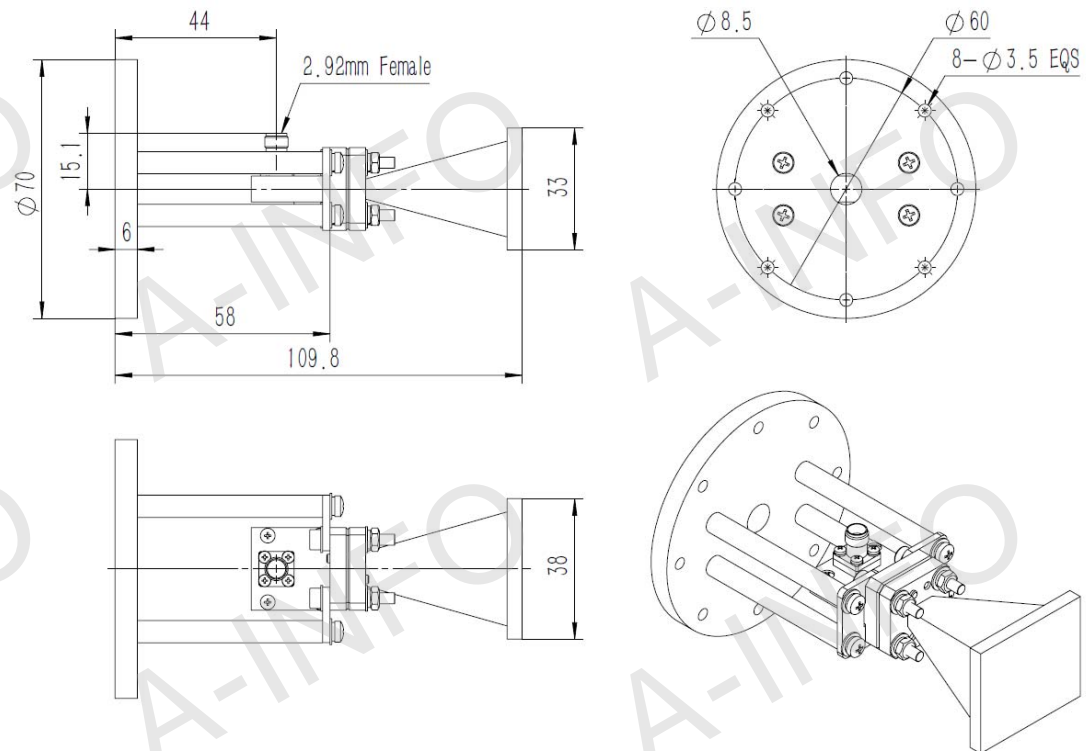
C Type (With 2.92mm-Female Output & Radome)

For 2.4mm-Female output outline drawing, please contact A-INFO.



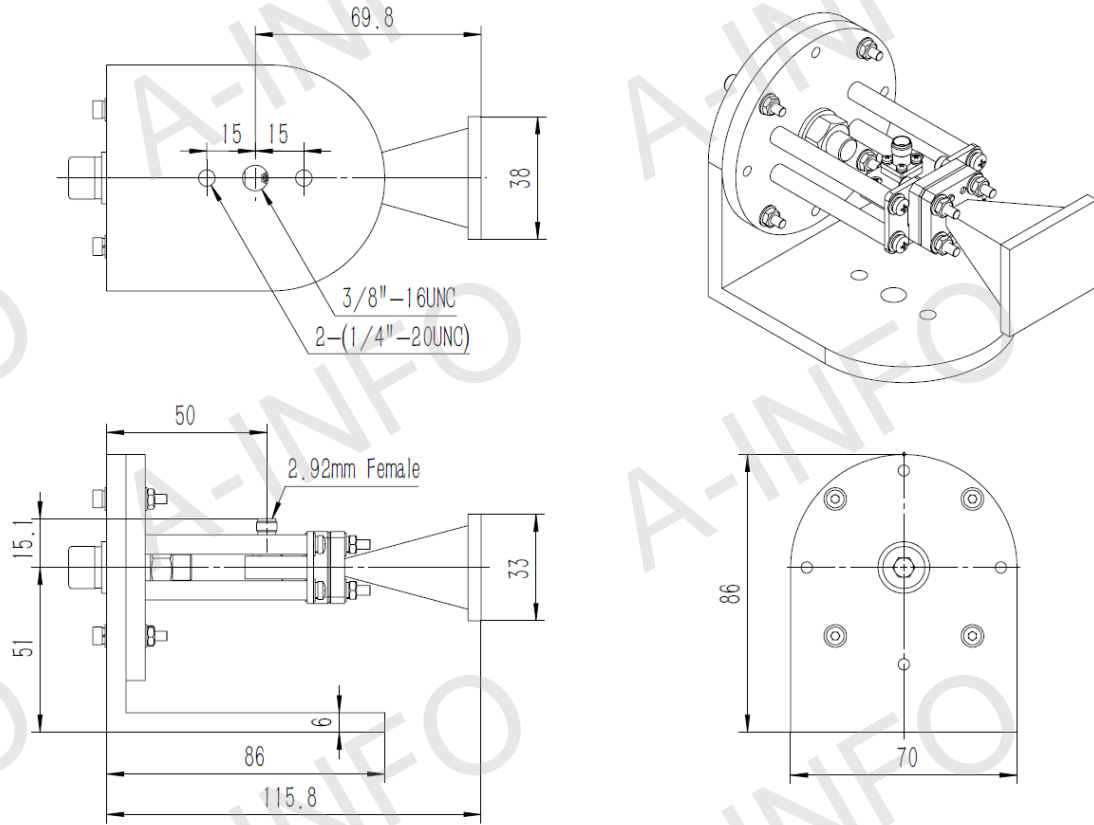
C Type (With 2.92mm-Female Output & Round Mounting Bracket & Radome)

For 2.4mm-Female output outline drawing, please contact A-INFO.



C Type (With 2.92mm-Female Output & L Type Mounting Bracket & Radome)

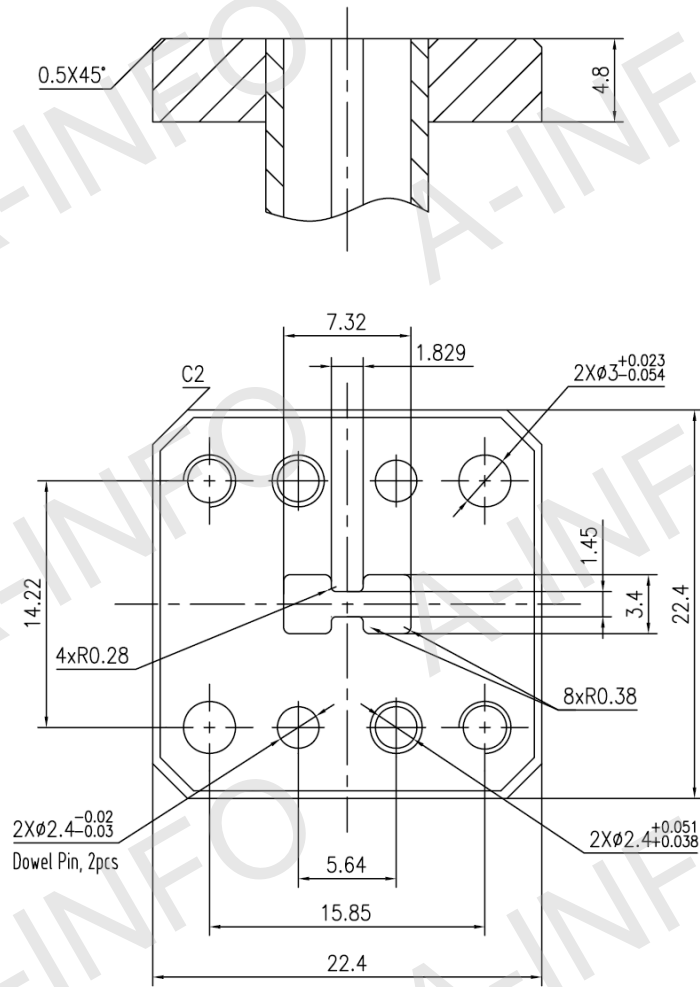
For 2.4mm-Female output outline drawing, please contact A-INFO.



Flange Drawing (Size: mm)

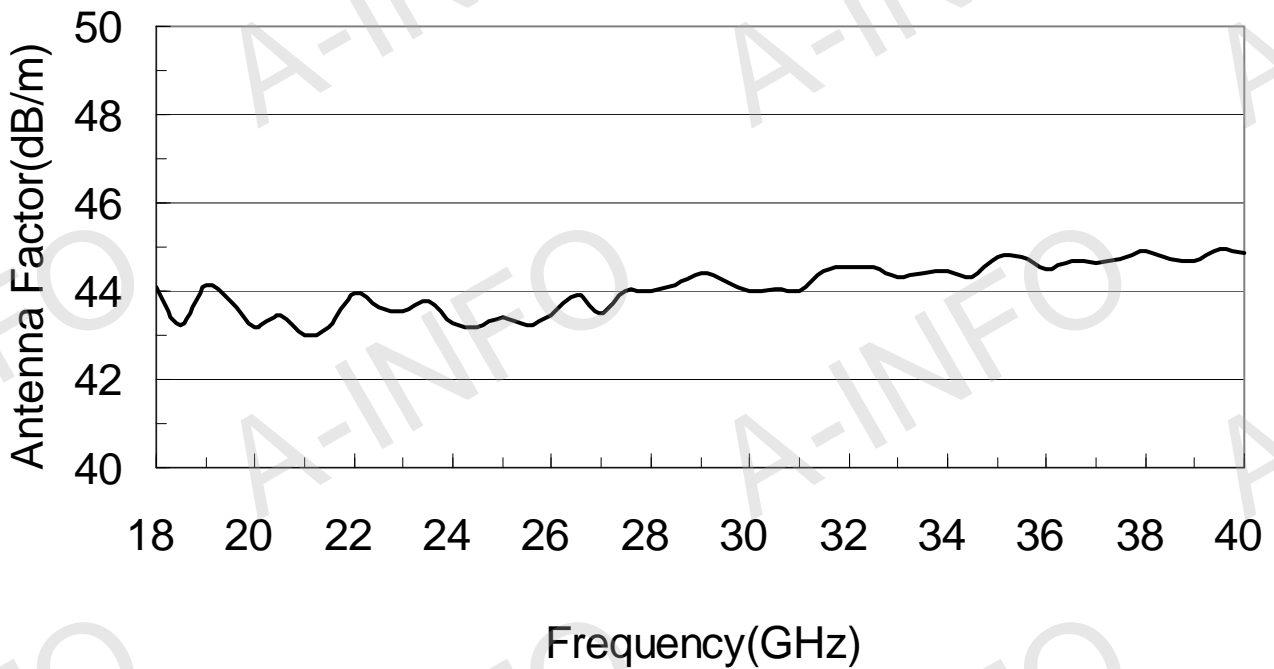
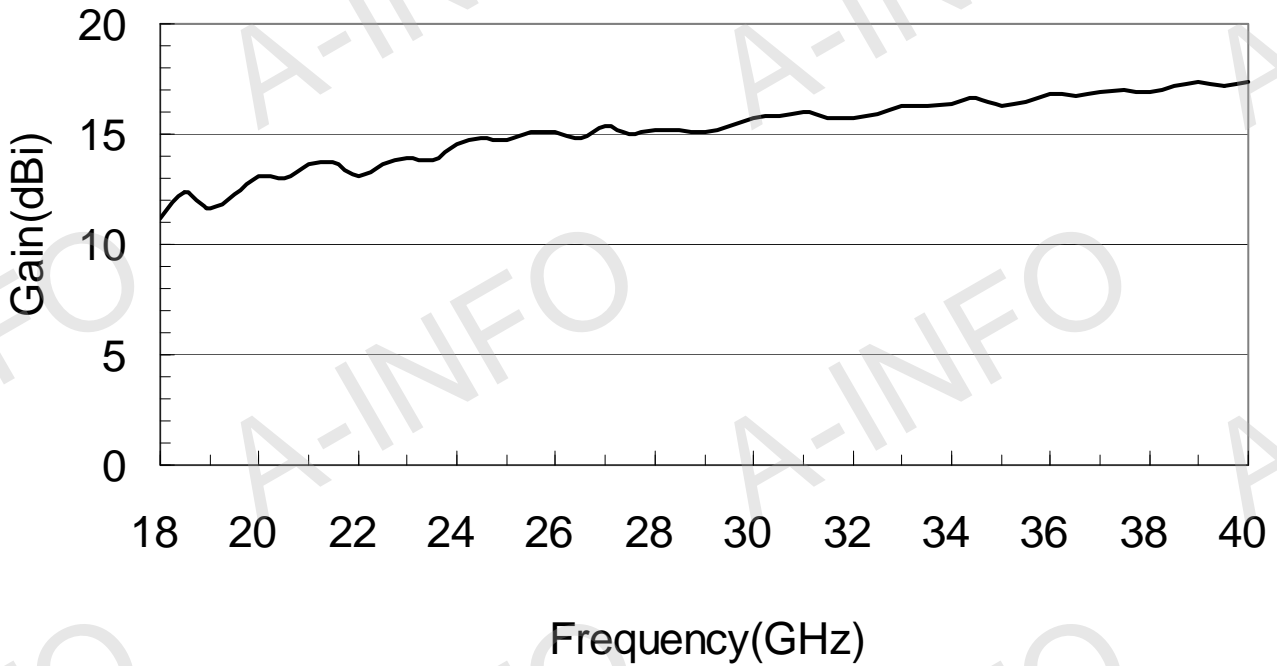
FPWRD180C24

(With two through mounting holes
and two screws holes)

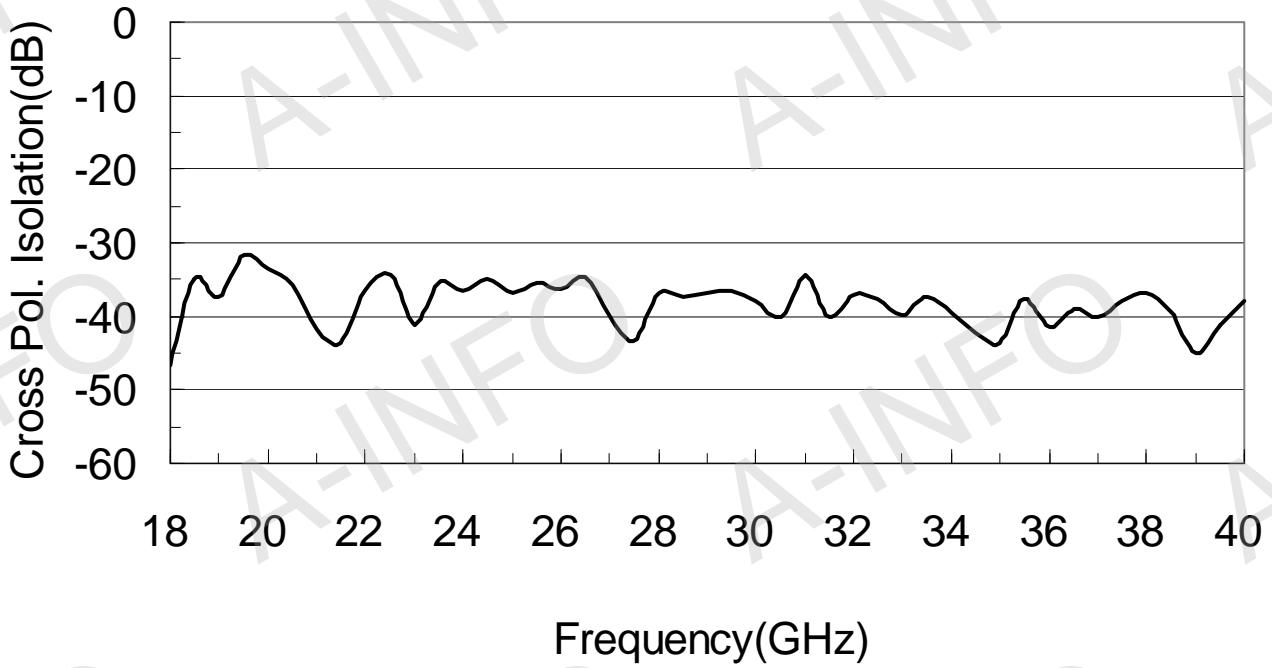


Test Results

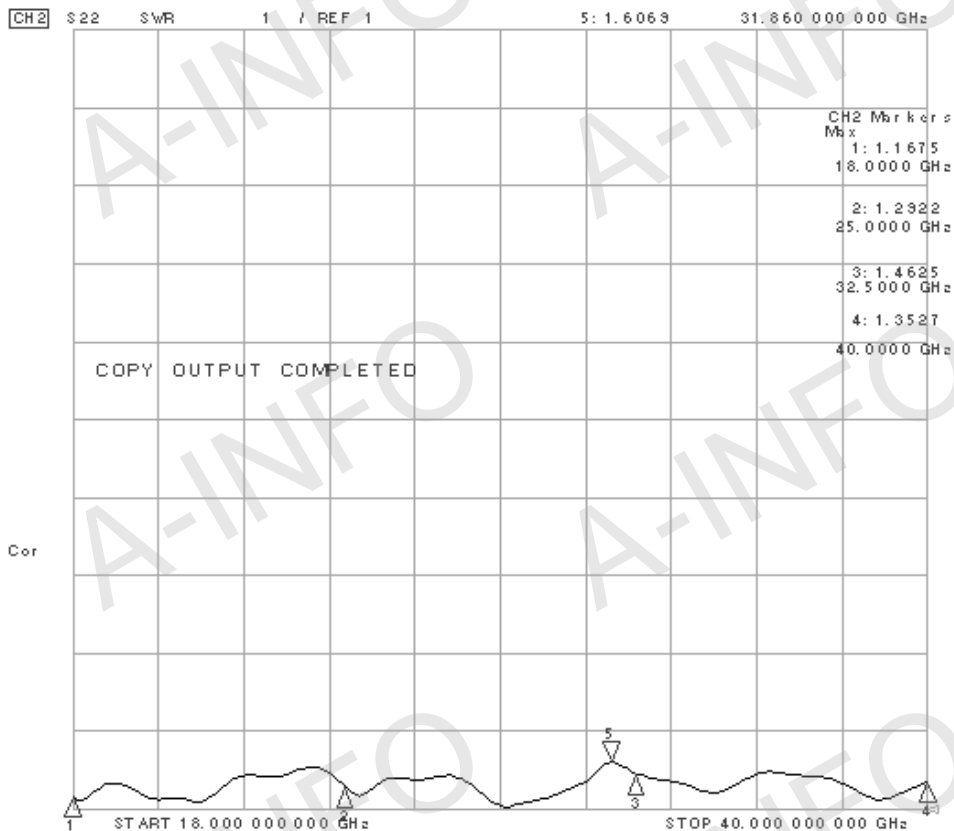
1. Gain & Antenna Factor



2. Cross Polarization Isolation



3. VSWR



4. Pattern

