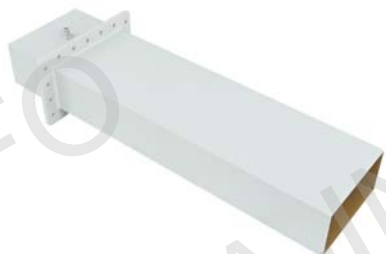


Technical Specification

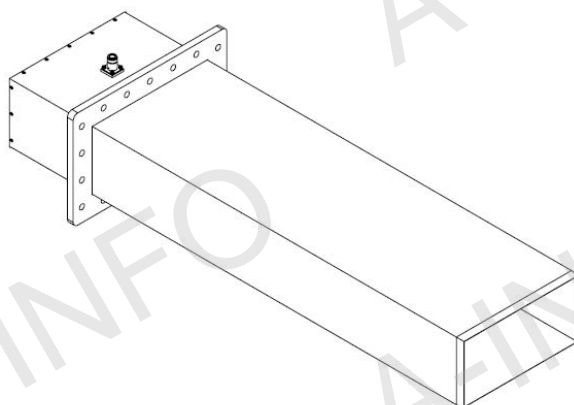
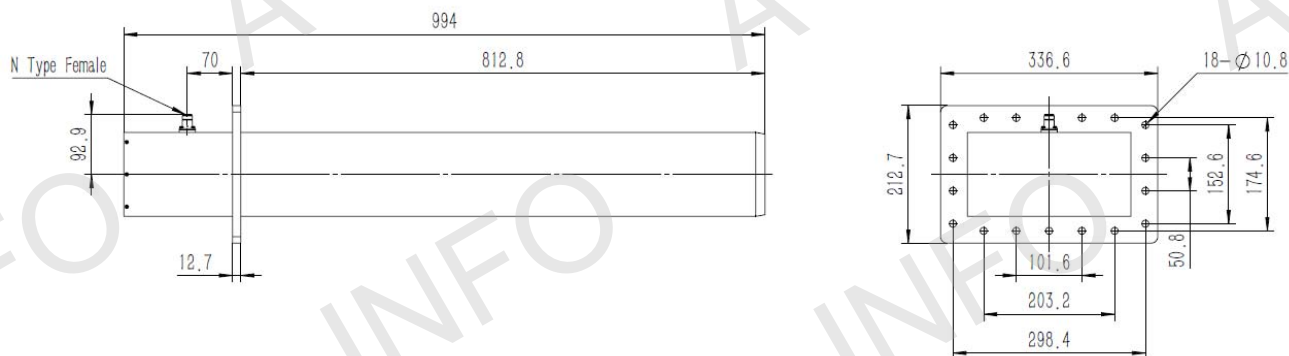


| | |
|--------------------------|---------------------|
| Frequency Range(GHz) | 0.75 - 1.12 |
| Waveguide | WR975 |
| Gain(dBi) | 5 Typ. |
| Polarization | Linear |
| 3dB Beamwidth(deg) | E Plane: 98 Typ. |
| | H Plane: 66 Typ. |
| Cross Pol. Isolation(dB) | 30 Typ. |
| VSWR | 2.0:1 Typ. |
| Output | N-Female |
| | or SMA-Female |
| | or 7/16-Female |
| Material | Al |
| Size(mm) | 336.6 x 212.7 x 994 |
| Net Weight(Kg) | 8.1 Around |

Outline Drawing (Size: mm)

975EWGN (With N-Female Output)

For SMA-Female or 7/16-Female output outline drawing, please contact A-INFO.



Test Results

VSWR

