

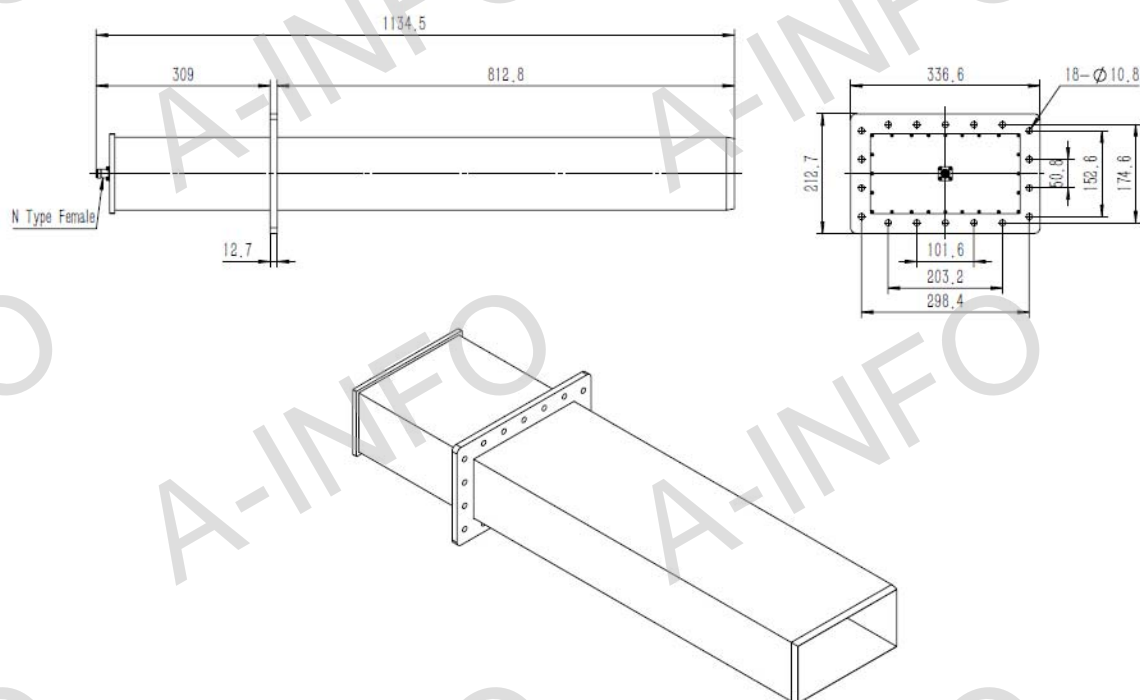
## Technical Specification



Frequency Range(GHz)	0.75 - 1.12
Waveguide	WR975
Gain(dBi)	5 Typ.
Polarization	Linear
3dB Beamwidth(deg)	E Plane: 98 Typ.
	H Plane: 66 Typ.
Cross Pol. Isolation(dB)	30 Typ.
VSWR	2.0:1 Typ.
Output	Endlaunch N-Female
Material	Al
Size(mm)	336.6 x 212.7 x 1134.5
Net Weight(Kg)	9.81 Around

## Outline Drawing (Size: mm)

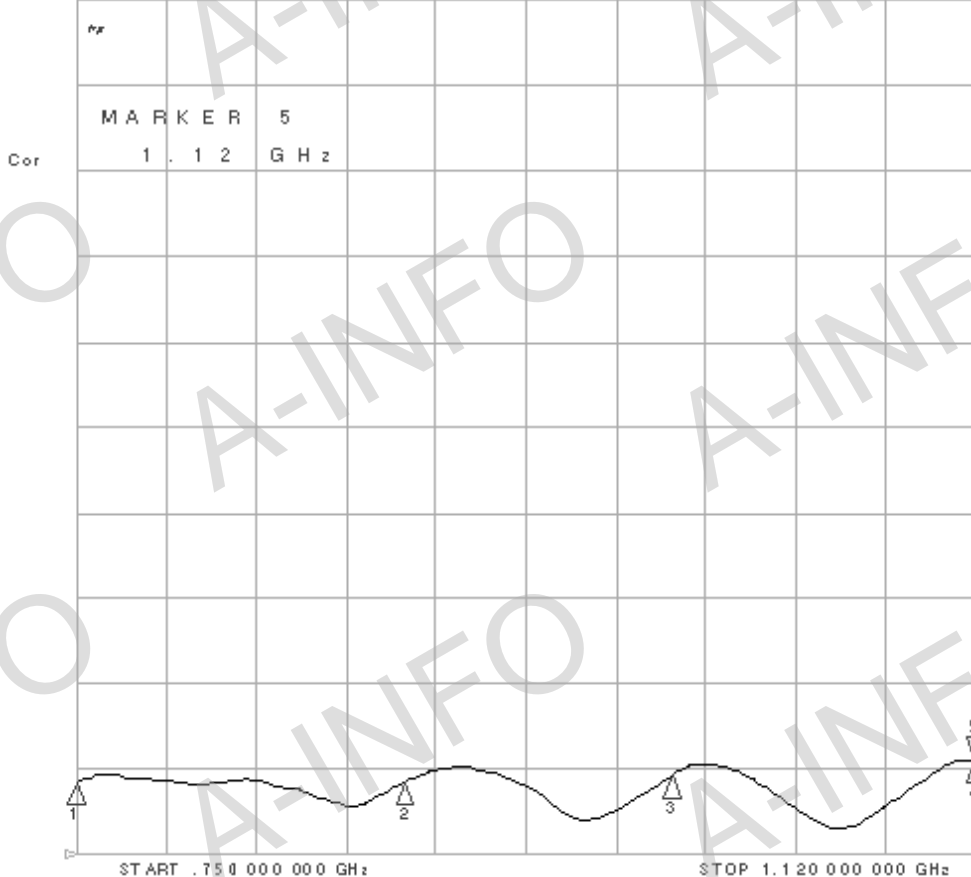
975EWGEN (With Endlaunch N-Female Output)



## Test Results

### VSWR

CH1 S11 SWR 1 / REF 1 5: 2.1100 1.120 000 000 GHz



CH1 Markers  
Mk x  
1: 1.8408  
750.000 MHz  
2: 1.8531  
885.000 MHz  
3: 1.9333  
935.000 MHz  
4: 2.1100  
1.12000 GHz