

Technical Specification

90EWGS



90EWGS-A1

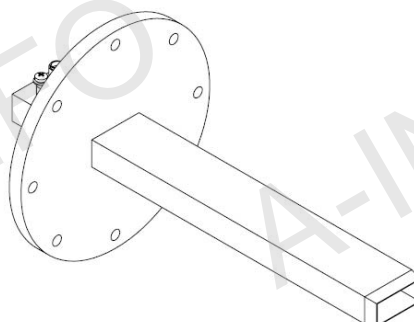
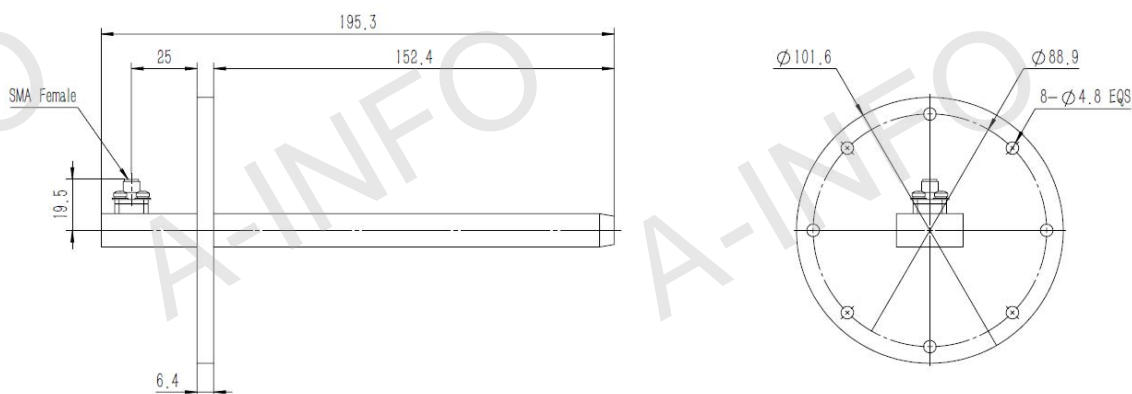


Frequency Range(GHz)	8.2 - 12.4	
Waveguide	WR90	
Gain(dBi)	5 Typ.	
Polarization	Linear	
3dB Beamwidth(deg)	E Plane:	83 Typ.
	H Plane:	47 Typ.
Cross Pol. Isolation(dB)	30 Typ.	
VSWR	2.0:1 Typ.	
Output	SMA-Female	
	or N-Female	
	or TNC-Female	
	or 7mm or 3.5mm-Female	
Material	Al	
Size(mm)	90EWGx:	101.6 x 101.6 x 195.3
	90EWGx-A1:	399.6 x 399.6 x 195.3
Net Weight(Kg)	90EWGx:	0.2 Around
	90EWGx-A1:	2.45 Around

Outline Drawing (Size: mm)

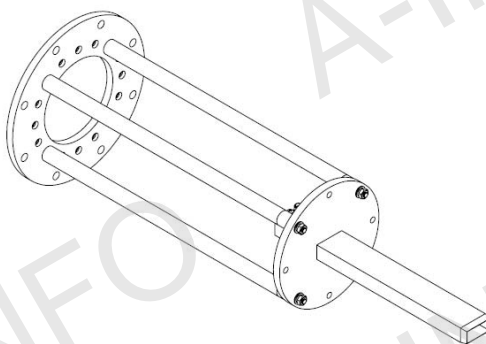
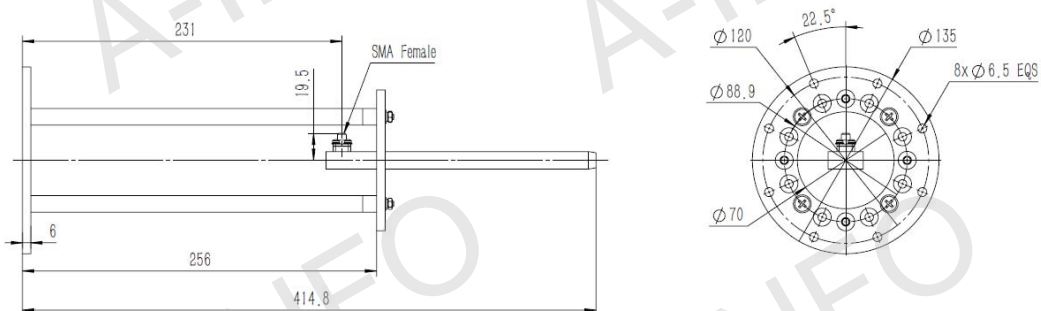
90EWGS (With SMA-Female Output)

For N-Female, TNC-Female, 7mm or 3.5mm-Female output outline drawing, please contact A-INFO.



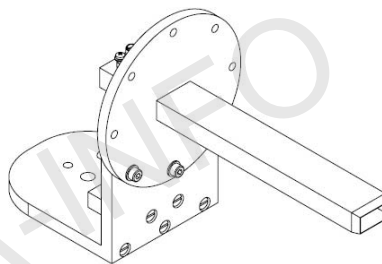
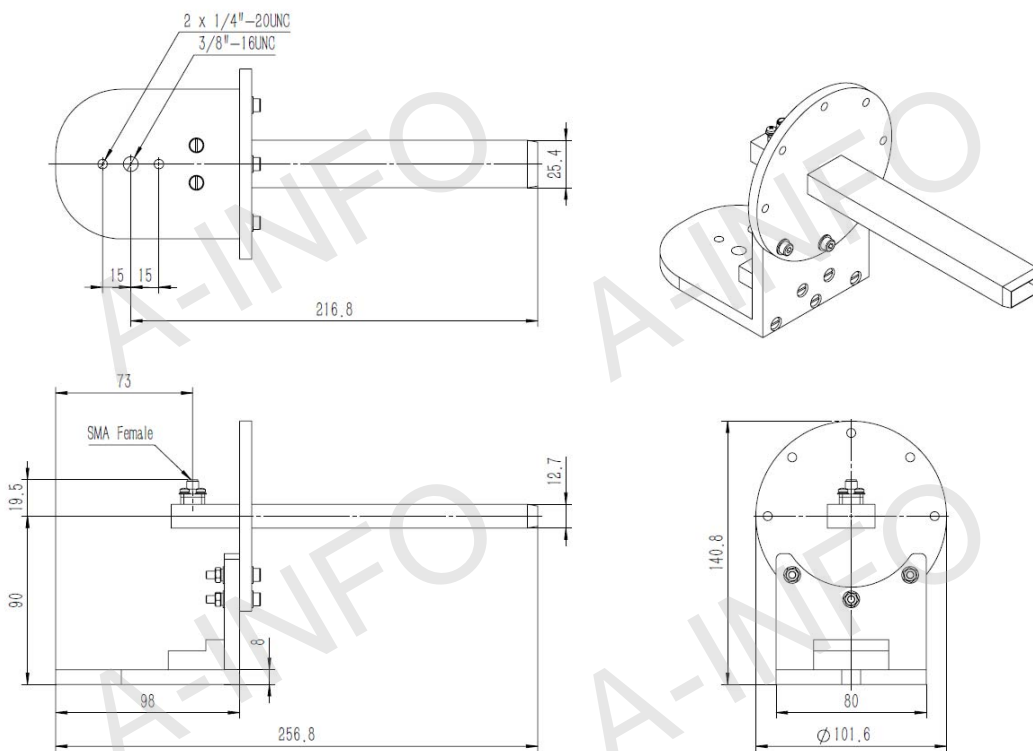
90EWGS (With SMA-Female Output & Round Mounting Bracket)

For N-Female, TNC-Female, 7mm or 3.5mm-Female output outline drawing, please contact A-INFO.



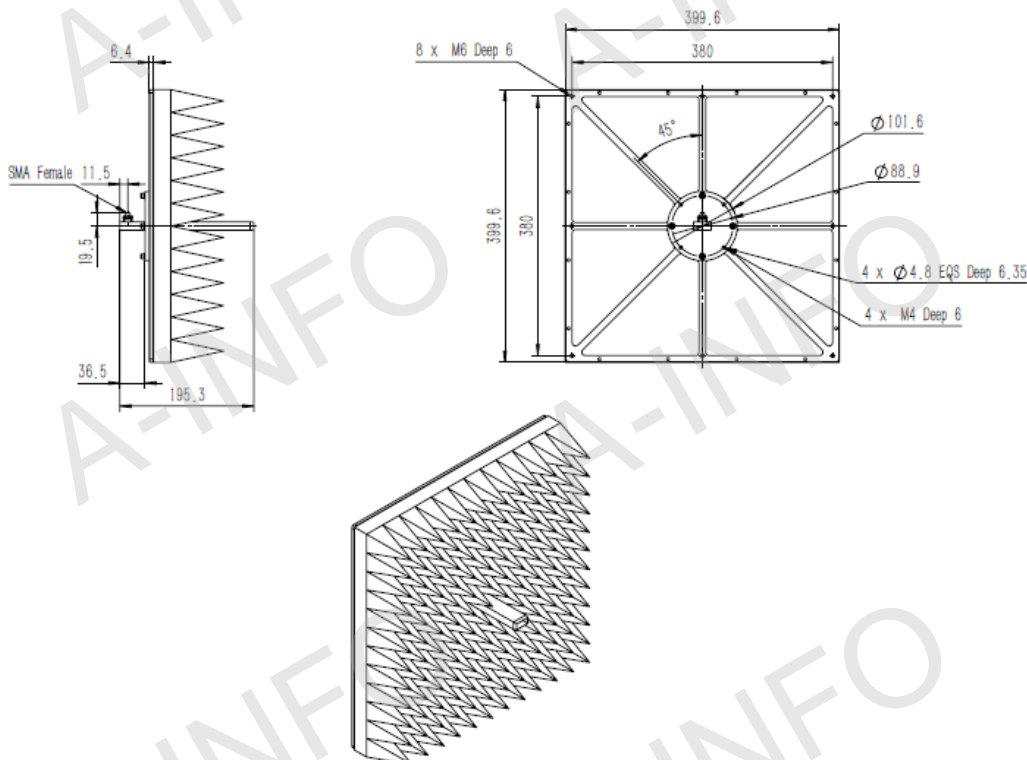
90EWGS (With SMA-Female Output & L Type Mounting Bracket)

For N-Female, TNC-Female, 7mm or 3.5mm-Female output outline drawing, please contact A-INFO.



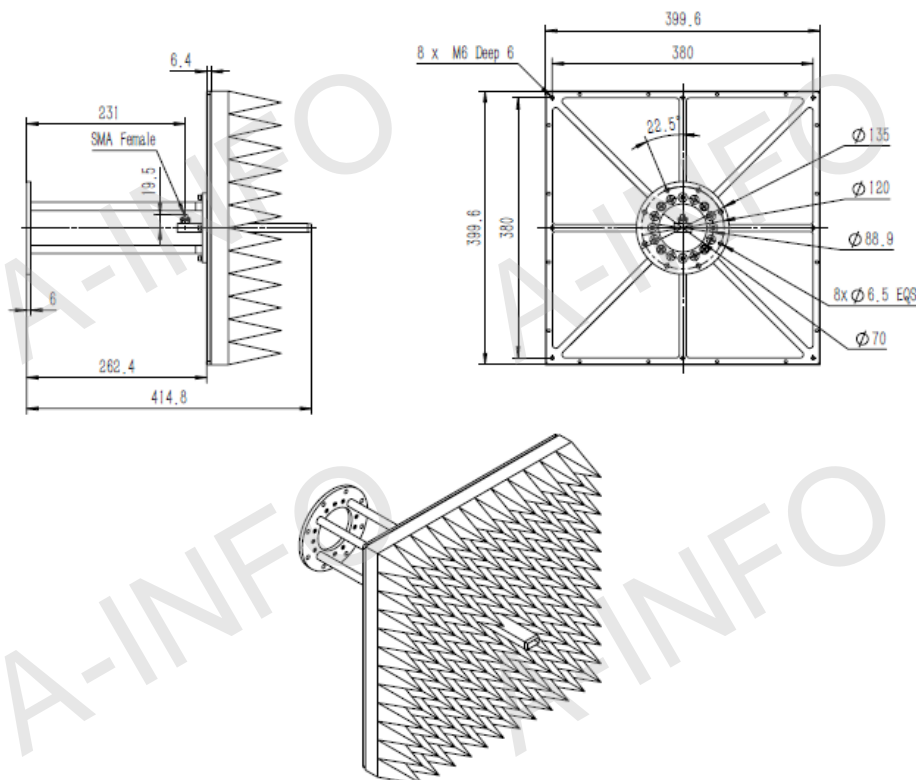
90EWGS-A1 (With SMA-Female Output, Equipped with Absorber)

For N-Female, TNC-Female, 7mm or 3.5mm-Female output outline drawing, please contact A-INFO.



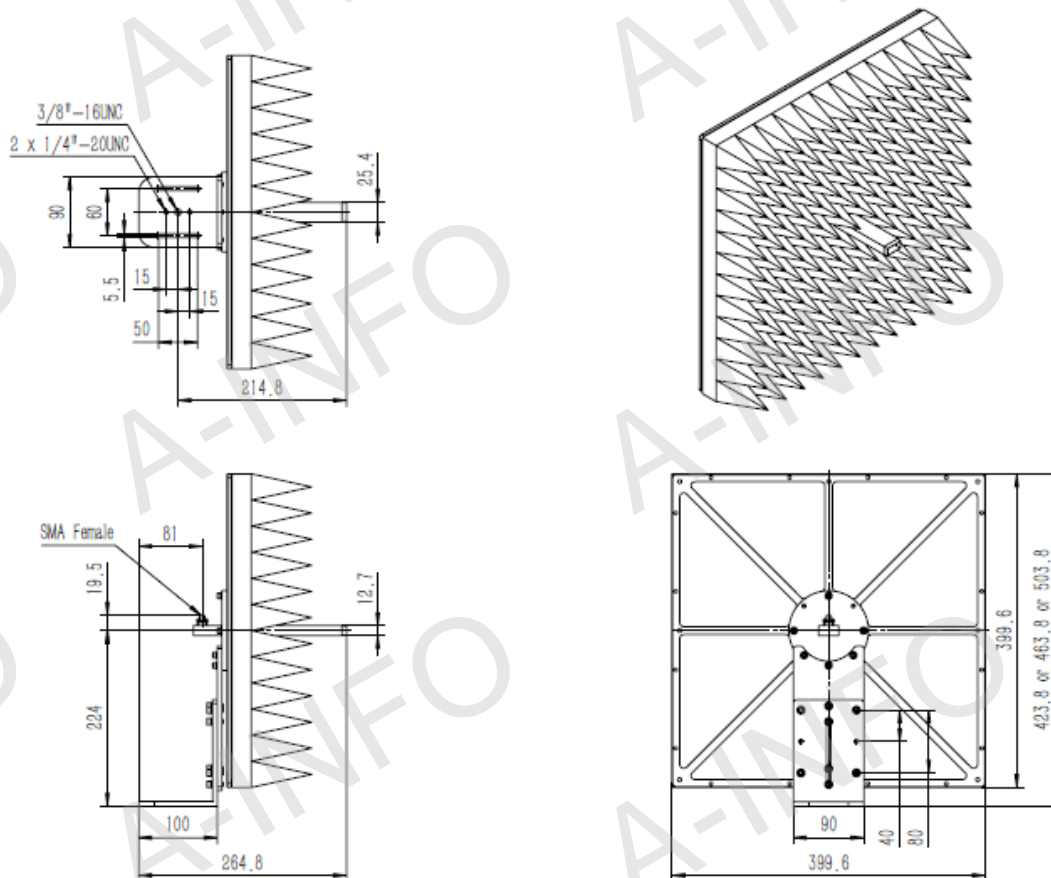
90EWGS-A1 (With SMA-Female Output & Round Mounting Bracket, Equipped with Absorber)

For N-Female, TNC-Female, 7mm or 3.5mm-Female output outline drawing, please contact A-INFO.



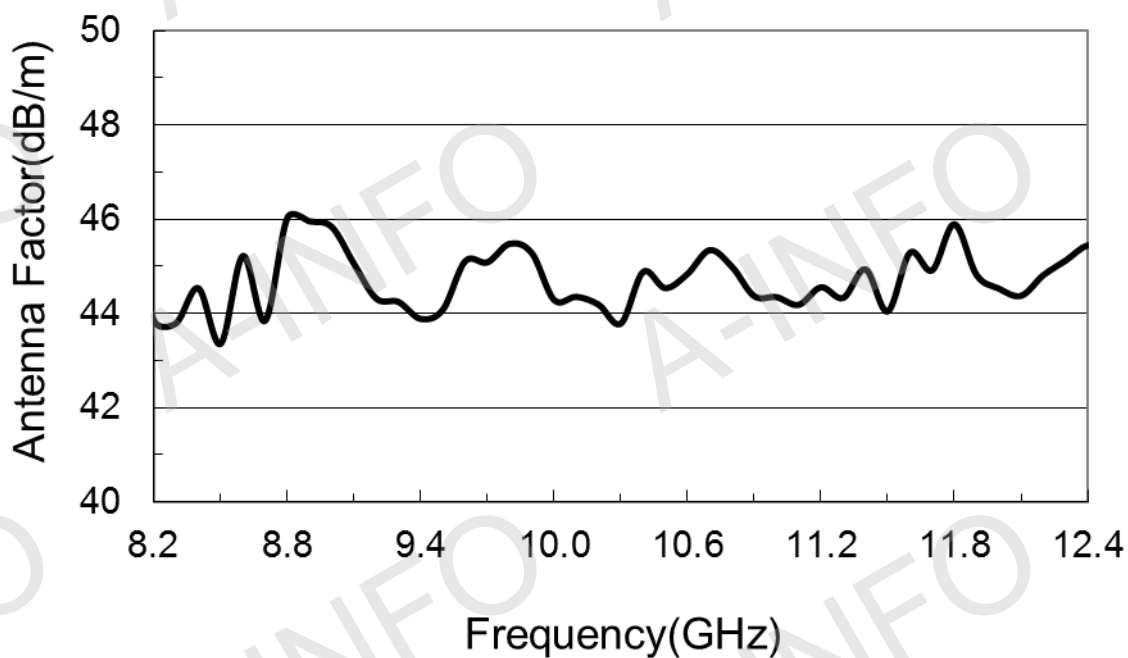
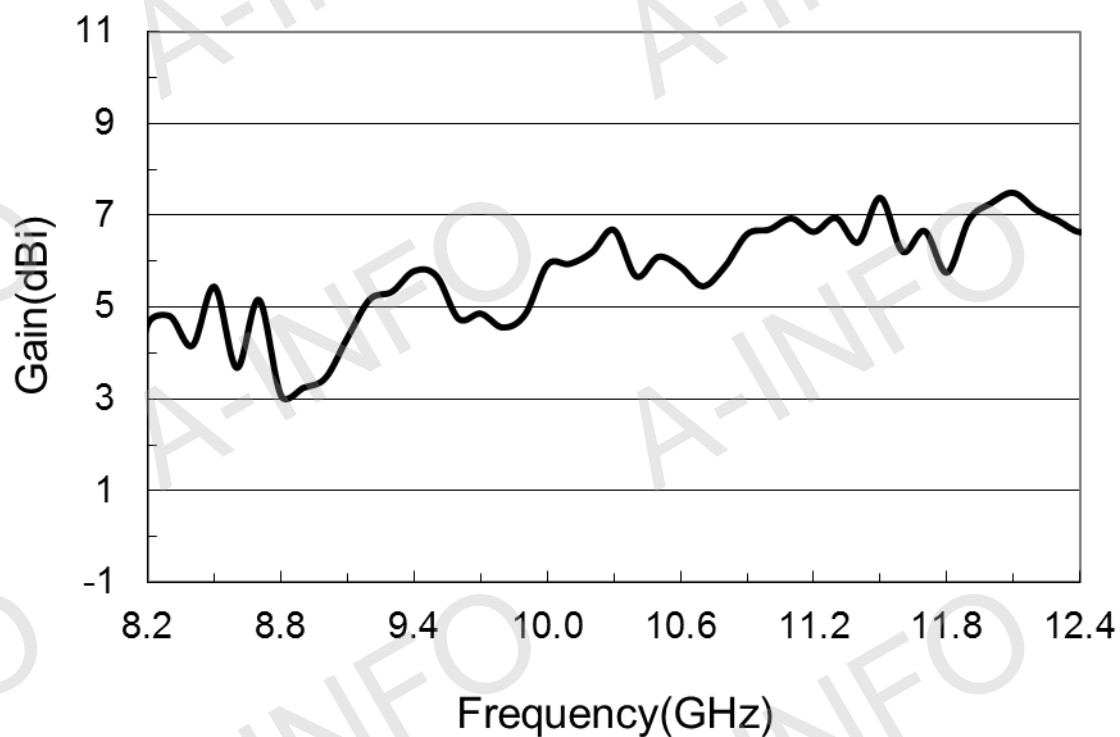
90EWGS-A1 (With SMA-Female Output & L Type Mounting Bracket, Equipped with Absorber)

For N-Female, TNC-Female, 7mm or 3.5mm-Female output outline drawing, please contact A-INFO.

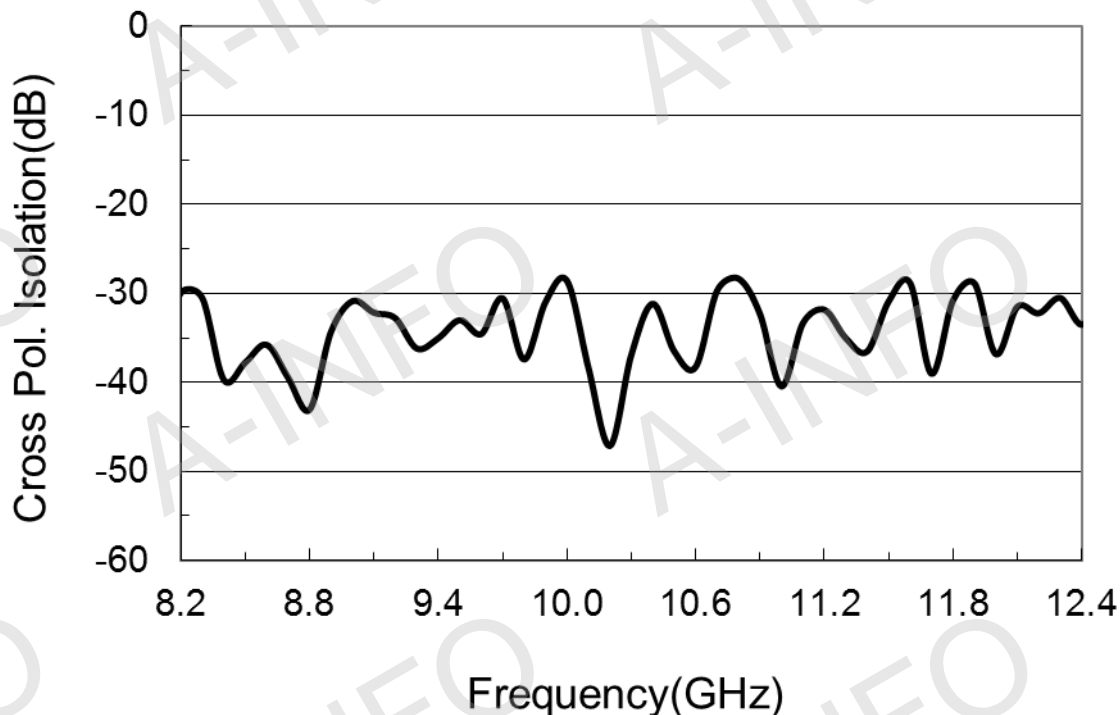


Test Results

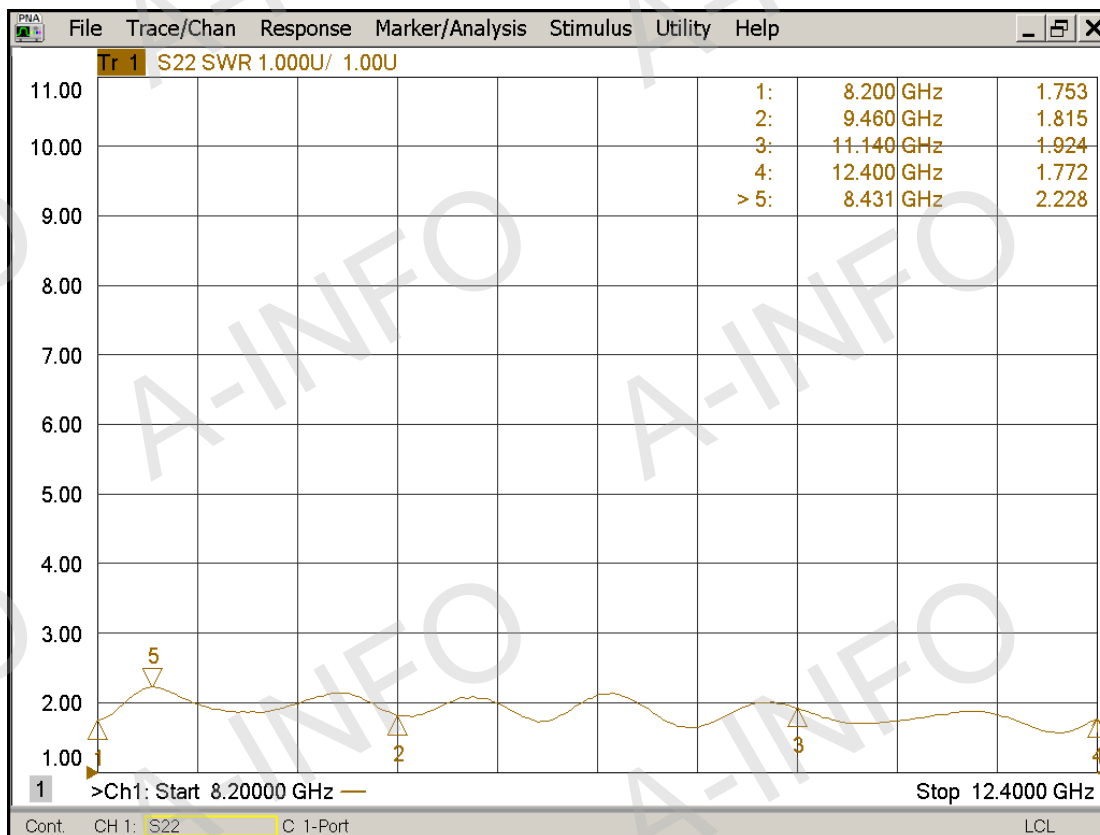
1. Gain & Antenna Factor



2. Cross Polarization Isolation



3. VSWR



4. Pattern

