

Technical Specification

90EWGS-T02



90EWGS-T02-A1

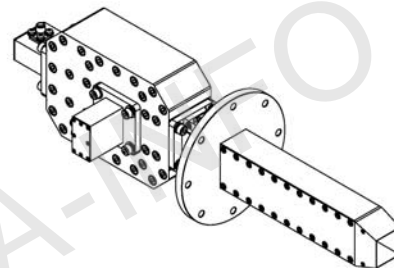
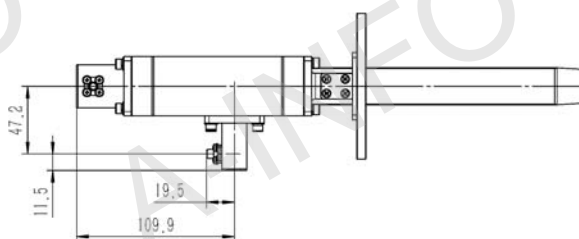
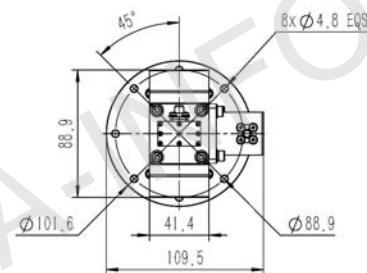
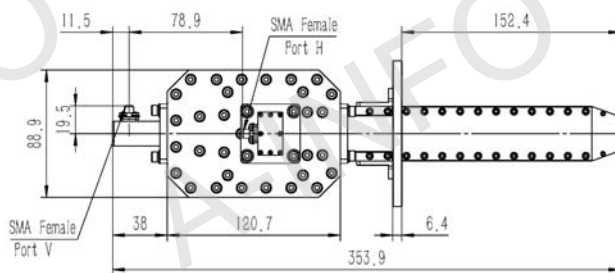


Frequency Range(GHz)	8.2 – 12.4
Waveguide	WR90
Gain(dBi)	8 Typ.
Polarization	Dual Linear
3dB Beamwidth(deg)	E Plane: 60 Typ.
	H Plane: 65 Typ.
Cross Pol. Isolation(dB)	35 Typ.
Port to Port Isolation(dB)	50 Typ.
VSWR	1.50:1 Typ.
Output	SMA-Female or N-Female or TNC-Female or 7mm or 3.5mm-Female
Material	Al
Size(mm)	90EWGx-T02: 109.5 x 101.6 x 353.9
	90EWGx-T02-A1: 399.6 x 399.6 x353.9
Net Weight(Kg)	90EWGx-T02: 1.55 Around
	90EWGx-T02-A1: 3.68 Around

Outline Drawing (Size: mm)

SMA-Female Output (P/N: 90EWGS-T02)

For N-Female, TNC-Female, 7mm or 3.5mm-Female output outline drawing, please contact A-INFO.



AINFO Inc.

Page 1 of 9

China(Beijing):
China(Chengdu):
USA :

Tel: (+86) 10-6266-7326,
Tel: (+86) 28-8519-2786,
Tel: (+1) 949-639-9688,

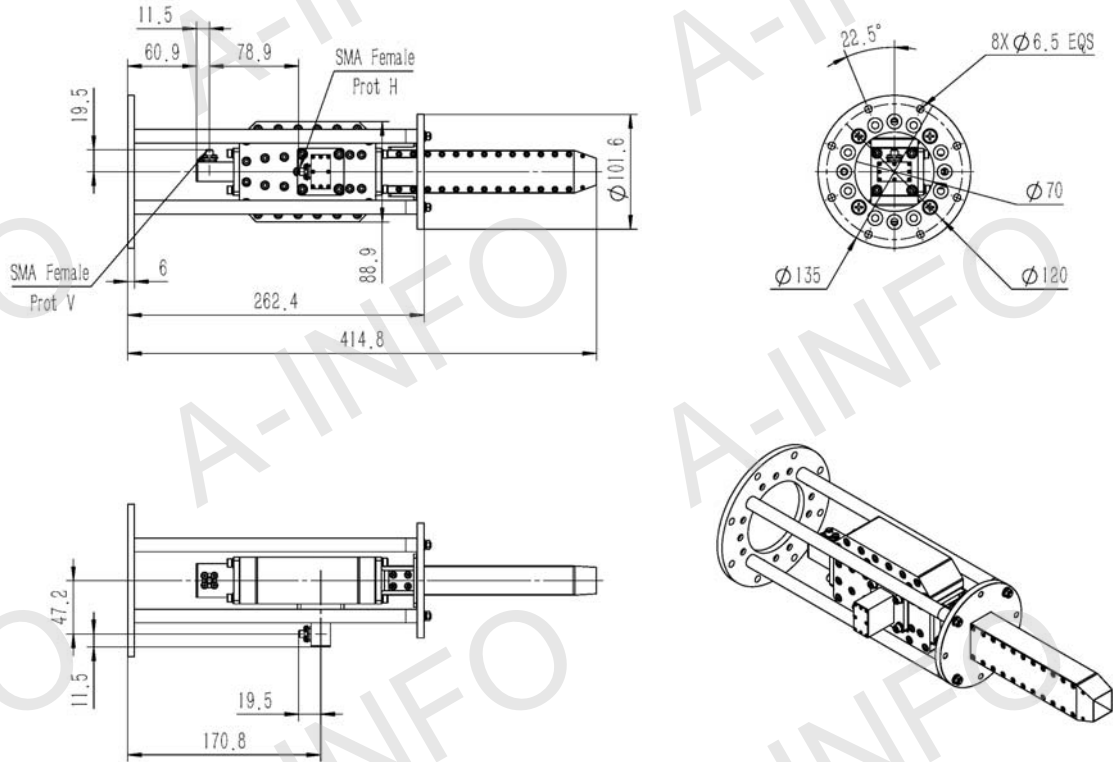
(+86) 10-6266-7327
(+86) 28-8519-3044
(+1) 949-639-9608

Fax: (+86) 10-6266-7379
Fax: (+86) 28-8519-3068
Fax: (+1) 949-639-9670

Website: www.ainfoinc.com
Email: sales@ainfoinc.com

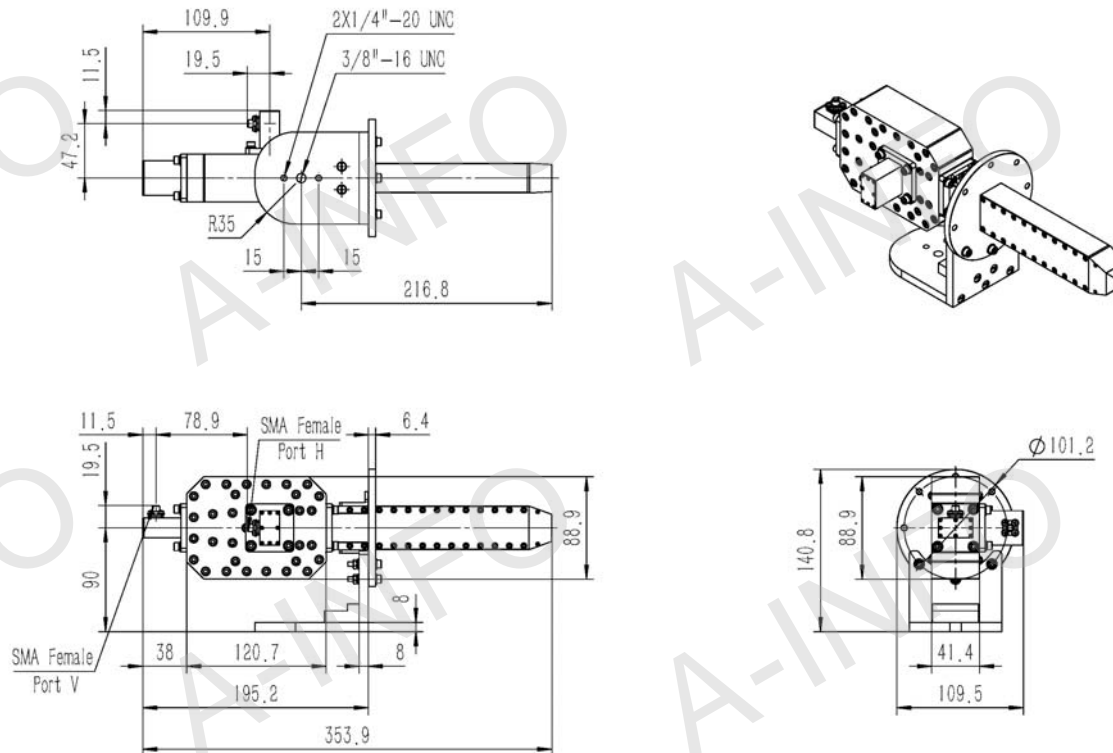
SMA-Female Output with Round Type Mounting Bracket (Option, P/N:EWG-MB40)

For N-Female, TNC-Female, 7mm or 3.5mm-Female output outline drawing, please contact A-INFO.



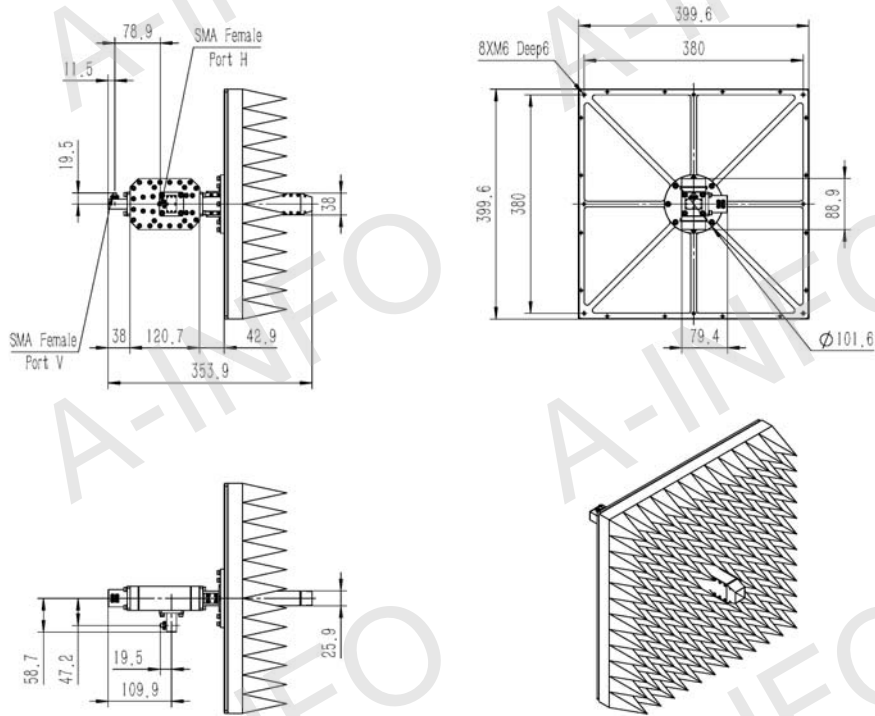
SMA-Female Output with L Type Mounting Bracket (Option, P/N: EWG-L30/FPR)

For N-Female, TNC-Female, 7mm or 3.5mm-Female output outline drawing, please contact A-INFO.



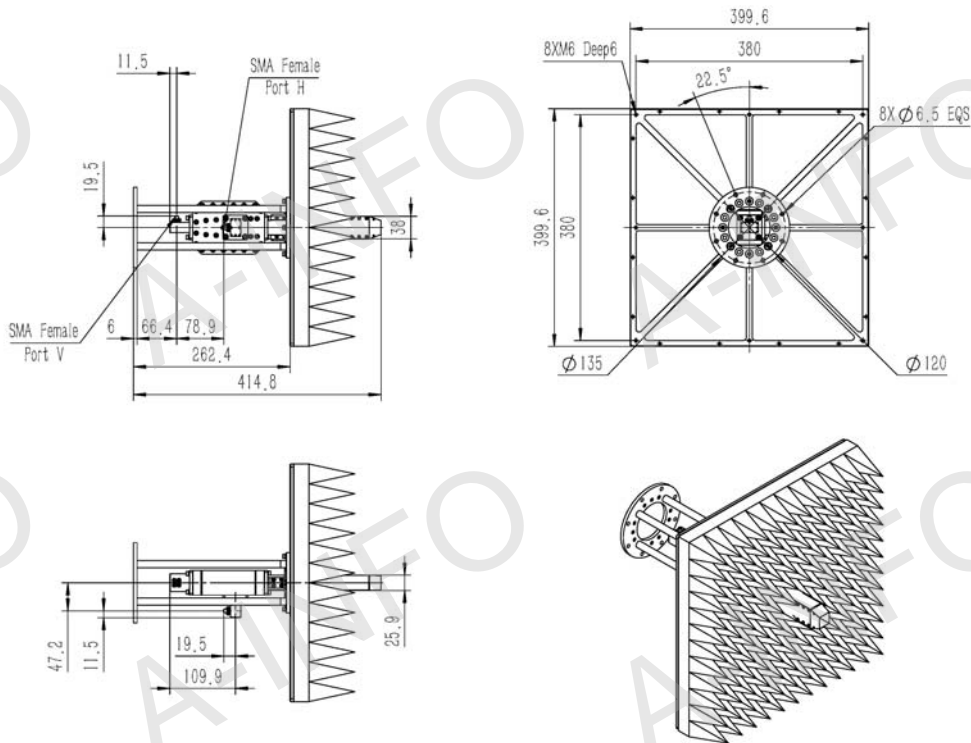
SMA-Female Output, Equipped with Absorber (Option, P/N: 90EWGS-T02-A1)

For N-Female, TNC-Female, 7mm or 3.5mm-Female output outline drawing, please contact A-INFO.



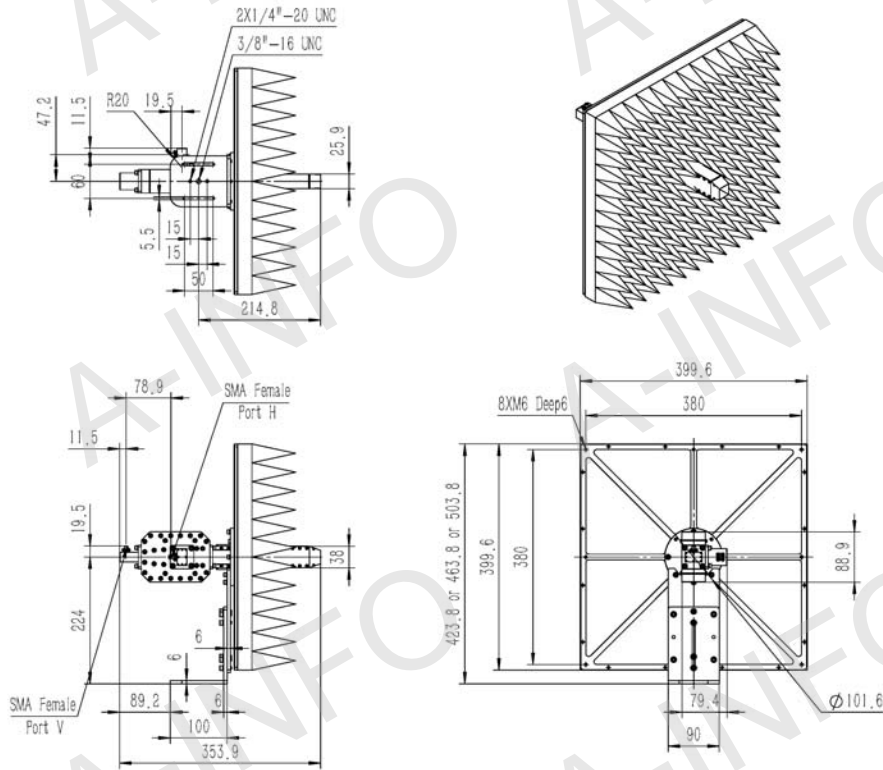
SMA-Female Output with Round Mounting Bracket & Equipped with Absorber (Option, P/N: EWG-MB40 & 90EWGS-T02-A1)

For N-Female, TNC-Female, 7mm or 3.5mm-Female output outline drawing, please contact A-INFO.



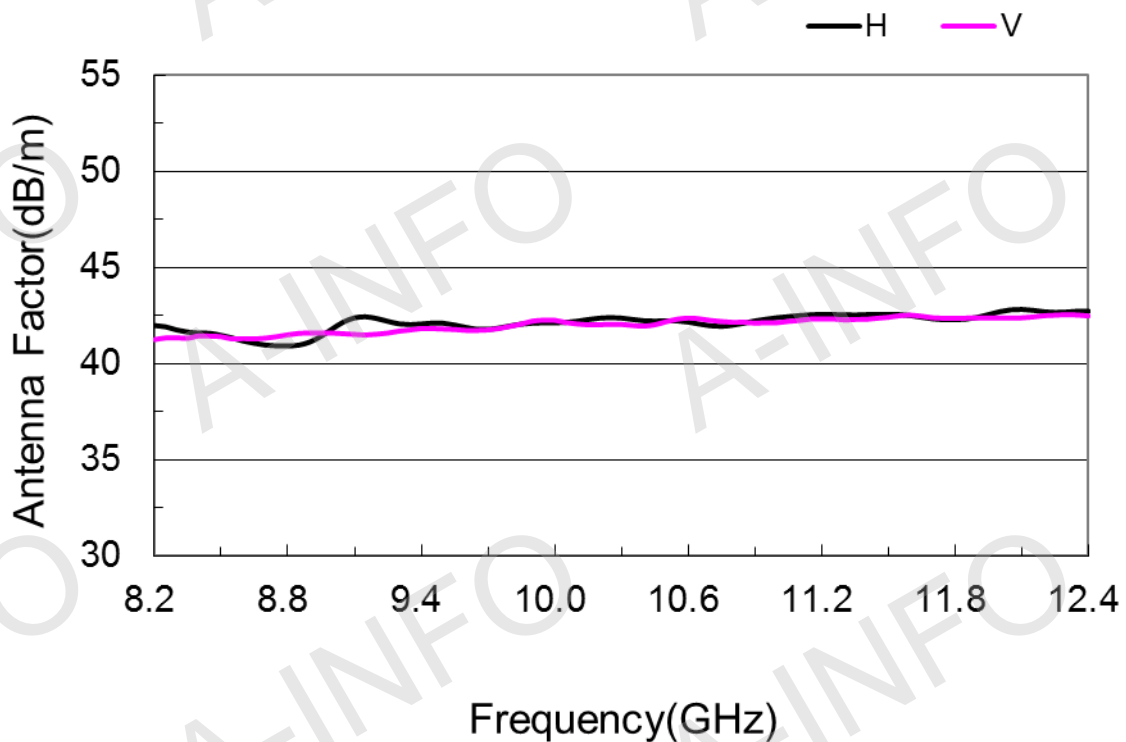
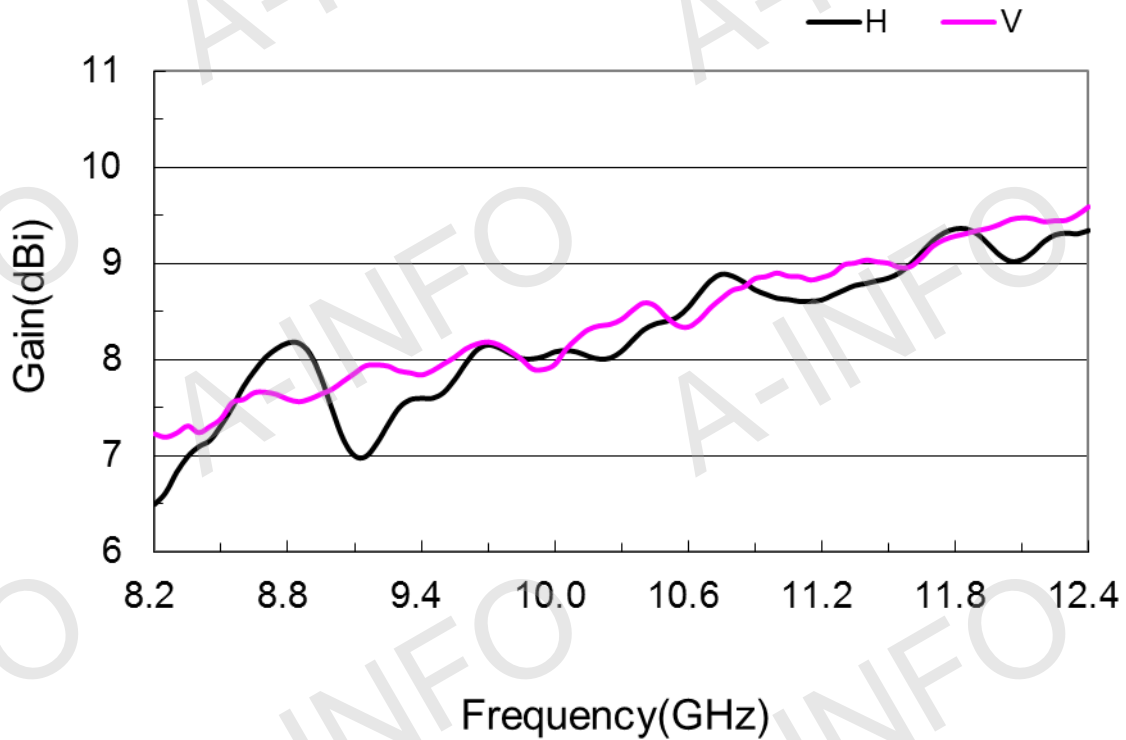
SMA-Female Output with L Type Mounting Bracket & Equipped with Absorber (Option, P/N: EWG-L40 & 90EWGS-T02-A1)

For N-Female, TNC-Female, 7mm or 3.5mm-Female output outline drawing, please contact A-INFO.

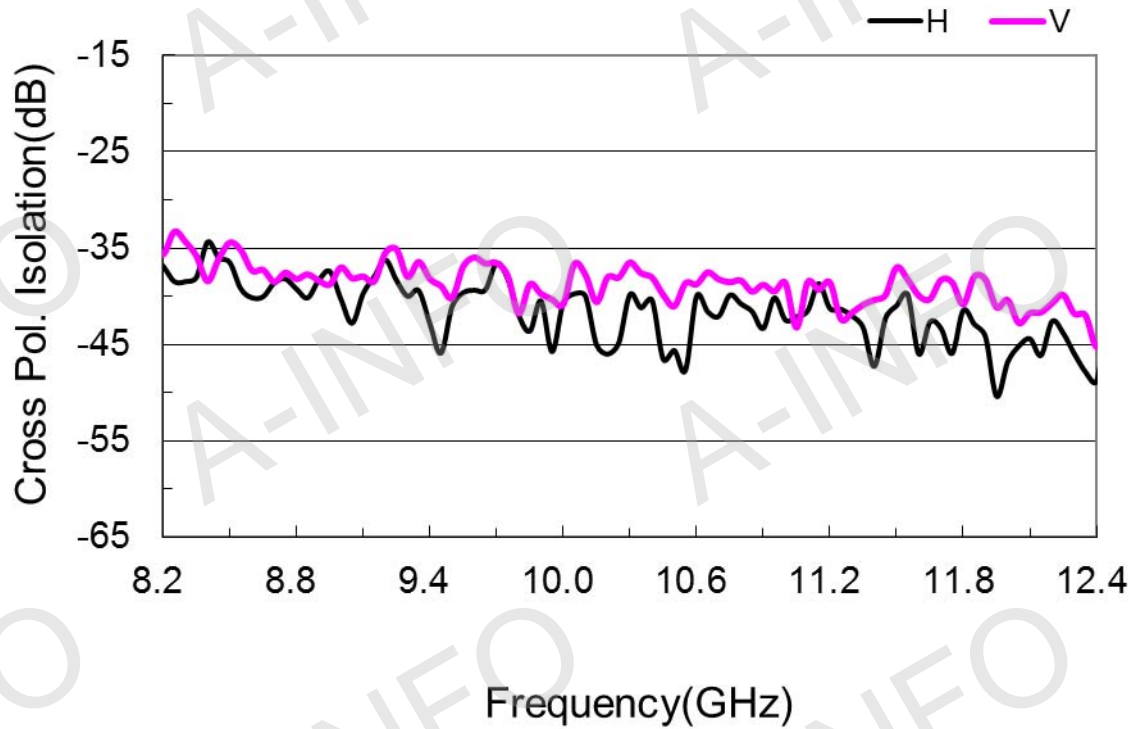


Test Results

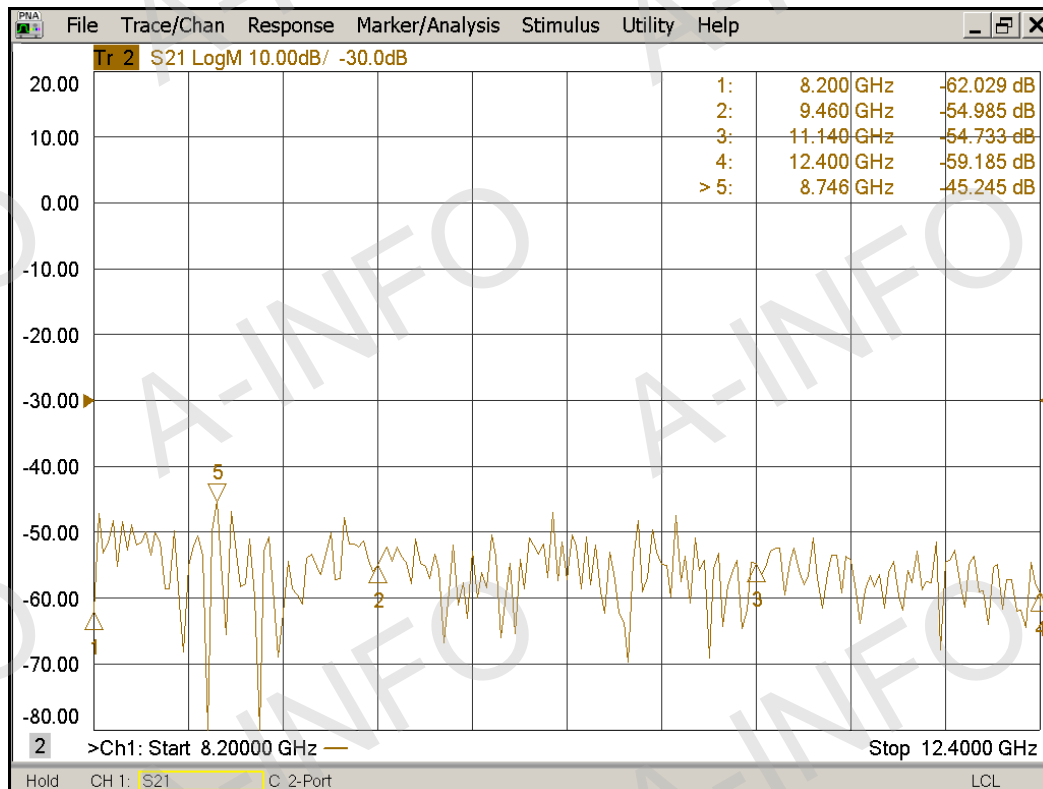
1. Gain & Antenna Factor



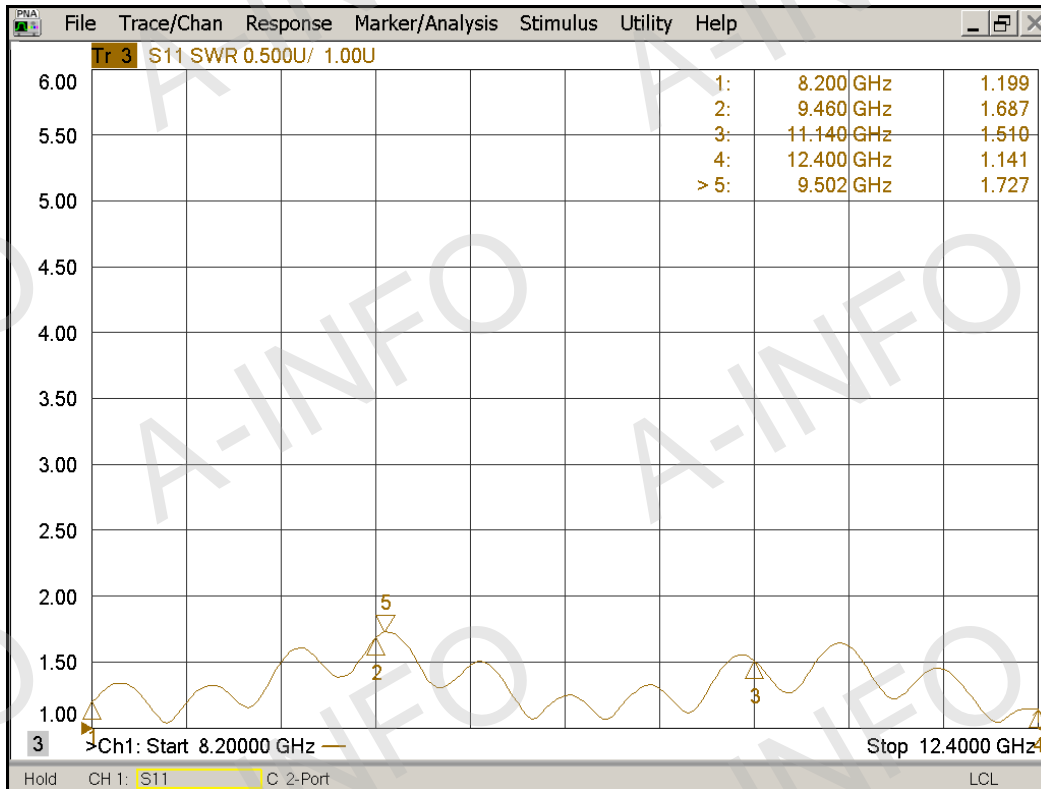
2. Cross Polarization Isolation



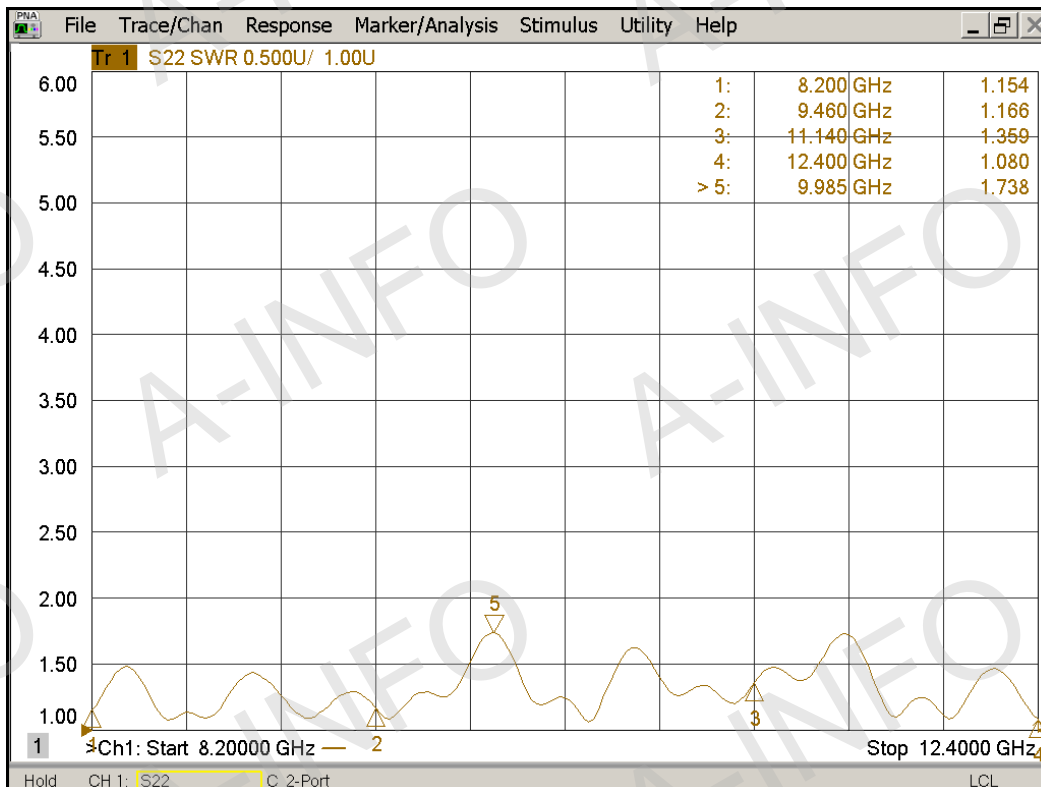
3. Port to Port Isolation



4. VSWR Port-H



Port-V



5. Pattern

