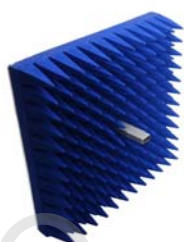


Technical Specification

90EWGES



90EWGES-A1

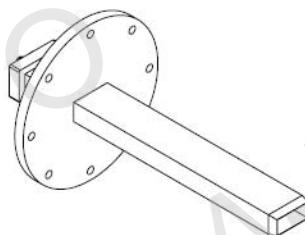
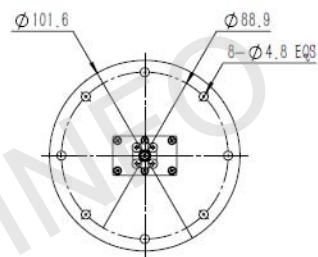
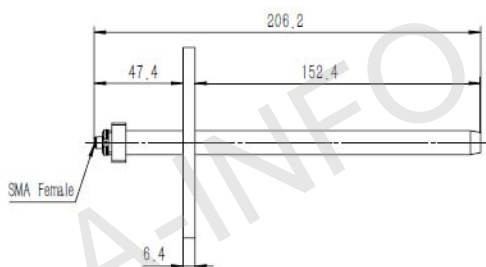


Frequency Range(GHz)	8.2 - 12.4	
Waveguide	WR90	
Gain(dBi)	5 Typ.	
Polarization	Linear	
3dB Beamwidth(deg)	E Plane:	83 Typ.
	H Plane:	47 Typ.
Cross Pol. Isolation(dB)	30 Typ.	
VSWR	2.0:1 Typ.	
Output	Endlaunch SMA-Female or Endlaunch N-Female	
Material	Al	
Size(mm)	90EWGEx:	101.6 x 101.6 x 206.2
	90EWGEx-A1:	399.6 x 399.6 x 206.2
Net Weight(Kg)	90EWGEx:	0.2 Around
	90EWGEx-A1:	2.45 Around

Outline Drawing (Size: mm)

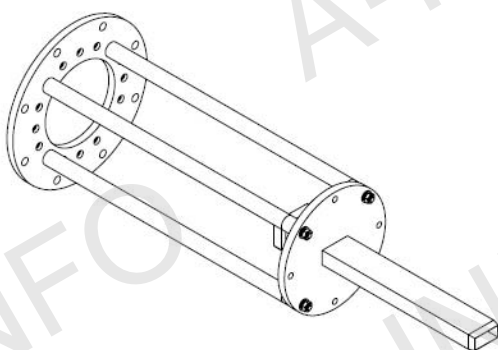
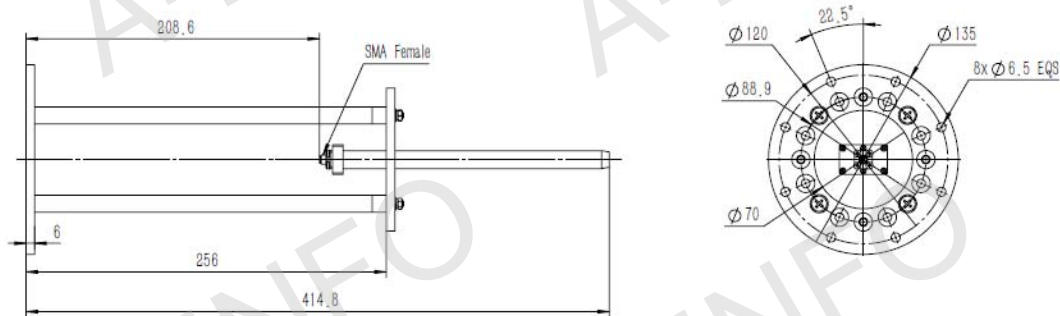
90EWGES (With Endlaunch SMA-Female Output)

For Endlaunch N-Female output outline drawing, please contact A-INFO.



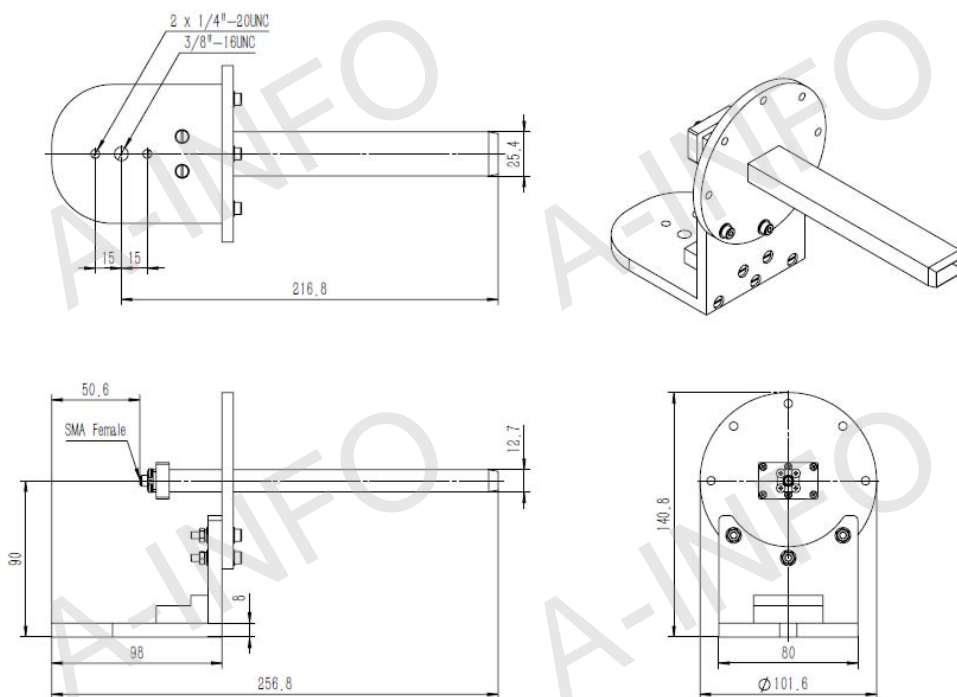
90EWGES (With Endlaunch SMA-Female Output & Round Mounting Bracket)

For Endlaunch N-Female output outline drawing, please contact A-INFO.



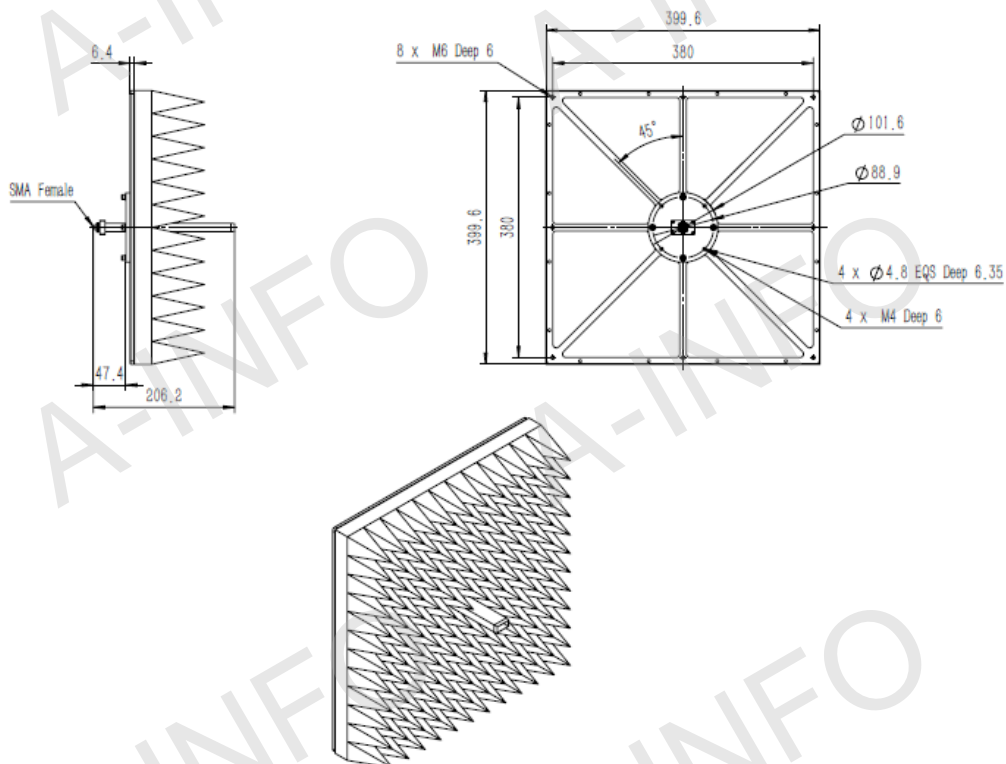
90EWGES (With Endlaunch SMA-Female Output & L Type Mounting Bracket)

For Endlaunch N-Female output outline drawing, please contact A-INFO.



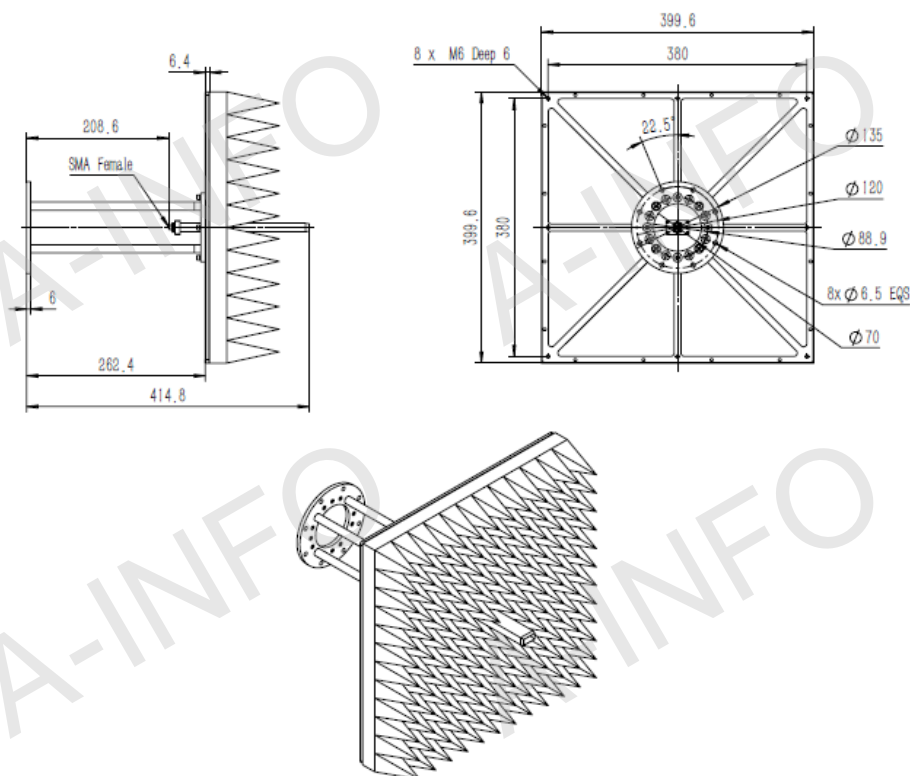
90EWGES-A1 (With Endlaunch SMA-Female Output, Equipped with Absorber)

For Endlaunch N-Female output outline drawing, please contact A-INFO.



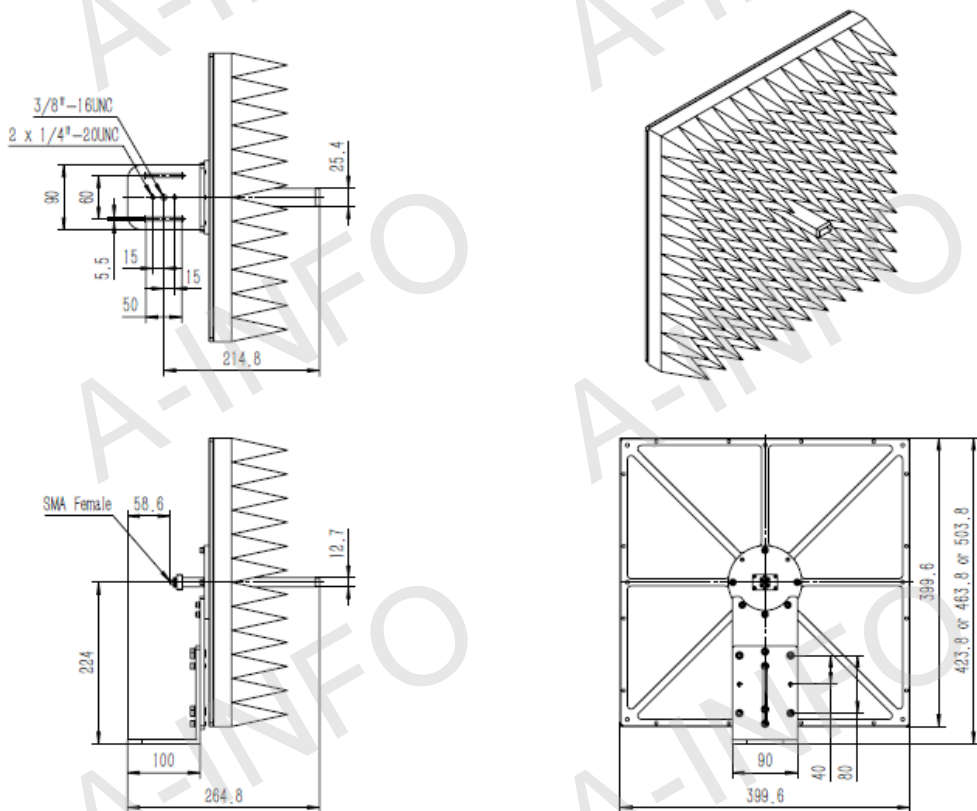
90EWGES-A1 (With Endlaunch SMA-Female Output & Round Mounting Bracket, Equipped with Absorber)

For Endlaunch N-Female output outline drawing, please contact A-INFO.



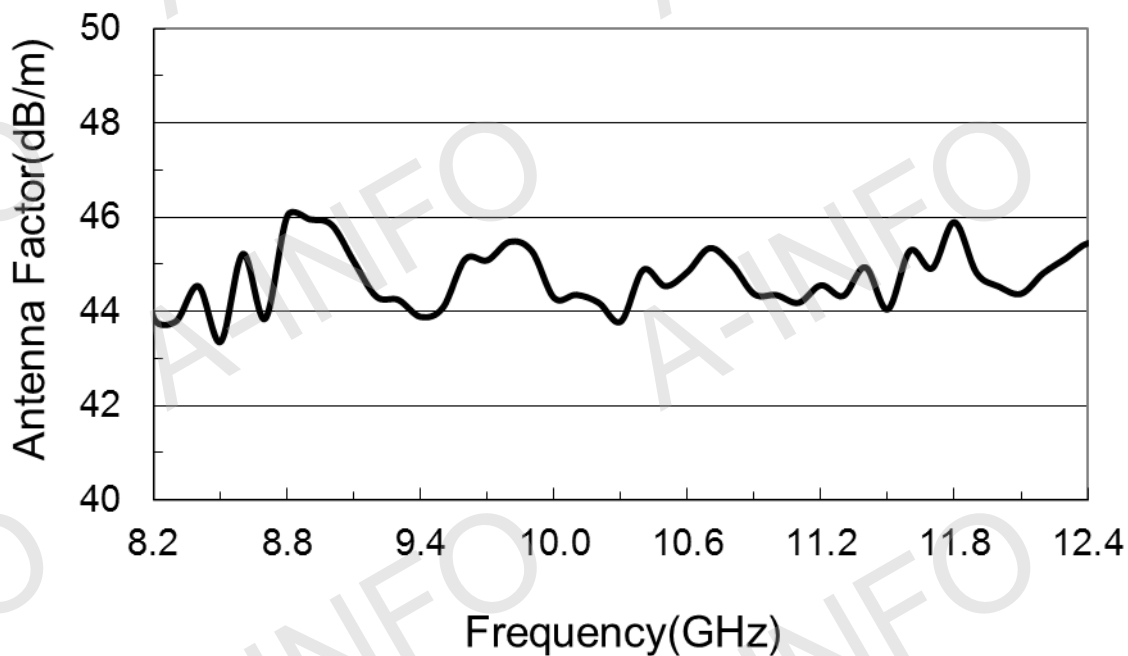
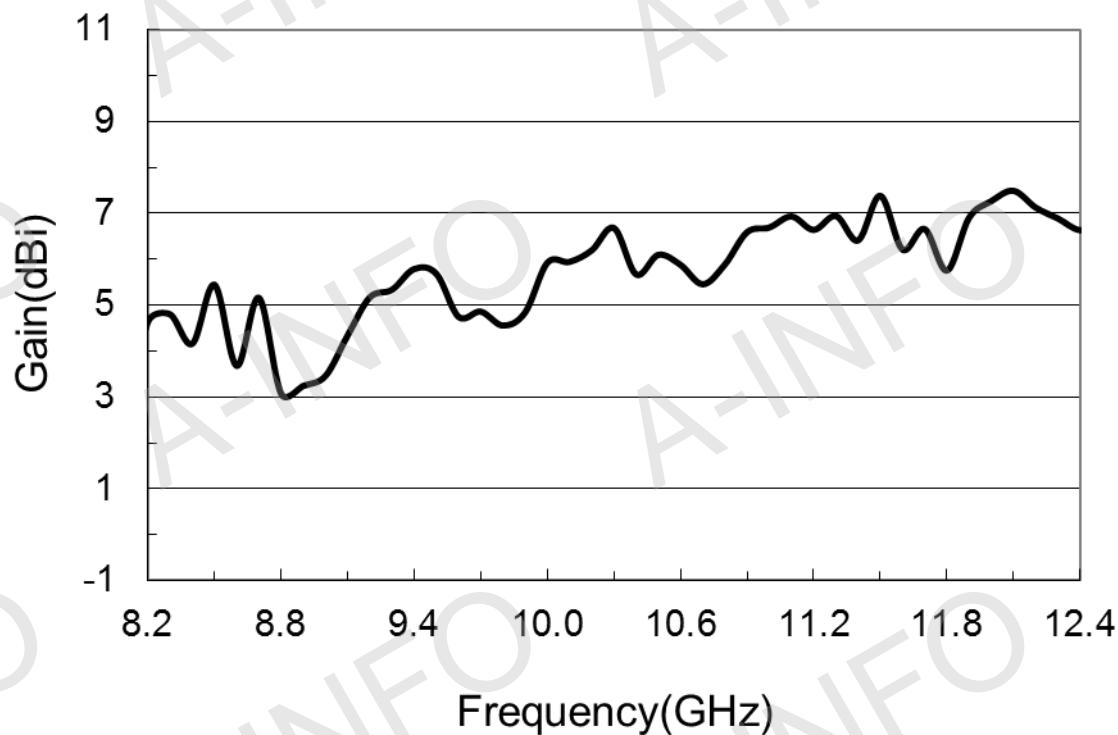
90EWGES-A1 (With Endlaunch SMA-Female Output & L Type Mounting Bracket, Equipped with Absorber)

For Endlaunch N-Female output outline drawing, please contact A-INFO.

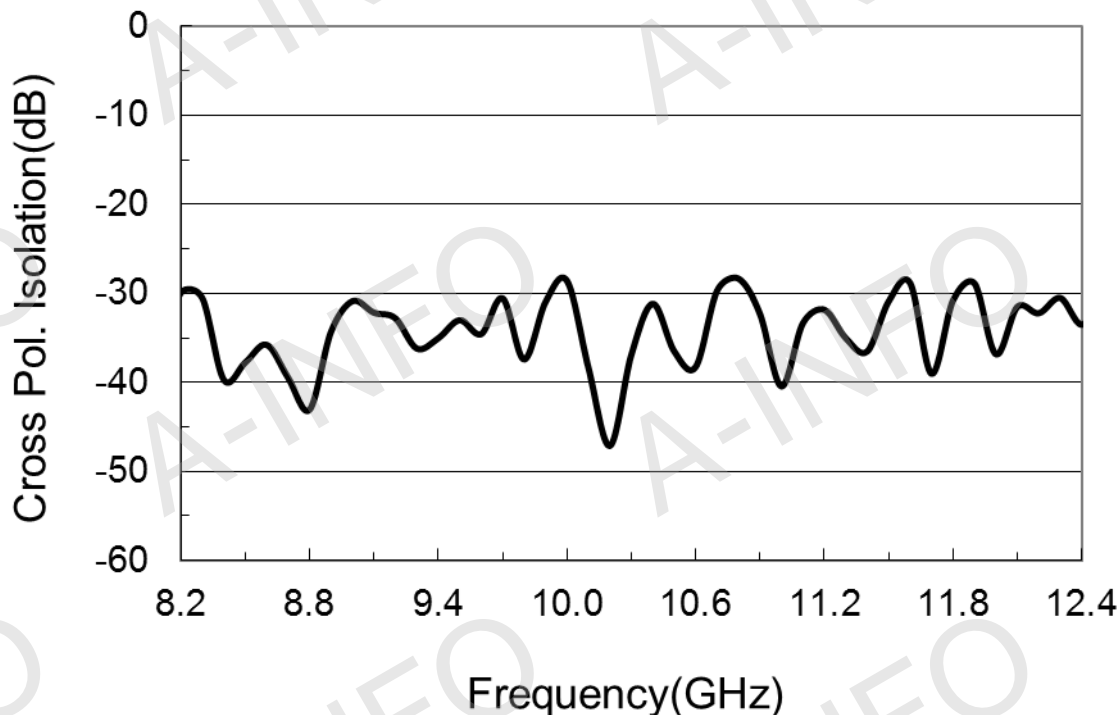


Test Results

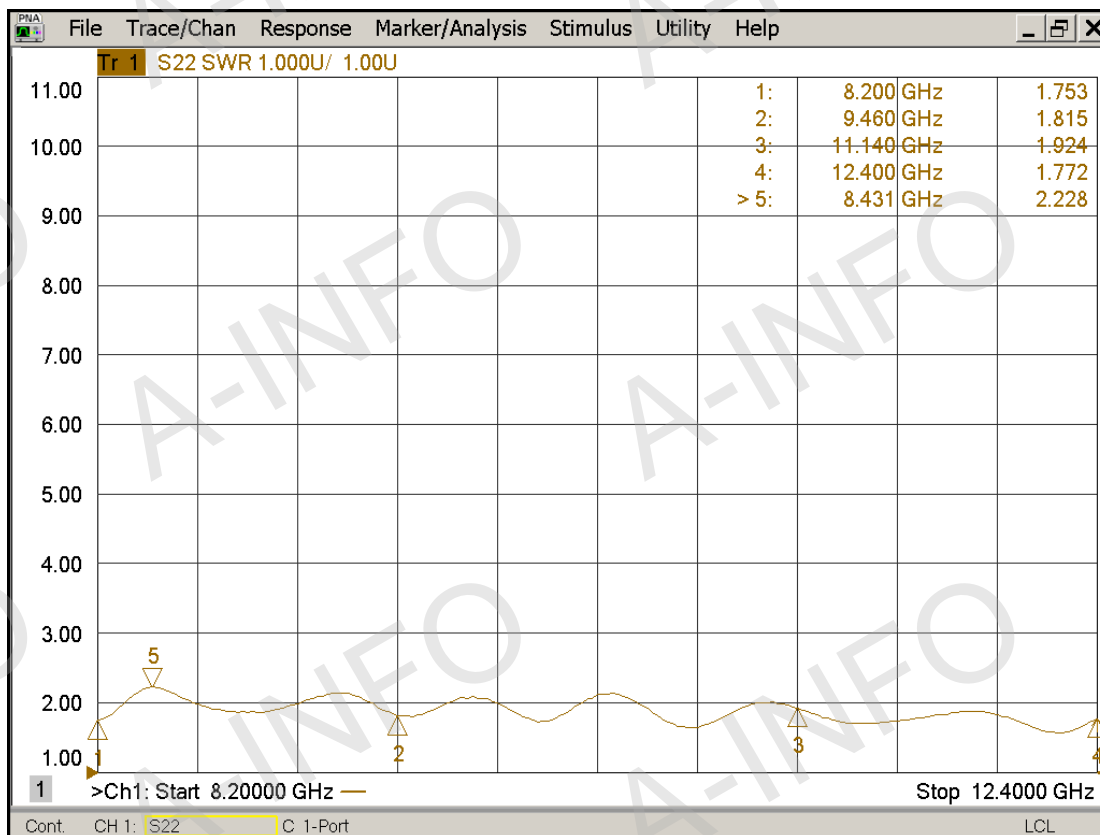
1. Gain & Antenna Factor



2. Cross Polarization Isolation



3. VSWR



4. Pattern

