

Technical Specification

90EWG-T02



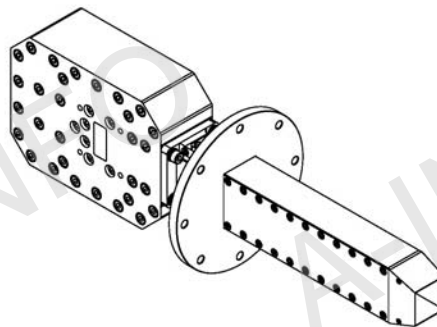
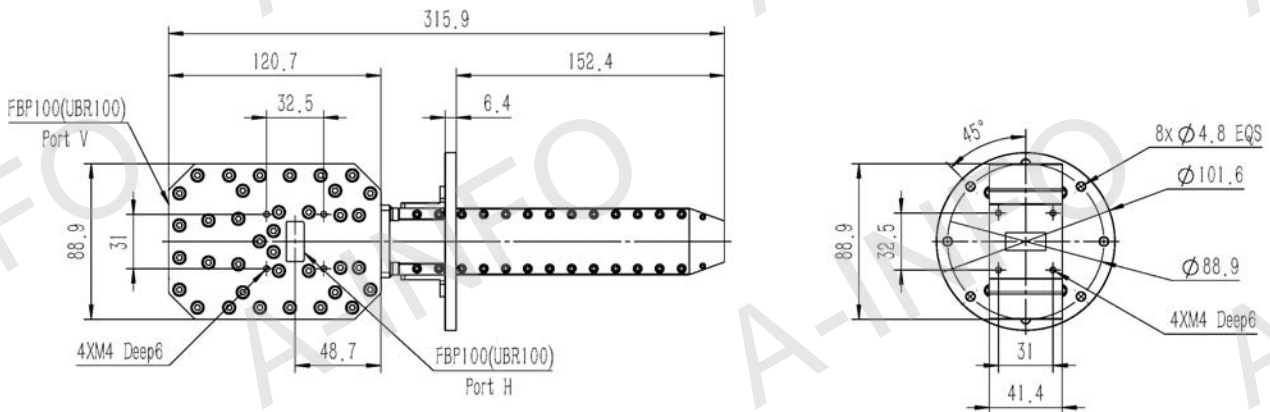
90EWG-T02-A1



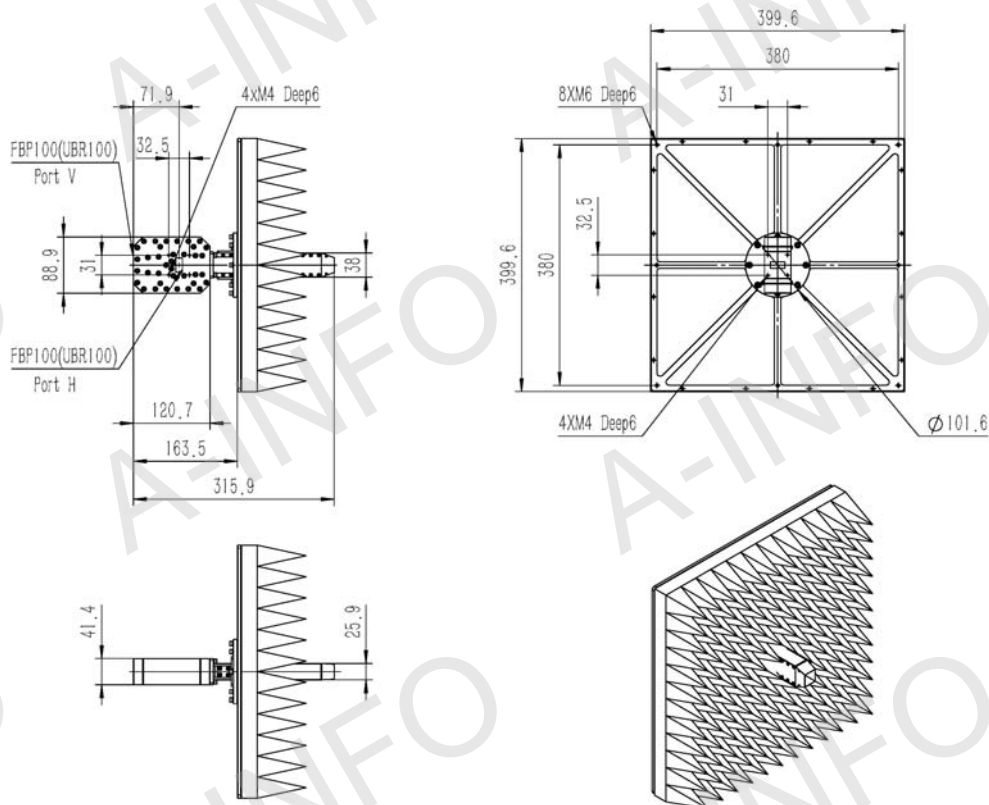
Frequency Range(GHz)	8.2 – 12.4	
Waveguide	WR90	
Gain(dBi)	8 Typ.	
Polarization	Dual Linear	
3dB Beamwidth(deg)	E Plane:	60 Typ.
	H Plane:	65 Typ.
Cross Pol. Isolation(dB)	35 Typ.	
Port to Port Isolation(dB)	50 Typ.	
VSWR	1.40:1 Typ.	
Output	FBP100(UBR100)	
Material	Al	
Size(mm)	90EWG-T02:	101.6 x 101.6 x 315.9
	90EWG-T02-A1:	399.6 x 399.6 x 315.9
Net Weight(Kg)	90EWG-T02:	1.41 Around
	90EWG-T02-A1:	3.54 Around

Outline Drawing (Size: mm)

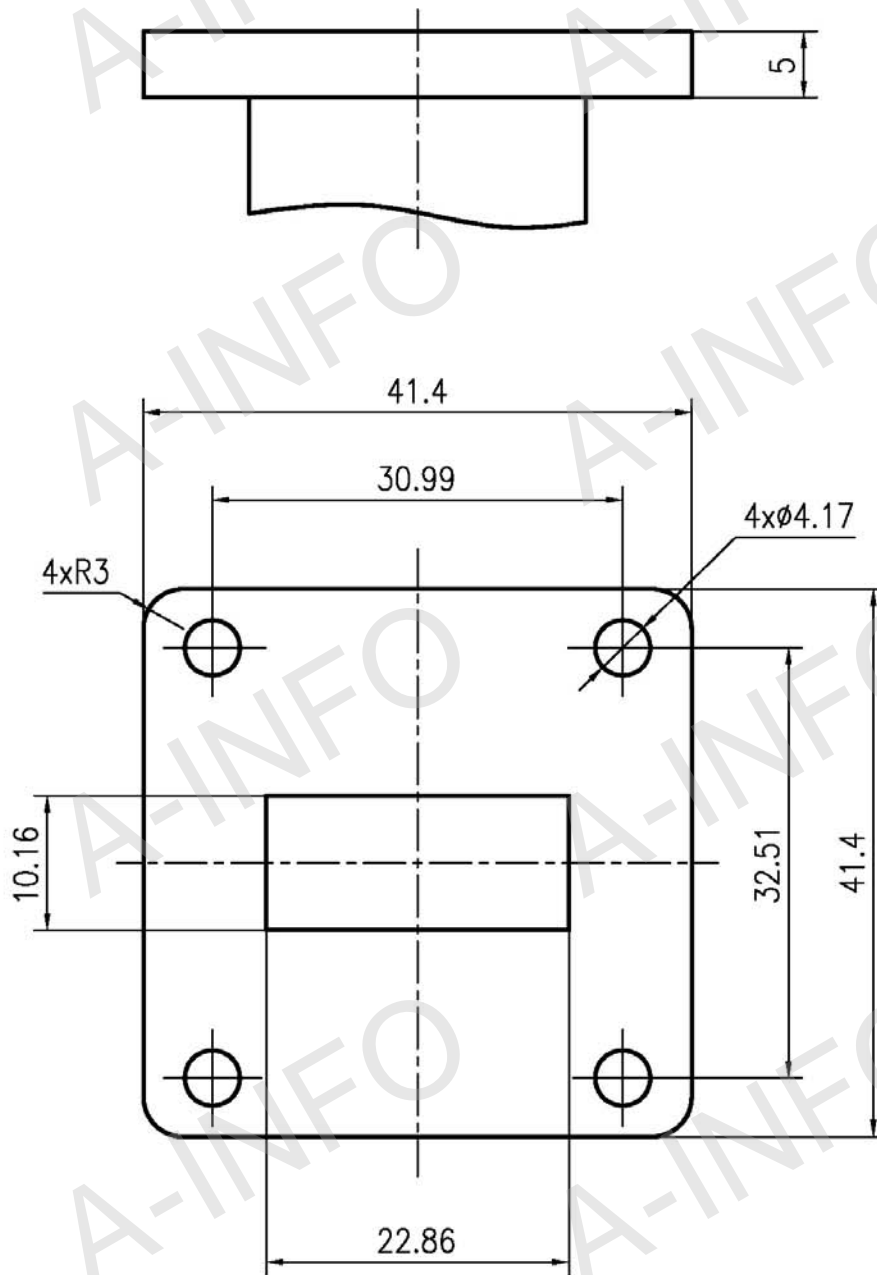
FBP100 Output(P/N: 90EWG-T02)



FBP100 Output, Equipped with Absorber (Option, P/N: 90EWG-T02-A1)



Flange Drawing (Size: mm)



FBP100

AINFO Inc.

Page 3 of 8

China(Beijing):
China(Chengdu):
USA :

Tel: (+86) 10-6266-7326,
Tel: (+86) 28-8519-2786,
Tel: (+1) 949-639-9688,

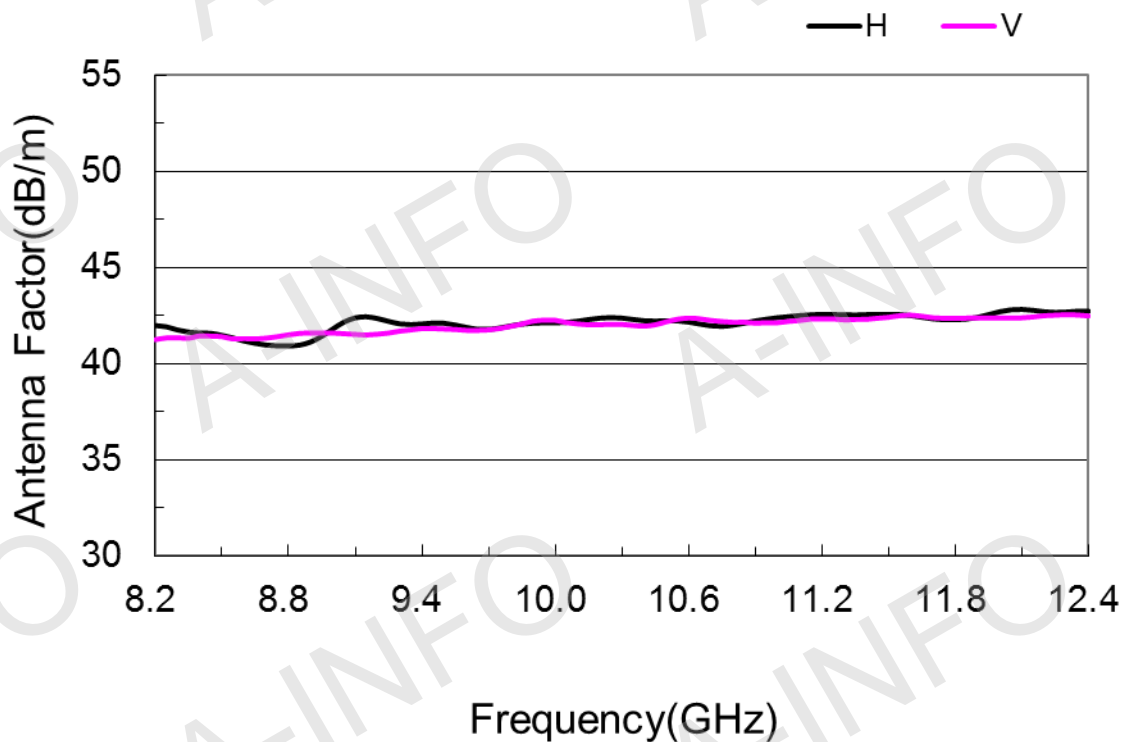
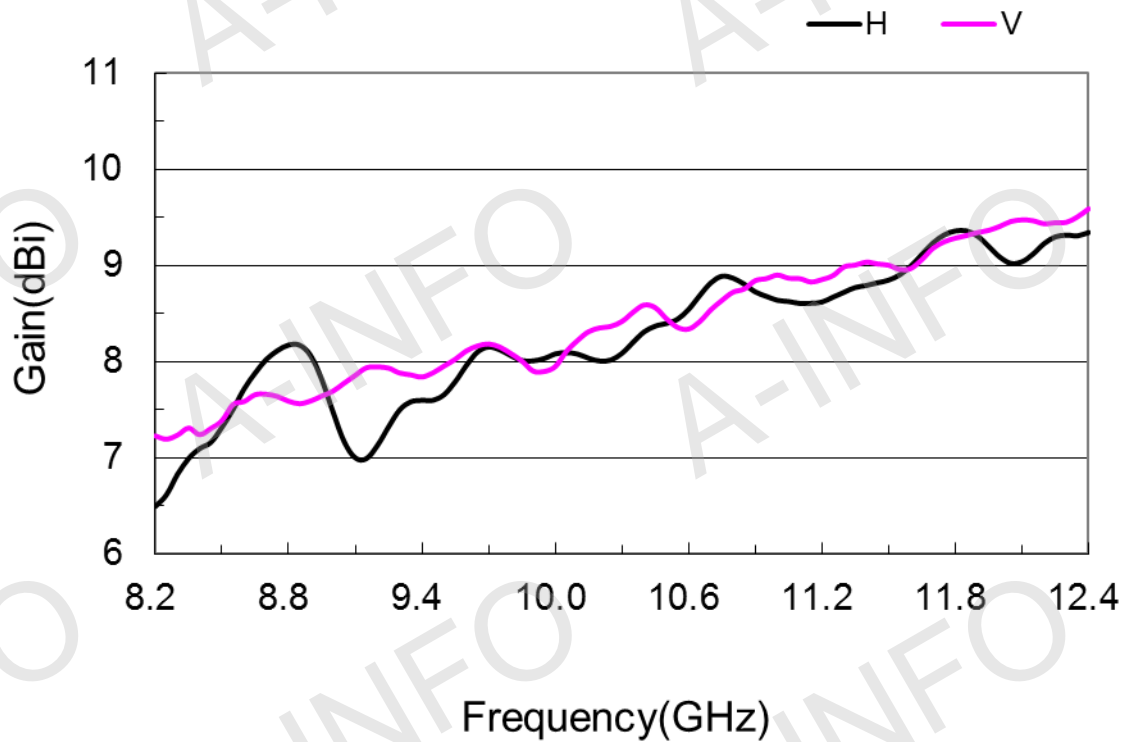
(+86) 10-6266-7327
(+86) 28-8519-3044
(+1) 949-639-9608

Fax: (+86) 10-6266-7379
Fax: (+86) 28-8519-3068
Fax: (+1) 949-639-9670

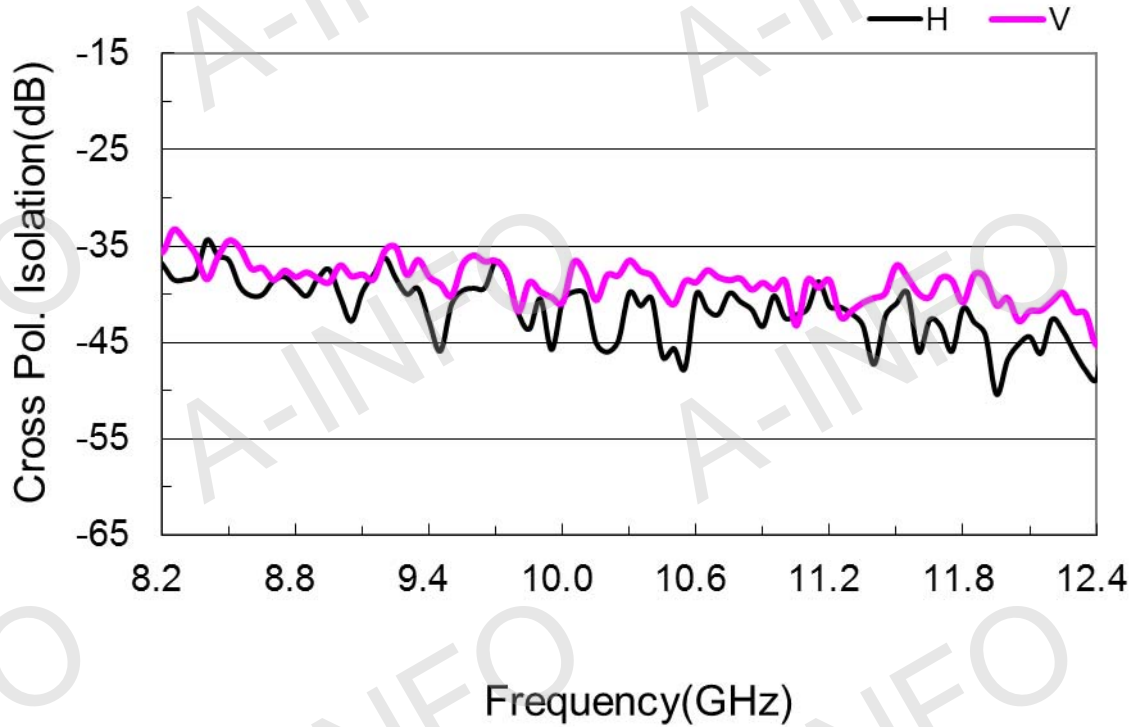
Website: www.ainfoinc.com
Email: sales@ainfoinc.com

Test Results

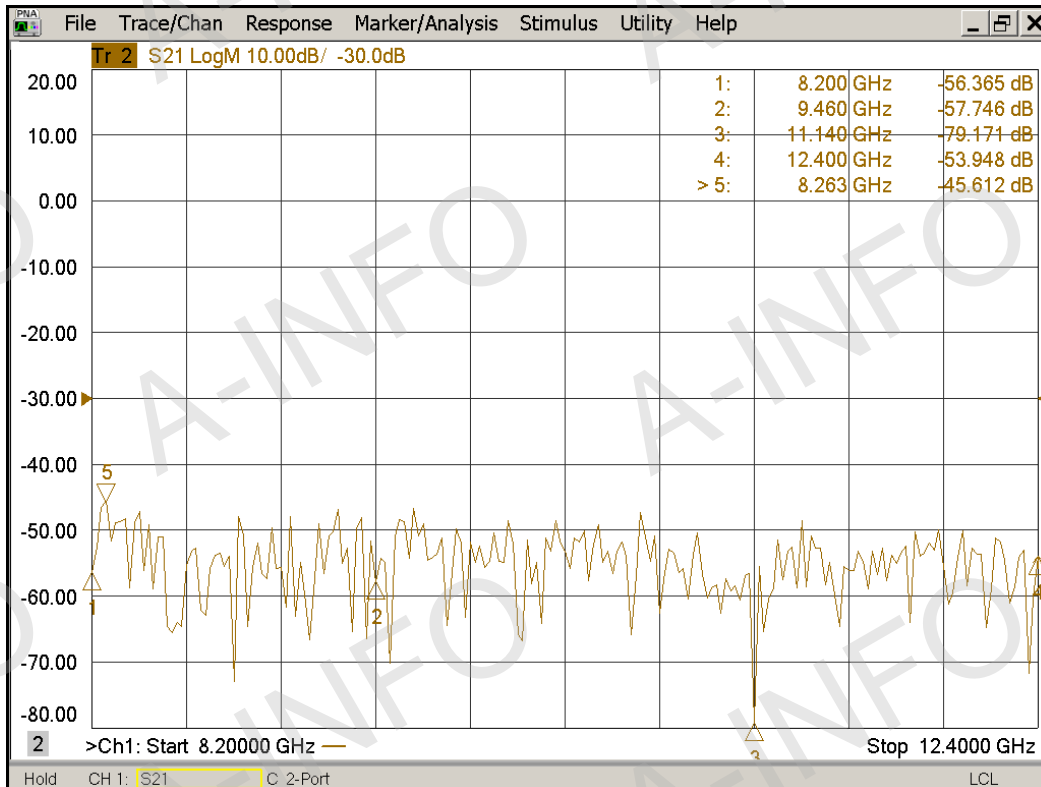
1. Gain & Antenna Factor



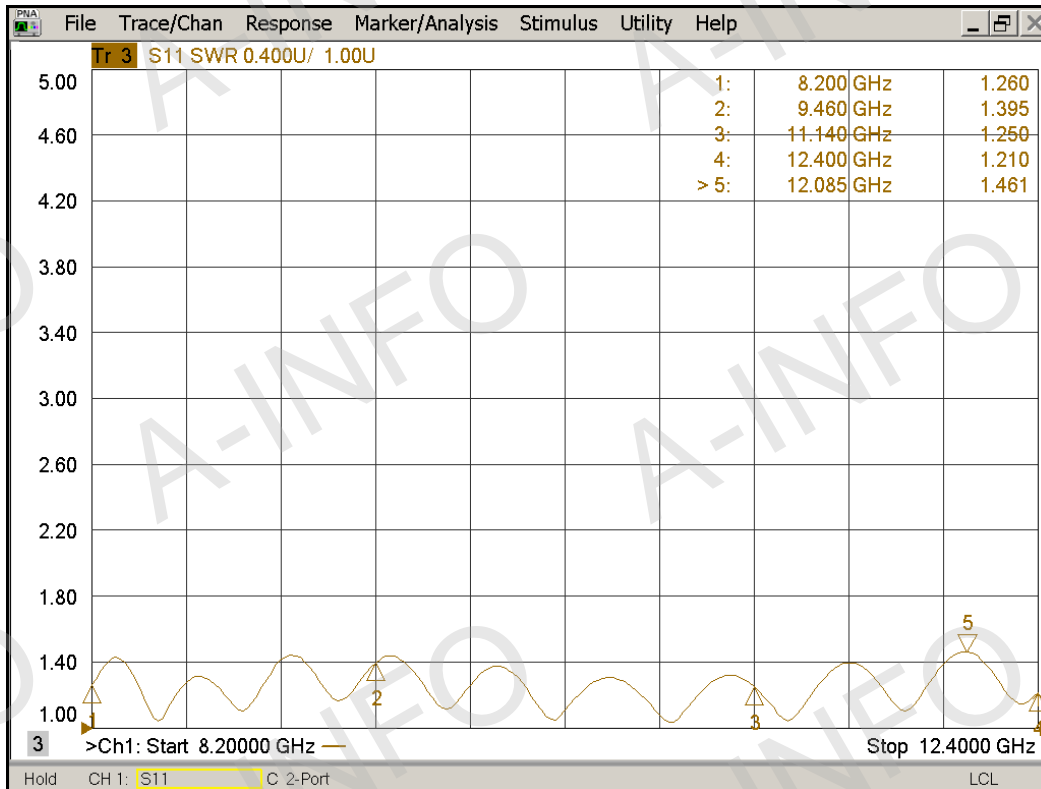
2. Cross Polarization Isolation



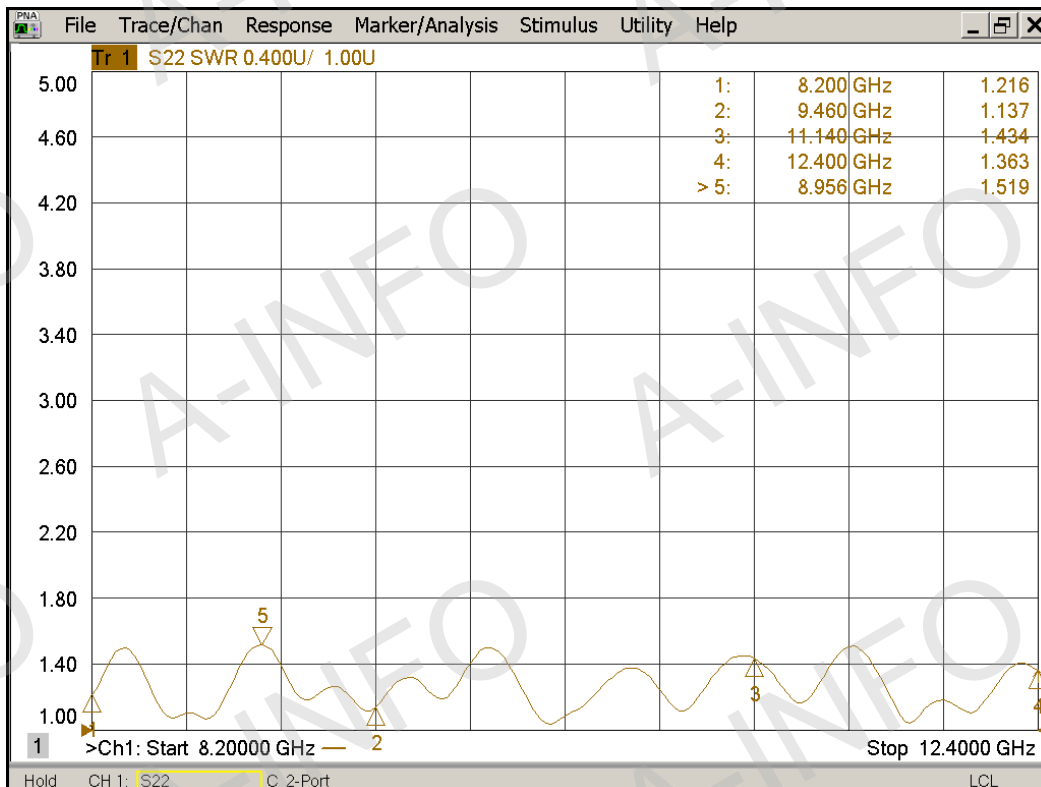
3. Port to Port Isolation



4. VSWR Port-H



Port-V



5. Pattern

