

Technical Specification

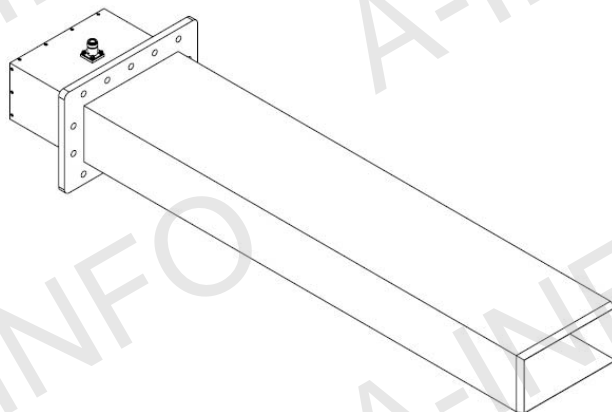
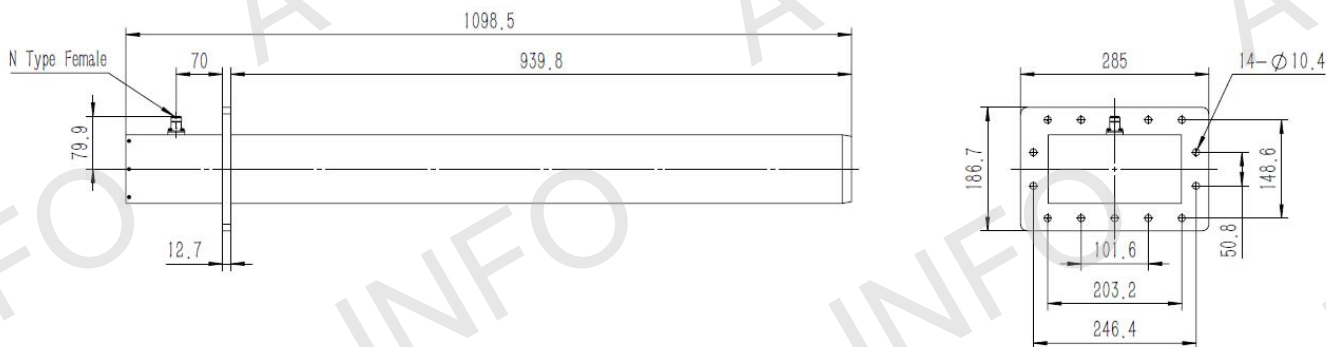
Frequency Range(GHz)	0.96 - 1.45
Waveguide	WR770
Gain(dBi)	5 Typ.
Polarization	Linear
3dB Beamwidth(deg)	E Plane: 99 Typ.
	H Plane: 65 Typ.
Cross Pol. Isolation(dB)	30 Typ.
VSWR	2.0:1 Typ.
Output	N-Female
	or SMA-Female
	or 7/16-Female
Material	Al
Size(mm)	285 x 186.7 x 1098.5
Net Weight(Kg)	6.5 Around



Outline Drawing (Size: mm)

770EWGN (With N-Female Output)

For SMA-Female or 7/16-Female output outline drawing, please contact A-INFO.



Test Results

VSWR

