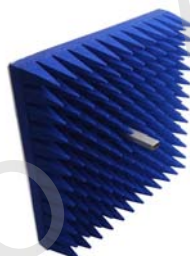


Technical Specification



75EWGS-A1

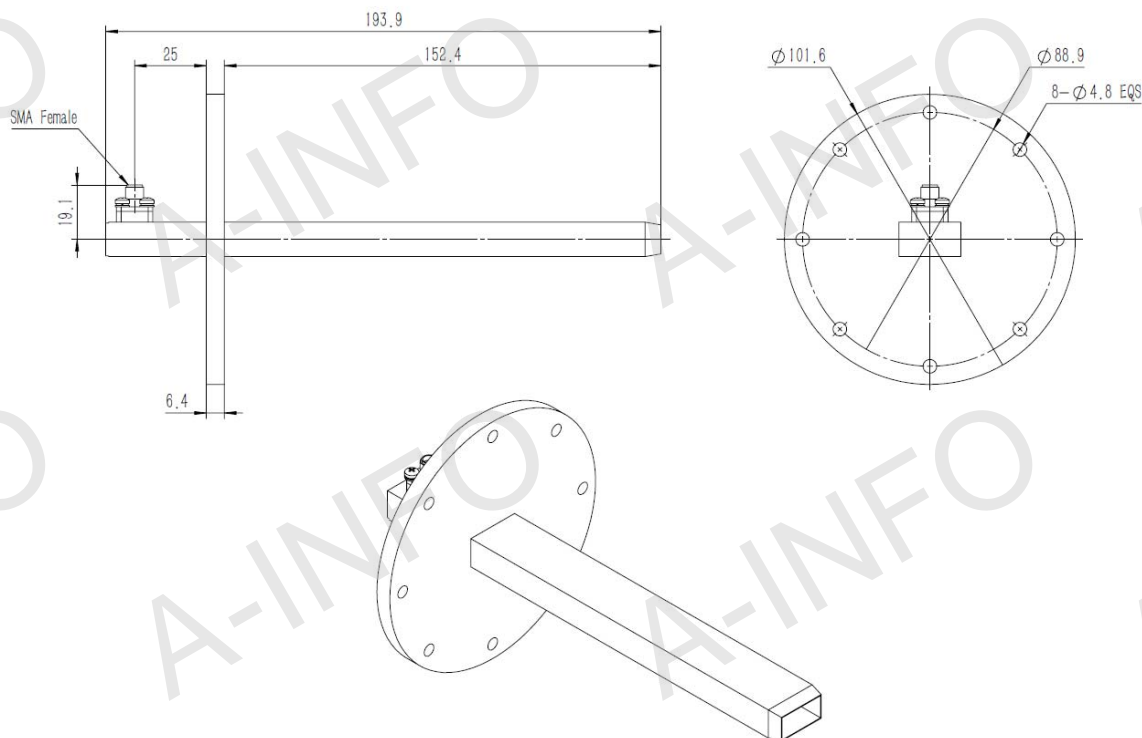


Frequency Range(GHz)	10.0 - 15.0
Waveguide	WR75
Gain(dBi)	5 Typ.
Polarization	Linear
3dB Beamwidth(deg)	E Plane: 98 Typ.
	H Plane: 60 Typ.
Cross Pol. Isolation(dB)	30 Typ.
VSWR	2.0:1 Typ.
Output	SMA-Female
	or N-Female
	or TNC-Female
	or 7mm or 3.5mm-Female
Material	Al
Size(mm)	75EWGx: 101.6 x 101.6 x 193.9
	75EWGx-A1: 399.6 x 399.6 x 193.9
Net Weight(Kg)	75EWGx: 0.2 Around
	75EWGx-A1: 2.45 Around

Outline Drawing (Size: mm)

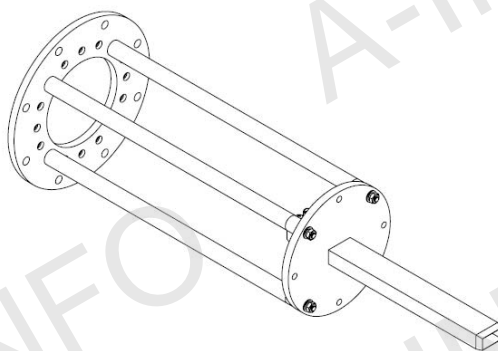
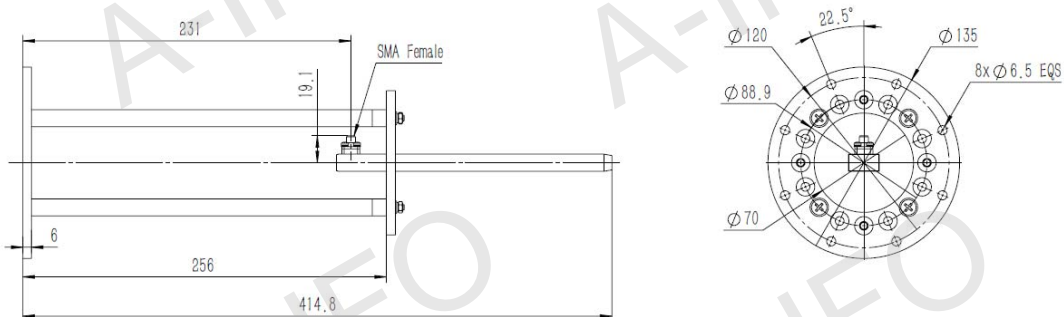
75EWGS (With SMA-Female Output)

For N-Female, TNC-Female, 7mm or 3.5mm-Female output outline drawing, please contact A-INFO.



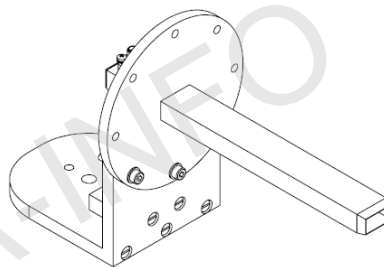
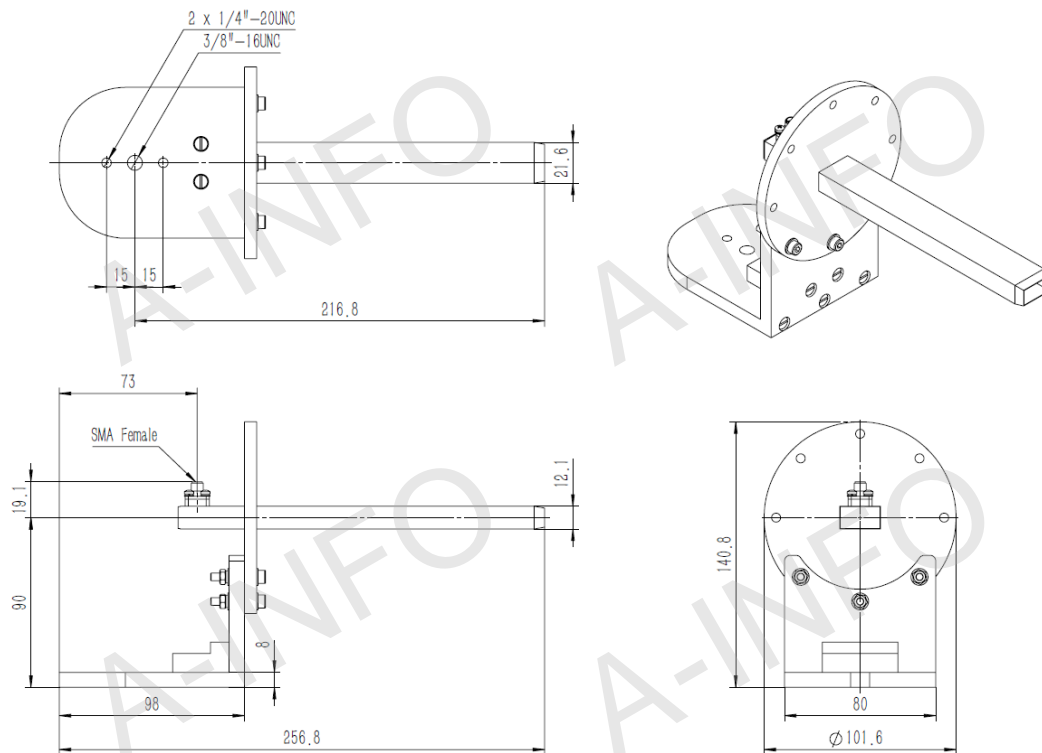
75EWGS (With SMA-Female Output & Round Mounting Bracket)

For N-Female, TNC-Female, 7mm or 3.5mm-Female output outline drawing, please contact A-INFO.



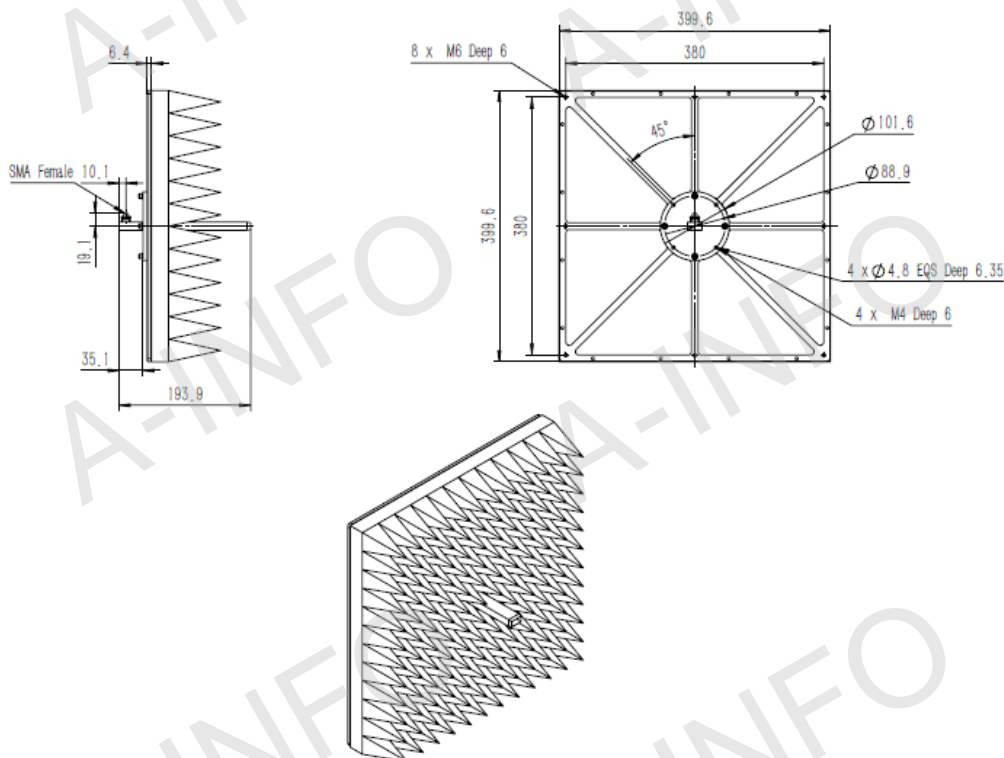
75EWGS (With SMA-Female Output & L Type Mounting Bracket)

For N-Female, TNC-Female, 7mm or 3.5mm-Female output outline drawing, please contact A-INFO.



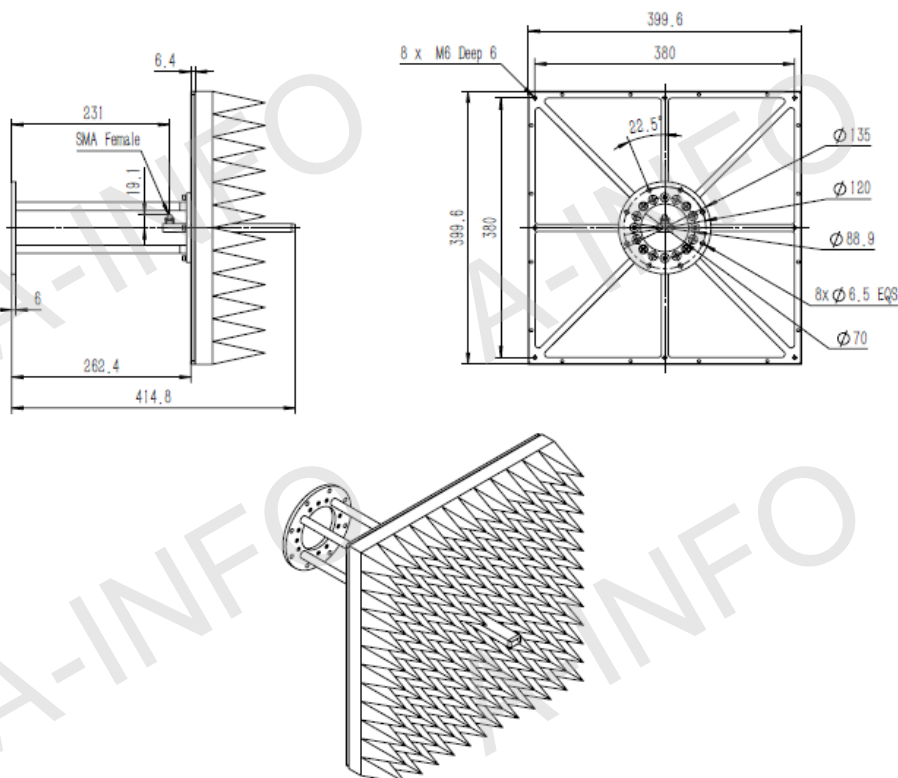
75EWGS-A1 (With SMA-Female Output, Equipped with Absorber)

For N-Female, TNC-Female, 7mm or 3.5mm-Female output outline drawing, please contact A-INFO.



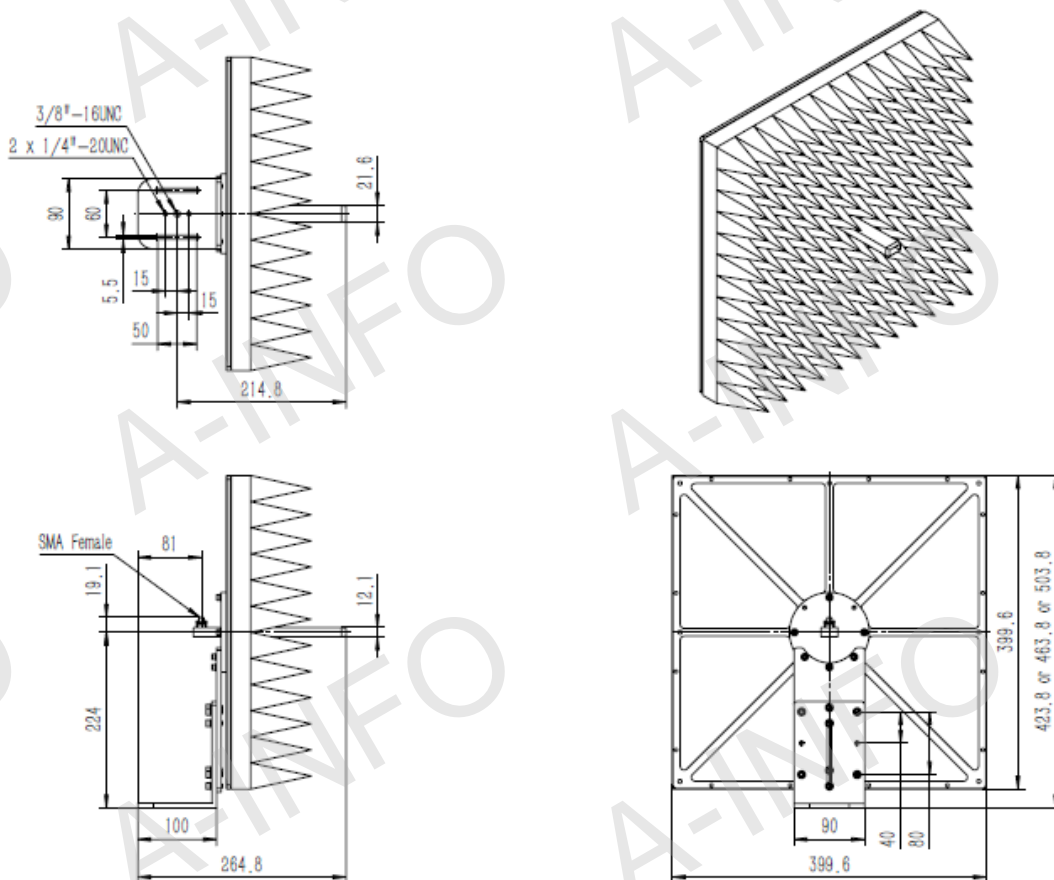
75EWGS-A1 (With SMA-Female Output & Round Mounting Bracket, Equipped with Absorber)

For N-Female, TNC-Female, 7mm or 3.5mm-Female output outline drawing, please contact A-INFO.



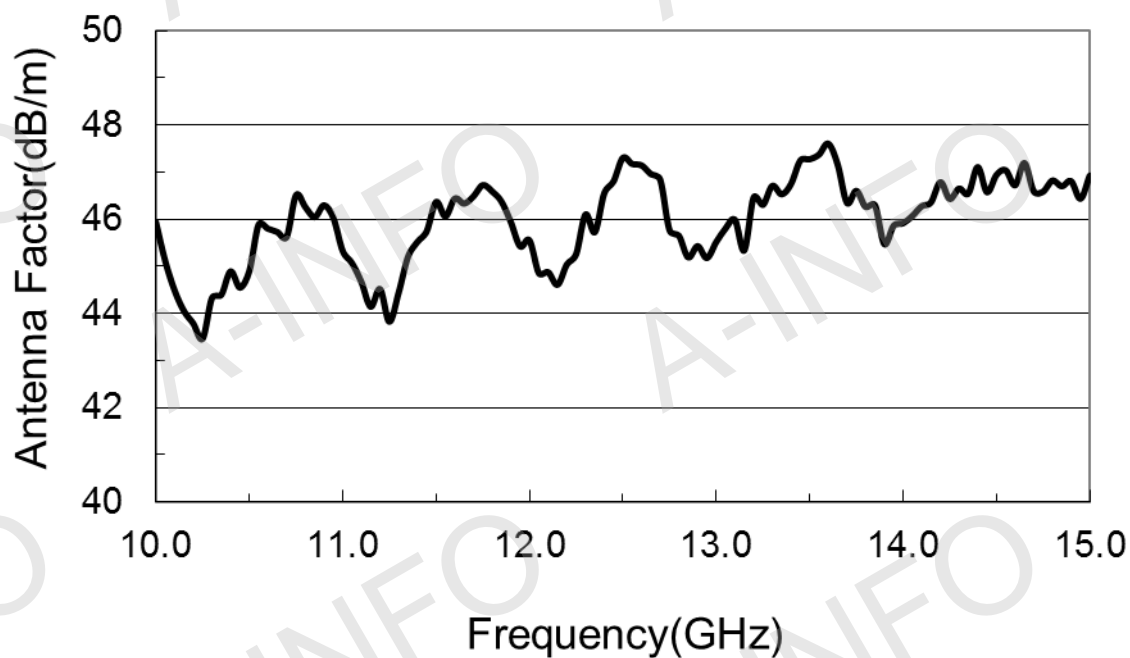
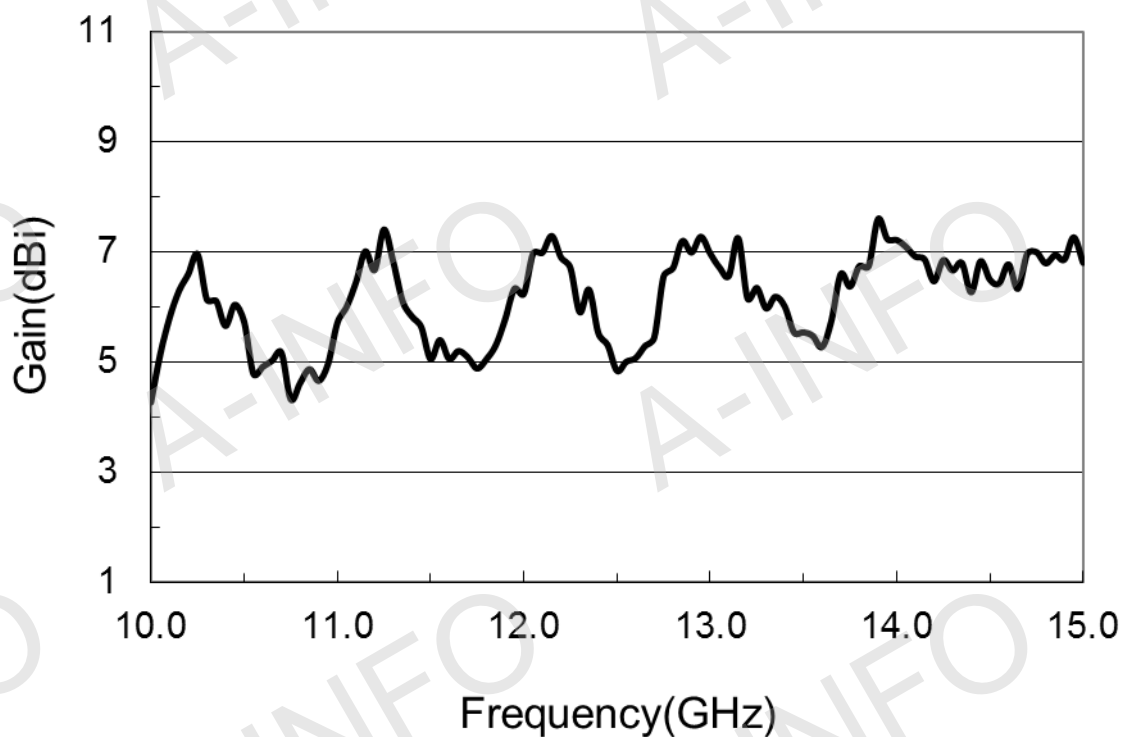
75EWGS-A1 (With SMA-Female Output & L Type Mounting Bracket, Equipped with Absorber)

For N-Female, TNC-Female, 7mm or 3.5mm-Female output outline drawing, please contact A-INFO.



Test Results

1. Gain & Antenna Factor



2. VSWR

