

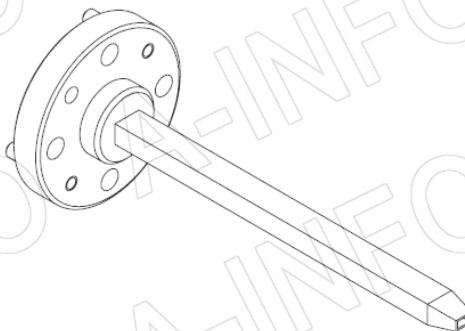
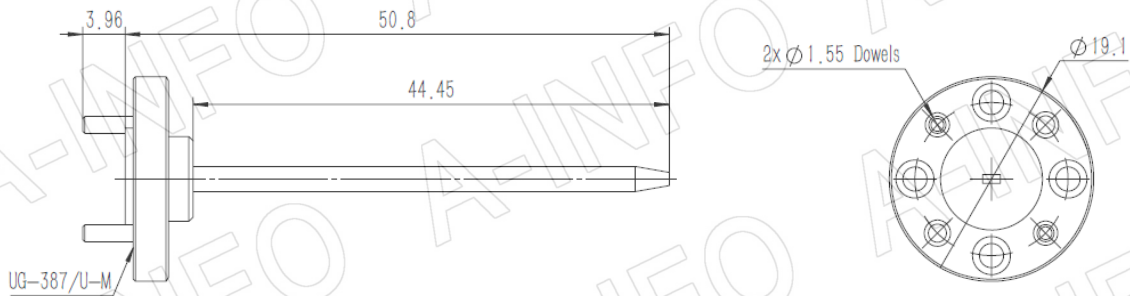
Technical Specification



Frequency Range(GHz)	110.0 - 170.0
Waveguide	WR6
Gain(dBi)	6 Typ.
Polarization	Linear
3dB Beamwidth(deg)	E Plane: 87 Typ.
	H Plane: 60 Typ.
Cross Pol. Isolation(dB)	30 Typ.
VSWR	1.5:1 Typ.
Output	UG-387/U-M
Material	Cu
Size(mm)	19.1 x 19.1 x 50.8
Net Weight(Kg)	0.01 Around

Outline Drawing (Size: mm)

UG-387/U-M Output (P/N: 6EWG)



AINFO Inc.

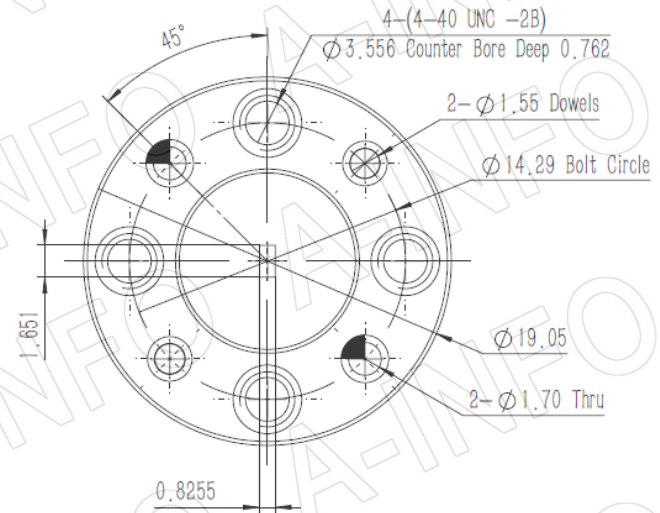
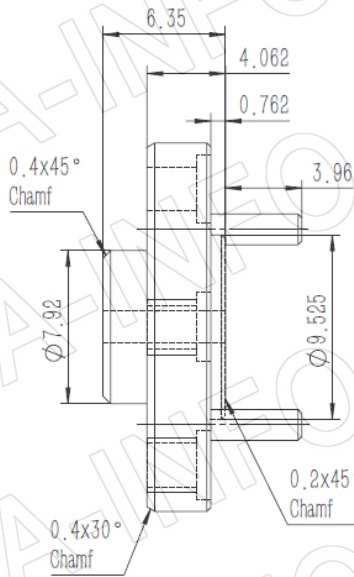
Page 1 of 4

China(Beijing): Tel: (+86) 10-6266-7326,
China(Chengdu): Tel: (+86) 28-8519-2786,
USA : Tel: (+1) 949-639-9688,

(+86) 10-6266-7327 Fax: (+86) 10-6266-7379
(+86) 28-8519-3044 Fax: (+86) 28-8519-3068
(+1) 949-639-9608 Fax: (+1) 949-639-9670

Website: www.ainfoinc.com
Email: sales@ainfoinc.com

Flange Drawing (Size: mm)



UG-387/U-M

AINFO Inc.

Page 2 of 4

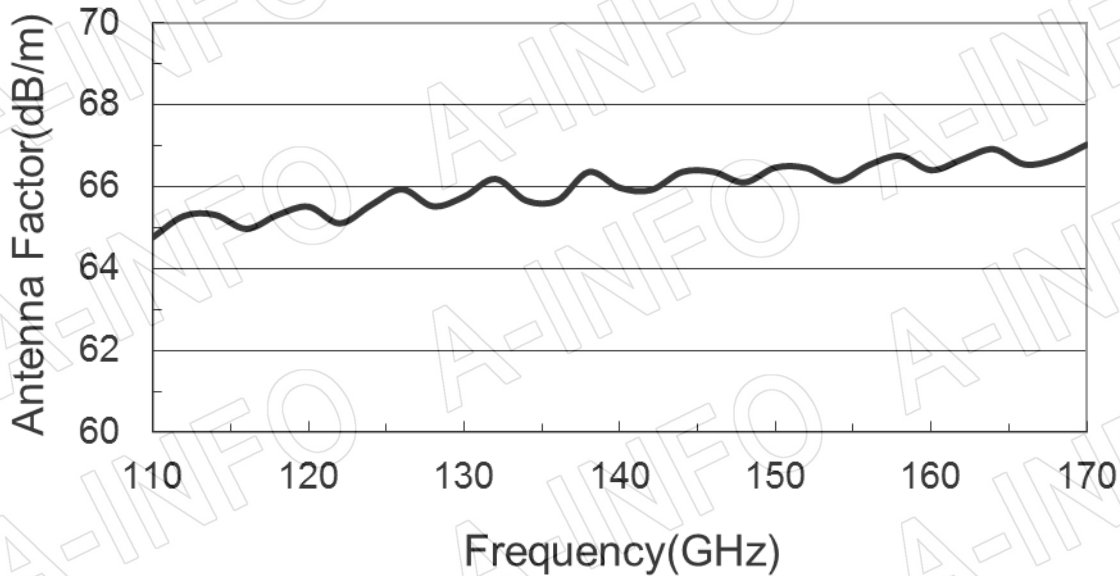
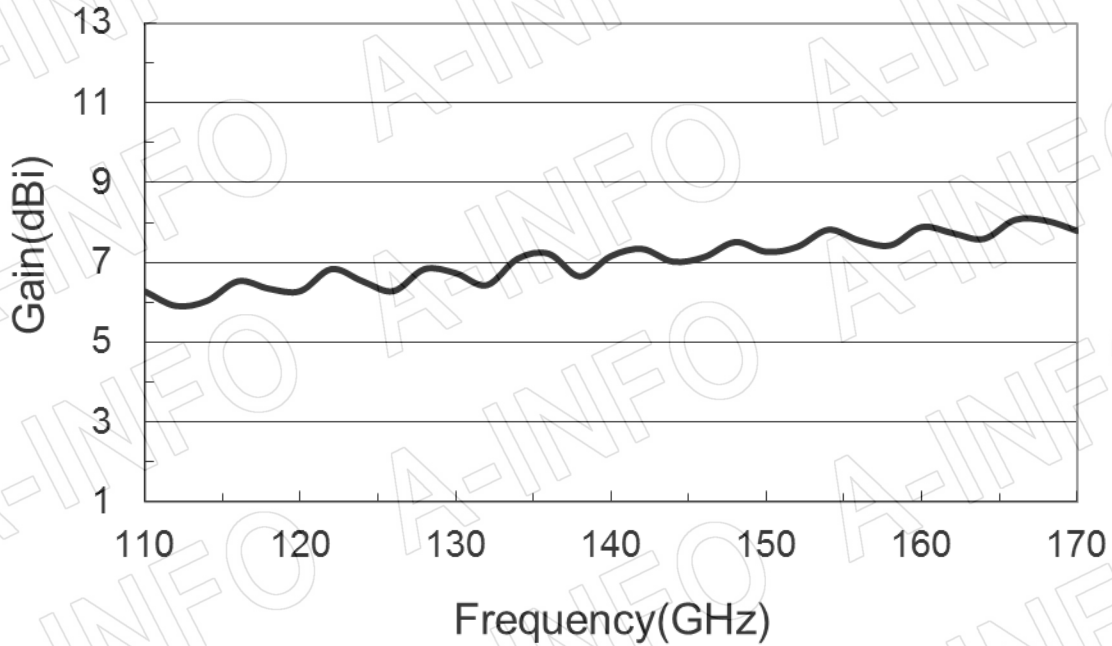
China(Beijing): Tel: (+86) 10-6266-7326,
China(Chengdu): Tel: (+86) 28-8519-2786,
USA: Tel: (+1) 949-639-9688,

(+86) 10-6266-7327 Fax: (+86) 10-6266-7379
(+86) 28-8519-3044 Fax: (+86) 28-8519-3068
(+1) 949-639-9608 Fax: (+1) 949-639-9670

Website: www.ainfoinc.com
Email: sales@ainfoinc.com

Test Results

1. Gain & Antenna Factor



2. Pattern

