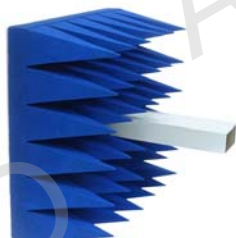


Technical Specification

650EWGN



650EWGN-A1

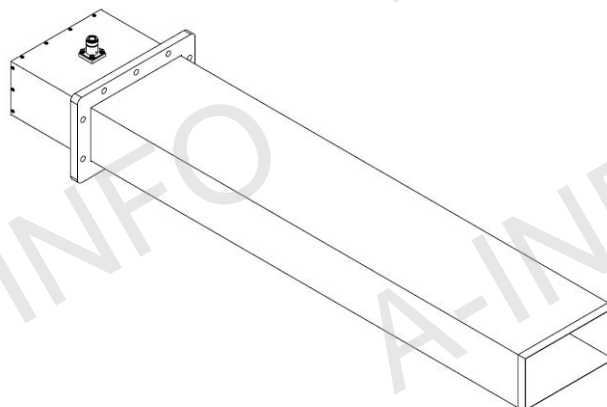
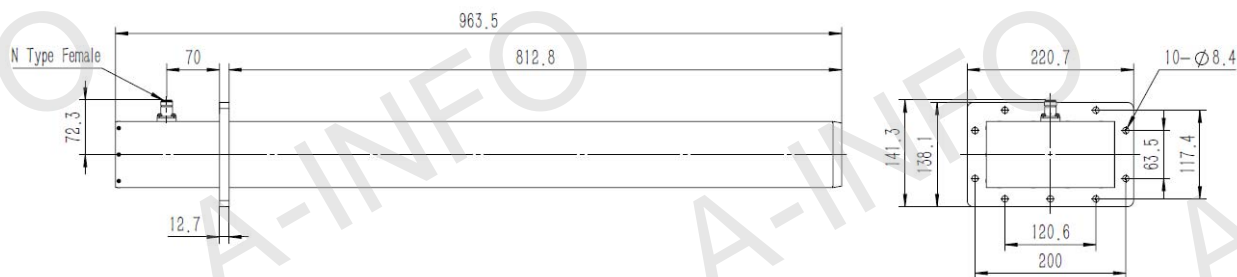


Frequency Range(GHz)	1.12 - 1.70	
Waveguide	WR650	
Gain(dBi)	5 Typ.	
Polarization	Linear	
3dB Beamwidth(deg)	E Plane:	98 Typ.
	H Plane:	67 Typ.
Cross Pol. Isolation(dB)	30 Typ.	
VSWR	2.0:1 Typ.	
Output	N-Female or SMA-Female or 7/16-Female	
Material	Al	
Size(mm)	650EWG:	220.7 x 141.3 x 963.5
	650EWG-A1:	600 x 600 x 963.5
Net Weight(Kg)	650EWG:	3.30 Around
	650EWG-A1:	9.90 Around

Outline Drawing (Size: mm)

N-Female Output (P/N: 650EWGN)

For SMA-Female or 7/16-Female output outline drawing, please contact A-INFO.



AINFO Inc.

China(Beijing):
China(Chengdu):
USA :

Tel: (+86) 10-6266-7326,
Tel: (+86) 28-8519-2786,
Tel: (+1) 949-639-9688,

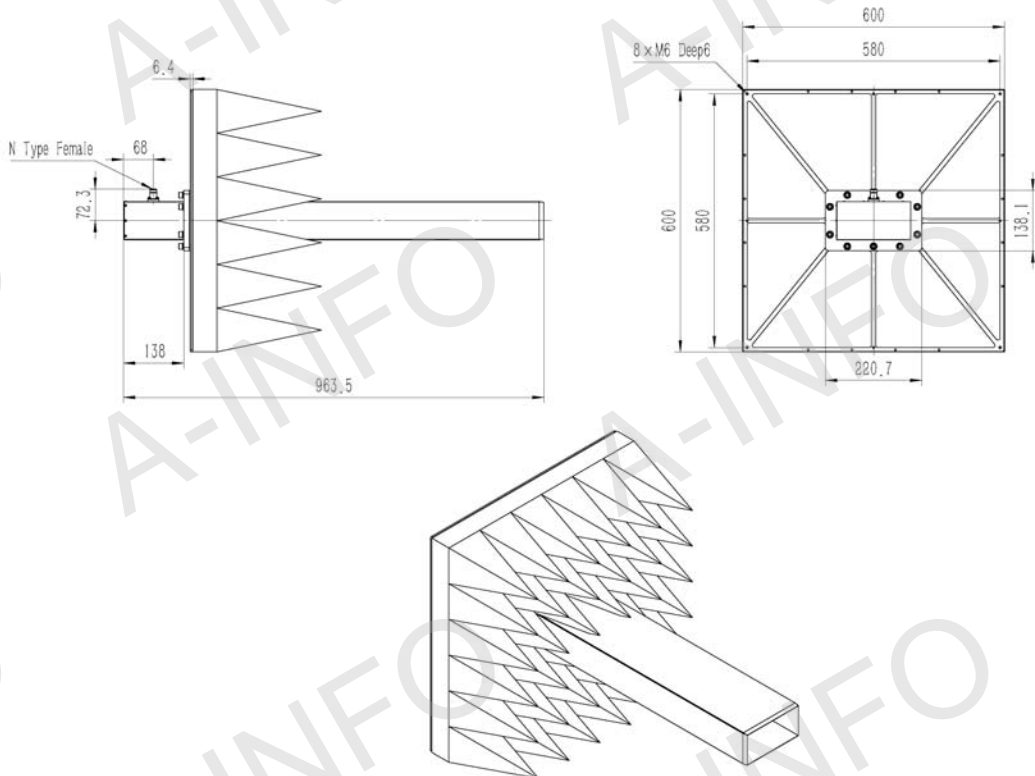
(+86) 10-6266-7327
(+86) 28-8519-3044
(+1) 949-639-9608

Page 1 of 3
Fax: (+86) 10-6266-7379
Fax: (+86) 28-8519-3068
Fax: (+1) 949-639-9670

Website: www.ainfoinc.com
Email: sales@ainfoinc.com

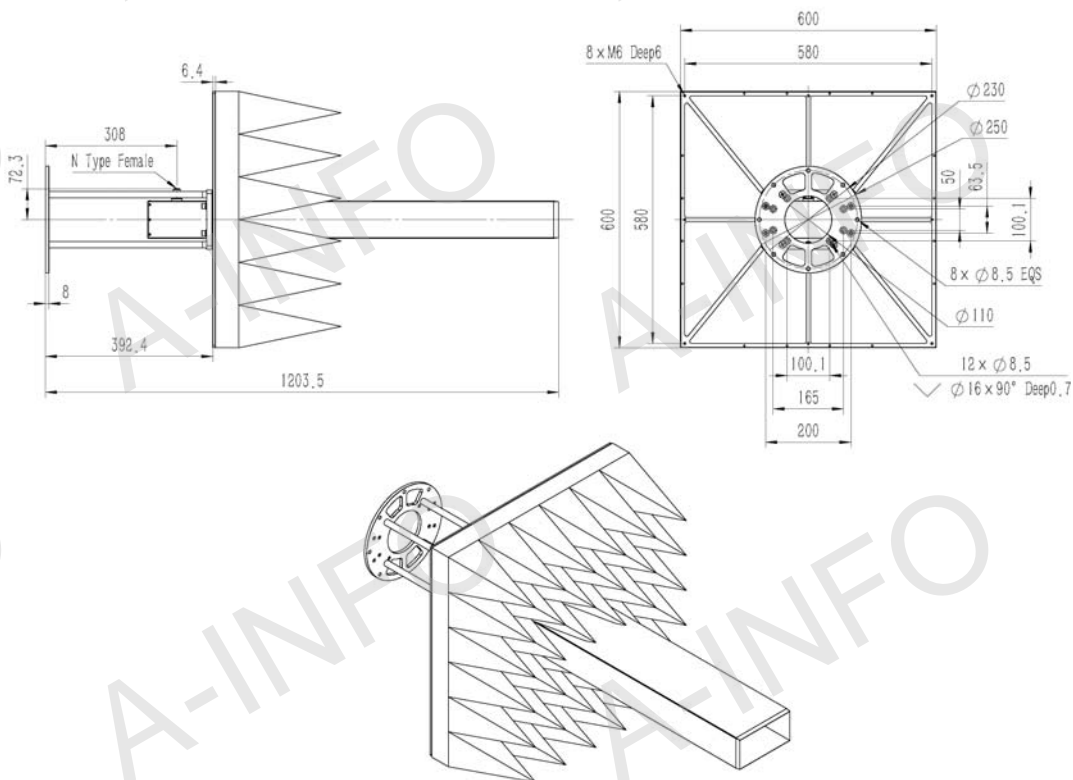
N-Female Output, Equipped with Absorber (Option, P/N: 650EWGN-A1)

For SMA-Female or 7/16-Female output outline drawing, please contact A-INFO.



N-Female Output with Round Mounting Bracket & Equipped with Absorber (Option, P/N: EWG-MB60 & 650EWGN-A1)

For SMA-Female or 7/16-Female output outline drawing, please contact A-INFO.



Test Results

VSWR

