

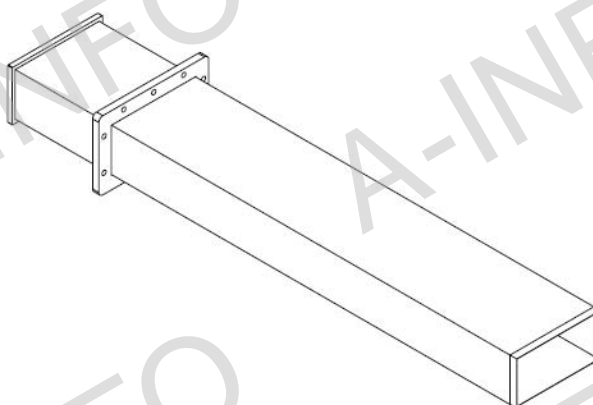
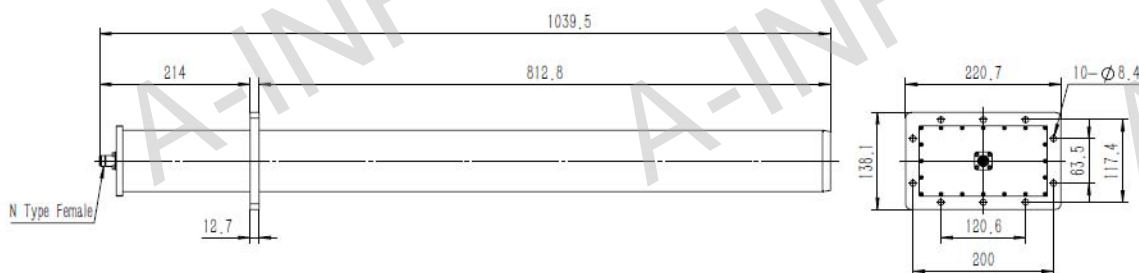
## Technical Specification

Frequency Range(GHz)	1.12 - 1.70
Waveguide	WR650
Gain(dBi)	5 Typ.
Polarization	Linear
3dB Beamwidth(deg)	E Plane: 98 Typ.
	H Plane: 67 Typ.
Cross Pol. Isolation(dB)	30 Typ.
VSWR	2.0:1 Typ.
Output	Endlaunch N-Female
Material	Al
Size(mm)	220.7 x 138.1 x 1039.5
Net Weight(Kg)	4.65 Around



## Outline Drawing (Size: mm)

650EWGEN (With Endlaunch N-Female Output)



## Test Results

### VSWR

